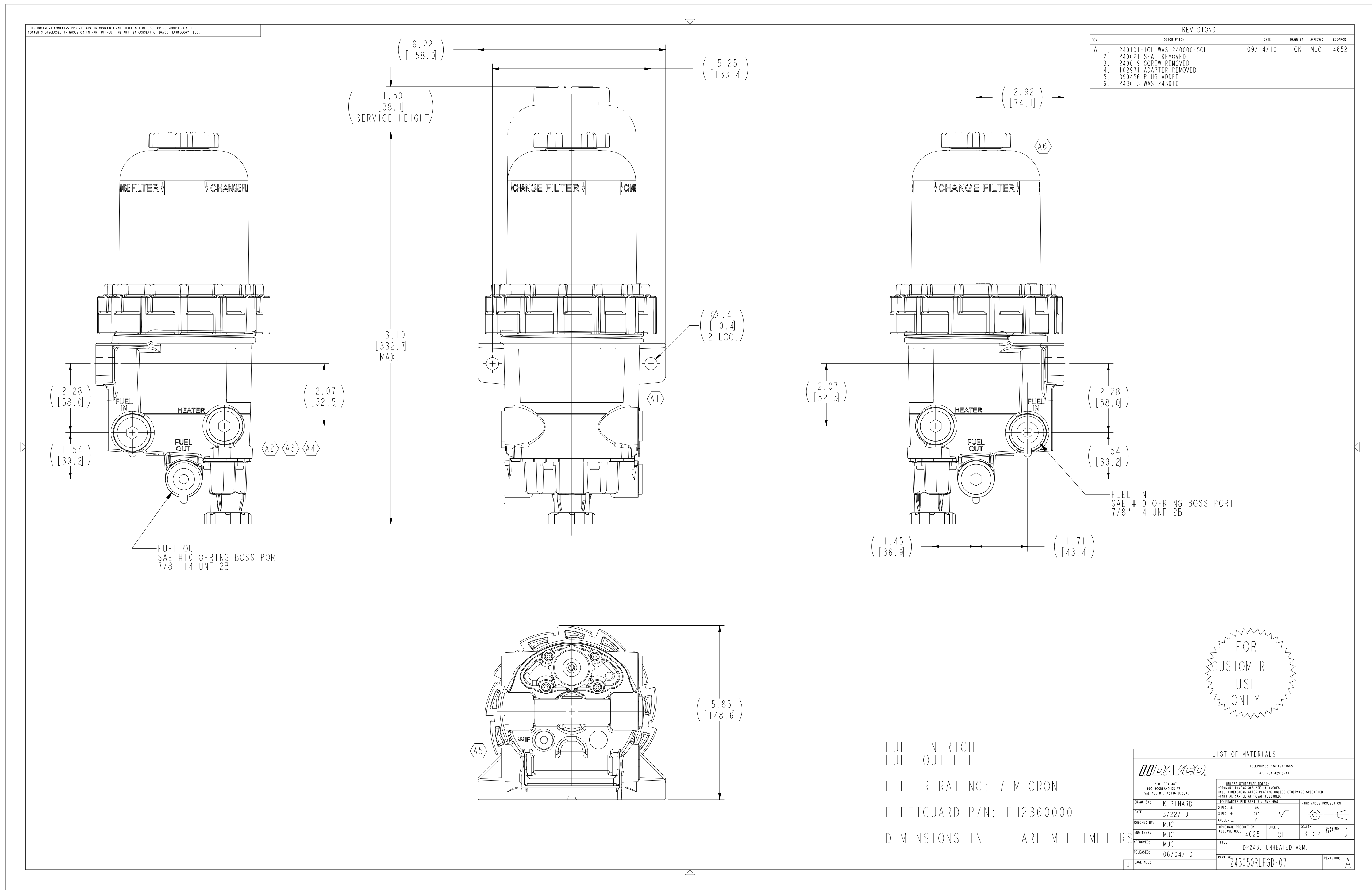


NOTE:  
1. DRAWING INTERPRETATION PER ASME Y14.5M-1994.

REVISIONS				
REVISION	REL. NO	DESCRIPTION	DWN	DATE
A	P64937	RELEASED TO PRODUCTION	PVM	2009-10-16
B	P76640	UPDATED DAVCO DRAWING; UPDATED NOTE 1	TKN	2011/02/22



REV.	DESCRIPTION	DATE	DRWN BY	APPRD	EQUIPO
A	1. 240101-ICL WAS 240000-SCL	09/14/10	GK	MJC	4652
	2. 240021 SEAL REMOVED				
	3. 240019 SCREW REMOVED				
	4. 102911 ADAPTER REMOVED				
	5. 390456 PLUG ADDED				
	6. 243013 WAS 243010				

**SUPPLIER DRAWING**

ONLY THE SUPPLIER MAY  
REVISE THIS DRAWING.

THIS DRAWING AND THE  
INFORMATION CONTAINED  
THEREIN ARE FOR THE USE  
OF CUMMINS FILTRATION ONLY AND  
SHALL NOT BE DISCLOSED  
TO ANY THIRD PARTY.

FOR  
CUSTOMER  
USE  
ONLY

FUEL IN RIGHT  
FUEL OUT LEFT

FILTER RATING: 7 MICRON

FLEETGUARD P/N: FH2360000

DIMENSIONS IN [ ] ARE MILLIMETERS

LIST OF MATERIALS	
<b>DAVCO</b> P.O. BOX 487 100 WINDLAND DRIVE SALEM, WI. 53178 U.S.A. TEL: 734-429-5000 FAX: 734-429-0741	UNLESS OTHERWISE NOTED: DIMENSIONS ARE IN INCHES. ALL DIMENSIONS AFTER PLATING UNLESS OTHERWISE SPECIFIED. FINISHES UNLESS OTHERWISE SPECIFIED.
DRAWN BY: K. PINARD DATE: 3/22/10 CHECKED BY: MJC APPROVED BY: MJC RELEASED: 06/04/10	TOLERANCES UNLESS NOTED: X ±.1 XX ±0.5 XXX ±0.13 ANGLES ± 1° CRITICAL CRITIQUE MAJOR MAJEUR MINOR MINEUR THIRD ANGLE PROJECTION UNLESS OTHERWISE SPECIFIED 1 OF 1 SHEET SCALE: 3 : 4 DRAWING NO: DP243, UNHEATED ASM. PART NO: 243050R1FGD-07 REVISION: A

DIMENSIONS IN [ ] ARE INCHES

PRO/I RELEASE:		PRO/I VERSION:	
REVISE ON PRO-E ONLY DO NOT SCALE	UNLESS OTHERWISE SPECIFIED, ALL DIMENSIONS ARE IN MILLIMETERS	MODIFICATION SUR CAO UNIQUEMENT SANS PROPORTIONS	TOUTES LES DIMENSIONS SONT EN mm SAUF SPECIFICATIONS CONTRAIRES
TOLERANCES UNLESS NOTED: TOLERANCES GENERALES: X ±.1 XX ±0.5 XXX ±0.13	ANGLES ± 1°	CLASSIFICATION OF CHARACTERISTICS REF. FGD 1-04 or FOP 1-04	CRITICAL CRITIQUE MAJOR MAJEUR MINOR MINEUR
DR. BY: PVM	DATE: 2009-10-16	CK. BY: SAB	DATE: 2009-10-16
FAIT PAR: PVM	VER PAR: SAB	APPV: *	DATE: *
SECTION CODE: CODE MATIERE: FSX000	THIS DOCUMENT (AND THE INFORMATION SHOWN THEREON) IS CONFIDENTIAL AND PROPRIETARY AND SHALL NOT BE DISCLOSED TO OTHERS IN HARD COPY OR ELECTRONIC FORM, REPRODUCED BY ANY MEANS, OR USED FOR ANY PURPOSE WITHOUT WRITTEN CONSENT OF CUMMINS FILTRATION.		
CONTROL: CONTROLE: CKV			
MAINT. LOC: LIEU MAINT: CKV	NAME PAC, FS		
DWG. SIZE: FORMAT: D	DWG. NO. FH2360000		
LAST DATUM: DERN. REF.: --			
LAST SECTION: DERN. SECTION: --			
SCALE ECHELLE 1 : 1			
SHEET 1 OF 1			