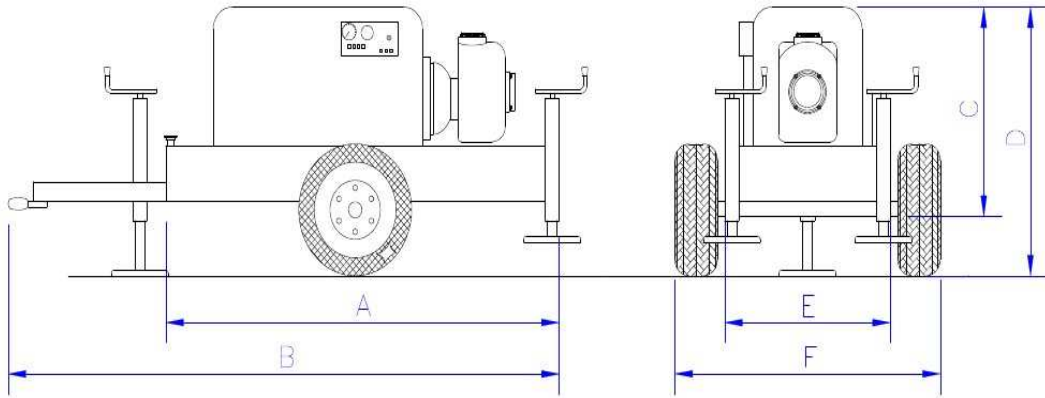




DIMENSIONI E PESI / DIMENSIONS AND BULK WEIGHTS



Modello	Serbatoio (Lt)	A mm	B mm	C mm	D mm	E mm	F mm	Peso (Kg)
MTA2-50-LD	80	1550	2300	950	1200	800	1160	190-260
MTA3-80-LD	80	1550	2300	1050	1300	800	1160	400
MTA2-80-LD	80	1550	2300	950	1200	800	1160	190-260
MTA2-100-LD	80	1550	2300	950	1200	800	1160	190-260
MTA2-100-VM	80	1550	2300	950	1200	800	1160	190-260
MTA3T-100-VM	120	2300	3000	1450	1700	800	1160	850
MTA3-125-LD	80	1550	2300	1050	1300	800	1160	400
MTA2-150-VM	80	1550	2300	950	1200	800	1160	190-260
MTA3T-200-VM	120	2300	3000	1450	1700	800	1160	850
MTA3T-250-VM	120	2300	3000	1450	1700	800	1160	850
MTA6-300A-DZ	330	2700	3700	1600	1900	1000	1480	2100
MTA6-300B-DZ	330	2700	3700	1600	1900	1000	1480	2100
Model	Fuel tank (Lt)	mm A	mm B	mm C	mm D	mm E	mm F	(Kg) Weight