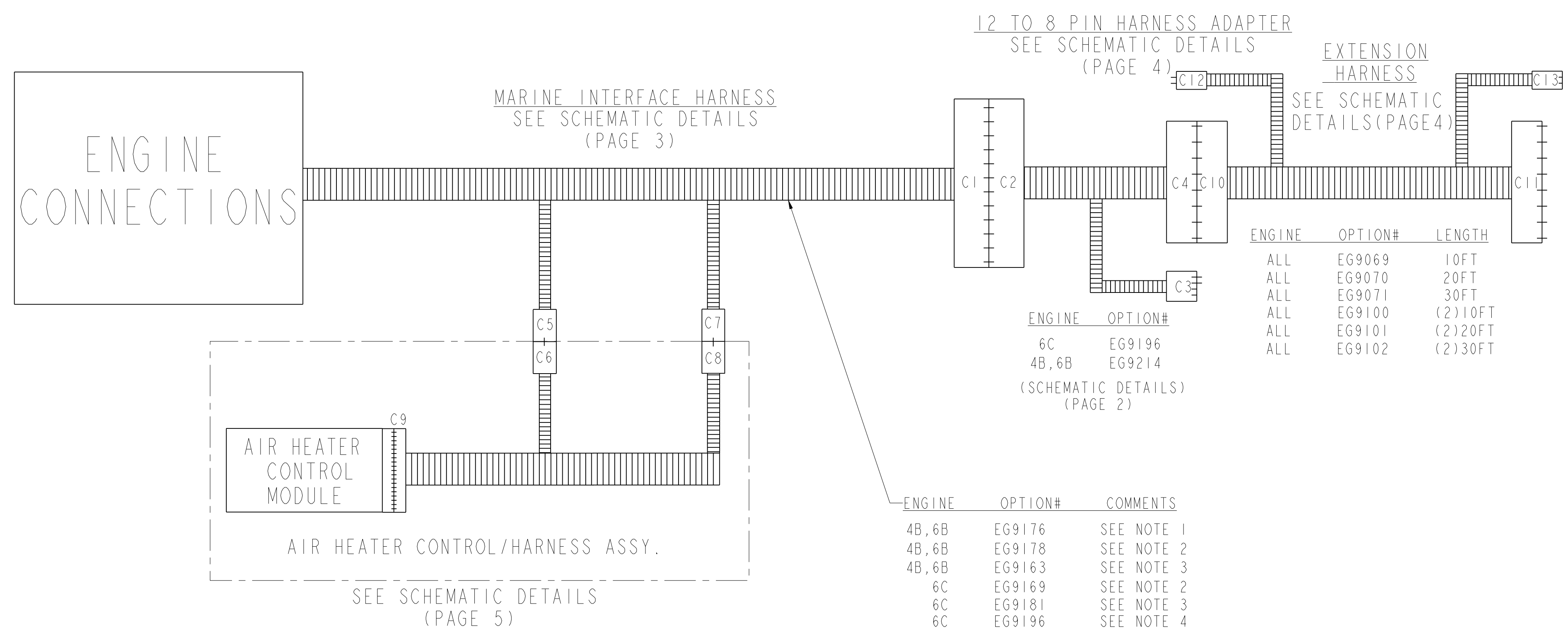


REVISIONS				
REV	DESCRIPTION	DRAWN	CHECKER	APPROVAL
00	030700-014 RELEASED	J. ROPER	J. R. R.	

- NOTES:
- SUPPLIED WITH DUAL STATION AMERICAN (240-33Ω) SENDING UNITS & SOLENOID CONNECTION HARNESS.
  - SUPPLIED WITH SINGLE STATION AMERICAN (240-33Ω) SENDING UNITS.
  - SUPPLIED WITH DUAL STATION AMERICAN (240-33Ω) SENDING UNITS. NO SOLENOID CONNECTION HARNESS.
  - SUPPLIED WITH SINGLE STATION AMERICAN (240-33Ω) SENDING UNITS. SUPPLIED WITH 12 WAY TO 8 WAY CONVERTER HARNESS.



ENGINE	OPTION#	LENGTH
ALL	EG9069	10FT
ALL	EG9070	20FT
ALL	EG9071	30FT
ALL	EG9100	(2)10FT
ALL	EG9101	(2)20FT
ALL	EG9102	(2)30FT

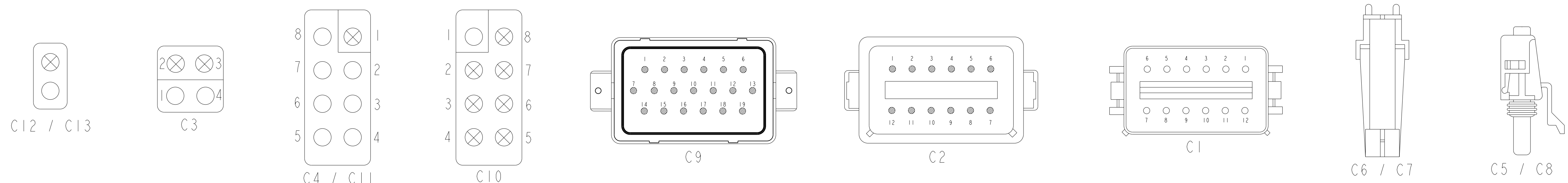
ENGINE	OPTION#	COMMENTS
6C	EG9196	
4B,6B	EG9214	

(SCHEMATIC DETAILS) (PAGE 2)

ENGINE	OPTION#	COMMENTS
4B,6B	EG9176	SEE NOTE 1
4B,6B	EG9178	SEE NOTE 2
4B,6B	EG9163	SEE NOTE 3
6C	EG9169	SEE NOTE 2
6C	EG9181	SEE NOTE 3
6C	EG9196	SEE NOTE 4

ENGINE	OPTION#	NOTES
6C	E19033,E19042	12V SWAC
6C	E19034,E19041	24V SWAC
6B	E19053	12V JWAC
6B	E19054	24V JWAC
6B	E19044	12V SWAC
4B	E19057	12V SWAC

REF NO.	SUPPLIER PART NO.	DESCRIPTION	COMMENTS
C1	DT06-12SA	12 CAVITY FEMALE	
C2	DT04-12P	12 POSITION PLUG (MALE)	
C3	4 WAY MOLDED	4 WAY MOLDED	2 MALE, 2 FEMALE POSITIONS
C4 / C11	8 WAY MOLDED	8 WAY MOLDED	1 MALE, 7 FEMALE POSITIONS
C5 / C8	1201-5791	1 WAY TOWER	FEMALE SOCKET
C6 / C7	1201-0996	1 WAY SHROUD	MALE PINS
C9	SLEB19P4SG	19 WAY CONNECTOR	MALE PINS
C10	8 WAY MOLDED	8 WAY MOLDED	1 FEMALE, 7 MALE POSITIONS
C12,C13	2 WAY MOLDED	2 WAY MOLDED	1 MALE, 1 FEMALE



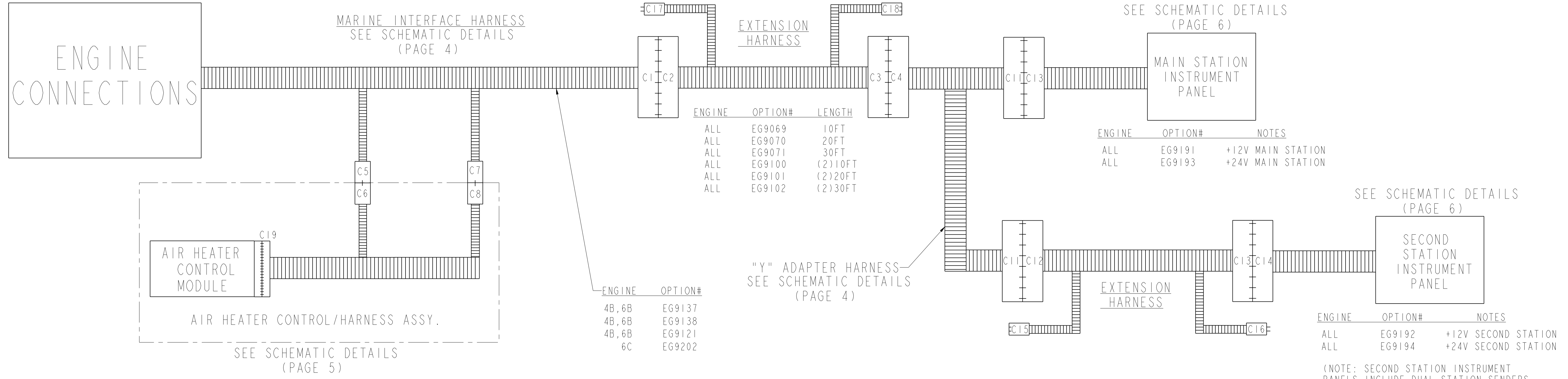
**NON ISOLATED GROUND CONFIGURATION**

THIS DOCUMENT (AND THE INFORMATION SHOWN THEREON) IS CONFIDENTIAL AND PROPRIETARY AND SHALL NOT BE DISCLOSED TO OTHERS IN HARD COPY OR ELECTRONIC FORM, REPRODUCED BY ANY MEANS, OR USED FOR ANY PURPOSE WITHOUT WRITTEN CONSENT OF CUMMINS INC.

**Cummins Inc.**

DIMENSIONING AND TOLERANCING PER ASME Y14.5M-1994		ITEM NAME: HARNESS, WIRING	
IDENTIFIER: DIAGRAM DRAWING		ITEM NUMBER: 4078702	
DRAWN: J. L. ROPER	CHECKER: J. R. RATTIGAN	SCALE: NONE	SHEET 1 OF 6

REVISIONS			
REV	DESCRIPTION	DRAFTER	CHECKER / APPROVAL
00	030700-014 RELEASED	22JAN03 J.ROPER	25FEB03 J.R.R.



ENGINE	OPTION#	LENGTH
ALL	EG9069	10FT
ALL	EG9070	20FT
ALL	EG9071	30FT
ALL	EG9100	(2)10FT
ALL	EG9101	(2)20FT
ALL	EG9102	(2)30FT

ENGINE	OPTION#	NOTES
ALL	EG9191	+12V MAIN STATION
ALL	EG9193	+24V MAIN STATION

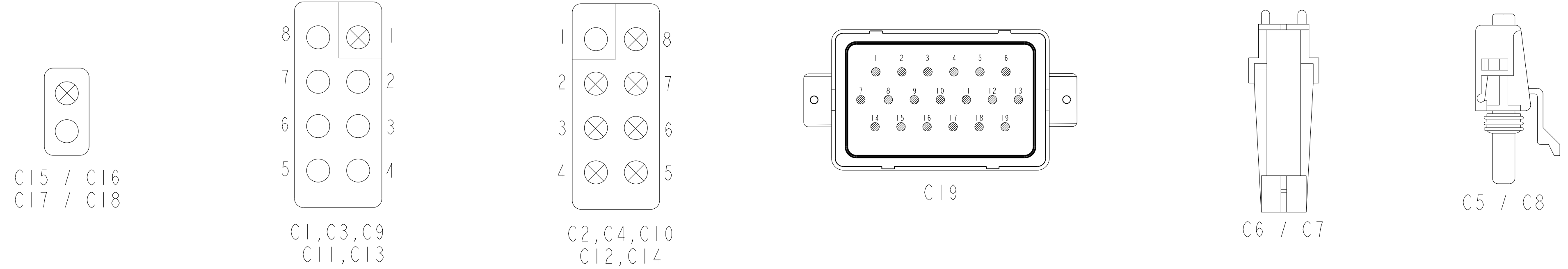
ENGINE	OPTION#
4B, 6B	EG9137
4B, 6B	EG9138
4B, 6B	EG9121
6C	EG9202

ENGINE	OPTION#	NOTES
ALL	EG9192	+12V SECOND STATION
ALL	EG9194	+24V SECOND STATION

(NOTE: SECOND STATION INSTRUMENT PANELS INCLUDE DUAL STATION SENDERS AND "Y" ADAPTER HARNESS SHOWN ABOVE)

ENGINE	OPTION#	NOTES
6C	E19033	12V NON ISOLATED
6C	E19034	24V NON ISOLATED
6C	E19041	24V ISOLATED
6C	E19042	12V ISOLATED
6B	E19053	12V JWAC
6B	E19054	24V JWAC
6B	E19044	12V SWAC
4B	E19057	12V SWAC

REF NO.	SUPPLIER PART NO.	DESCRIPTION	COMMENTS
C1, C3, C9, C11, C13		8 WAY MOLDED	1 MALE, 7 FEMALE
C2, C4, C10, C12, C14		8 WAY MOLDED	7 MALE, 1 FEMALE
C5, C8	1201-5791	1 WAY TOWER	FEMALE SOCKET
C6, C7	1201-0996	1 WAY SHROUD	MALE PINS
C15, C16, C17, C18		2 WAY MOLDED	1 MALE, 1 FEMALE
C19	SLEB19P4SG	19 WAY MOLDED	MALE PINS



# ISOLATED GROUND CONFIGURATION

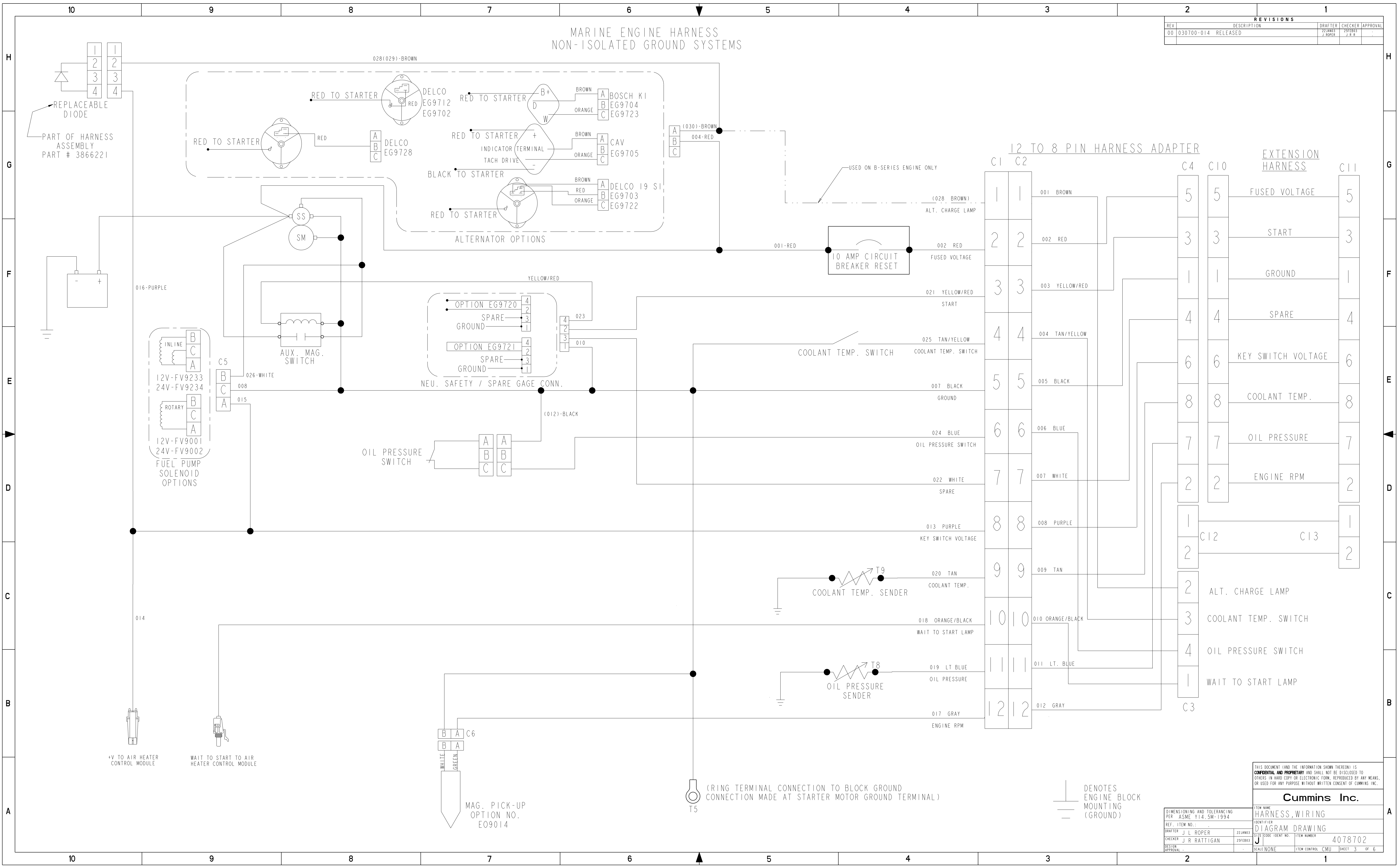
THIS DOCUMENT (AND THE INFORMATION SHOWN THEREON) IS CONFIDENTIAL AND PROPRIETARY AND SHALL NOT BE DISCLOSED TO OTHERS IN HARD COPY OR ELECTRONIC FORM, REPRODUCED BY ANY MEANS, OR USED FOR ANY PURPOSE WITHOUT WRITTEN CONSENT OF CUMMINS INC.

DIMENSIONING AND TOLERANCING PER ASME Y14.5M-1994		ITEM NAME: HARNESS, WIRING	
IDENTIFIER: DIAGRAM DRAWING		ITEM NUMBER: 4078702	
DRAFTER: J. L. ROPER	CHECKER: J. R. RATTIGAN	SCALE: NONE	ITEM CONTROL: CMU
SHEET: 2		OF: 6	

Cummins Inc.

# MARINE ENGINE HARNESS NON-ISOLATED GROUND SYSTEMS

REVISIONS			
REV	DESCRIPTION	DRAFTER	CHECKER
00	030700-014 RELEASED	22JAN03 J. ROPER	25FEB03 J. R.B.



THIS DOCUMENT (AND THE INFORMATION SHOWN THEREON) IS CONFIDENTIAL AND PROPRIETARY AND SHALL NOT BE DISCLOSED TO OTHERS IN HARD COPY OR ELECTRONIC FORM, REPRODUCED BY ANY MEANS, OR USED FOR ANY PURPOSE WITHOUT WRITTEN CONSENT OF CUMMINS INC.

**Cummins Inc.**

DIMENSIONING AND TOLERANCING PER ASME Y14.5M-1994		ITEM NAME: HARNESS, WIRING	
REF. ITEM NO.:		IDENTIFIER: DIAGRAM DRAWING	
DRAFTER: J. L. ROPER	22JAN03	SCALE: NONE	ITEM CONTROL: CMU
CHECKER: J. R. RATTIGAN	25FEB03	ITEM NUMBER: 4078702	
DESIGN APPROVAL:		SHEET 3 OF 6	

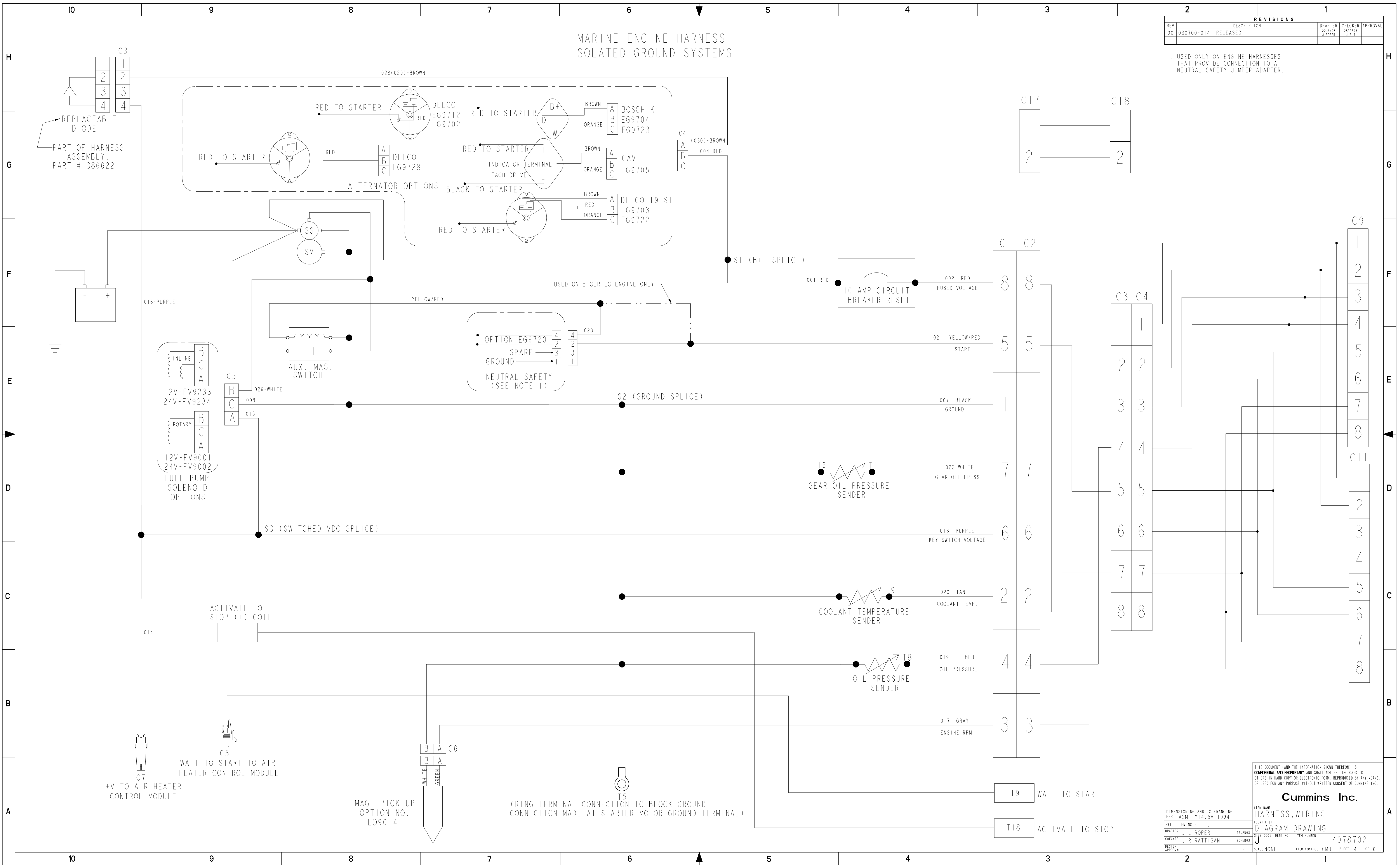
⏏ DENOTES ENGINE BLOCK MOUNTING (GROUND)

⦿ (RING TERMINAL CONNECTION TO BLOCK GROUND CONNECTION MADE AT STARTER MOTOR GROUND TERMINAL)

# MARINE ENGINE HARNESS ISOLATED GROUND SYSTEMS

REVISIONS			
REV	DESCRIPTION	DRAFTER	CHECKER
00	030700-014 RELEASED	J. ROPER	J. R. R.

1. USED ONLY ON ENGINE HARNESSSES THAT PROVIDE CONNECTION TO A NEUTRAL SAFETY JUMPER ADAPTER.



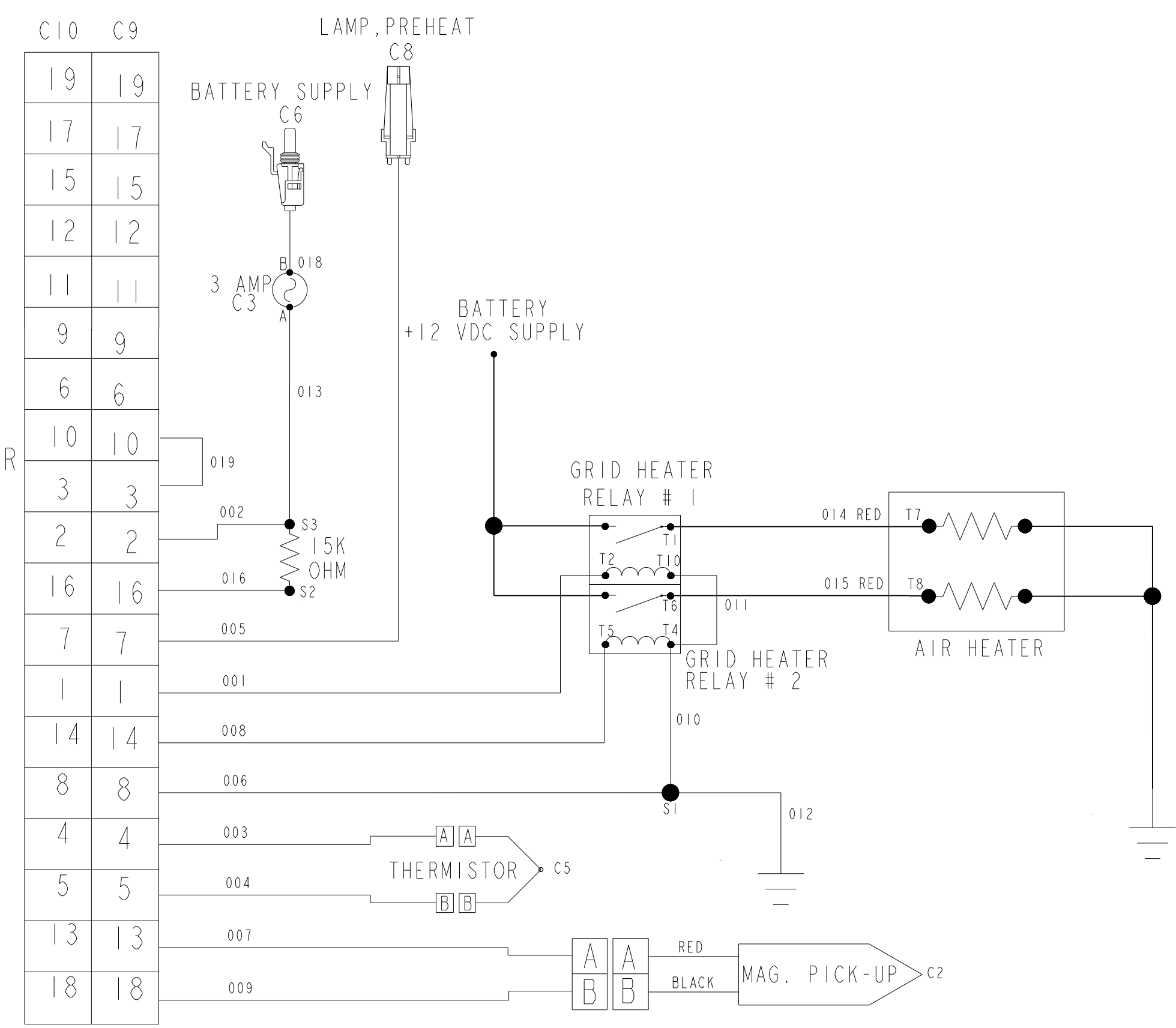
DIMENSIONING AND TOLERANCING PER ASME Y14.5M-1994		ITEM NAME: HARNESS, WIRING	
REF. ITEM NO.:		IDENTIFIER: DIAGRAM DRAWING	
DRAFTER: J. L. ROPER	22JAN03	SCALE: NONE	ITEM NUMBER: 4078702
CHECKER: J. R. RATTIGAN	25FEB03	ITEM CONTROL: CMU	SHEET: 4 OF 6
DESIGN APPROVAL:			

THIS DOCUMENT (AND THE INFORMATION SHOWN THEREON) IS CONFIDENTIAL AND PROPRIETARY AND SHALL NOT BE DISCLOSED TO OTHERS IN HARD COPY OR ELECTRONIC FORM, REPRODUCED BY ANY MEANS, OR USED FOR ANY PURPOSE WITHOUT WRITTEN CONSENT OF CUMMINS INC.

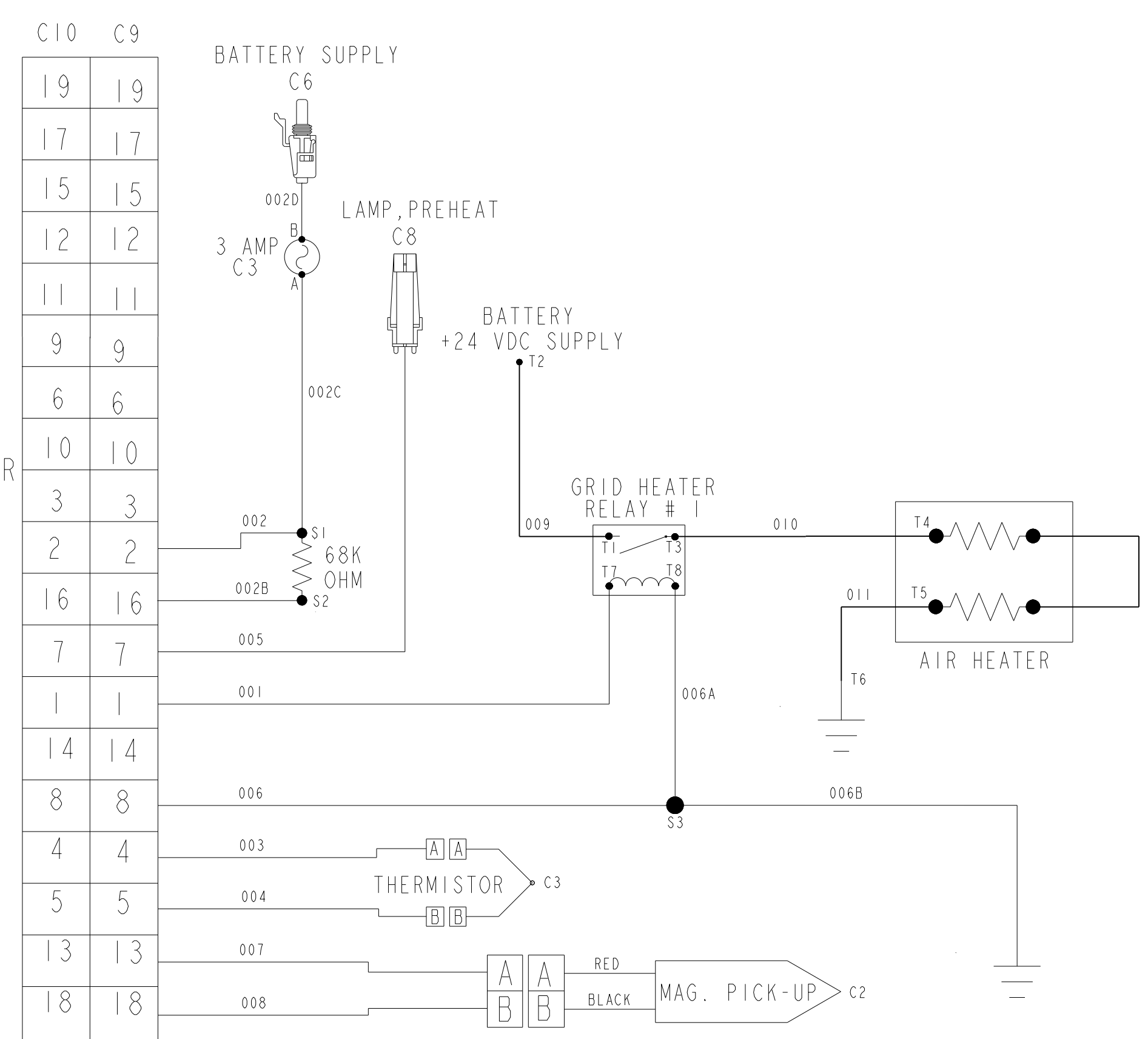
**Cummins Inc.**

REVISIONS			
REV	DESCRIPTION	DRAFTER	CHECKER
00	030700-014 RELEASED	22JAN83 J. ROPER	25FEB83 J. R. R.

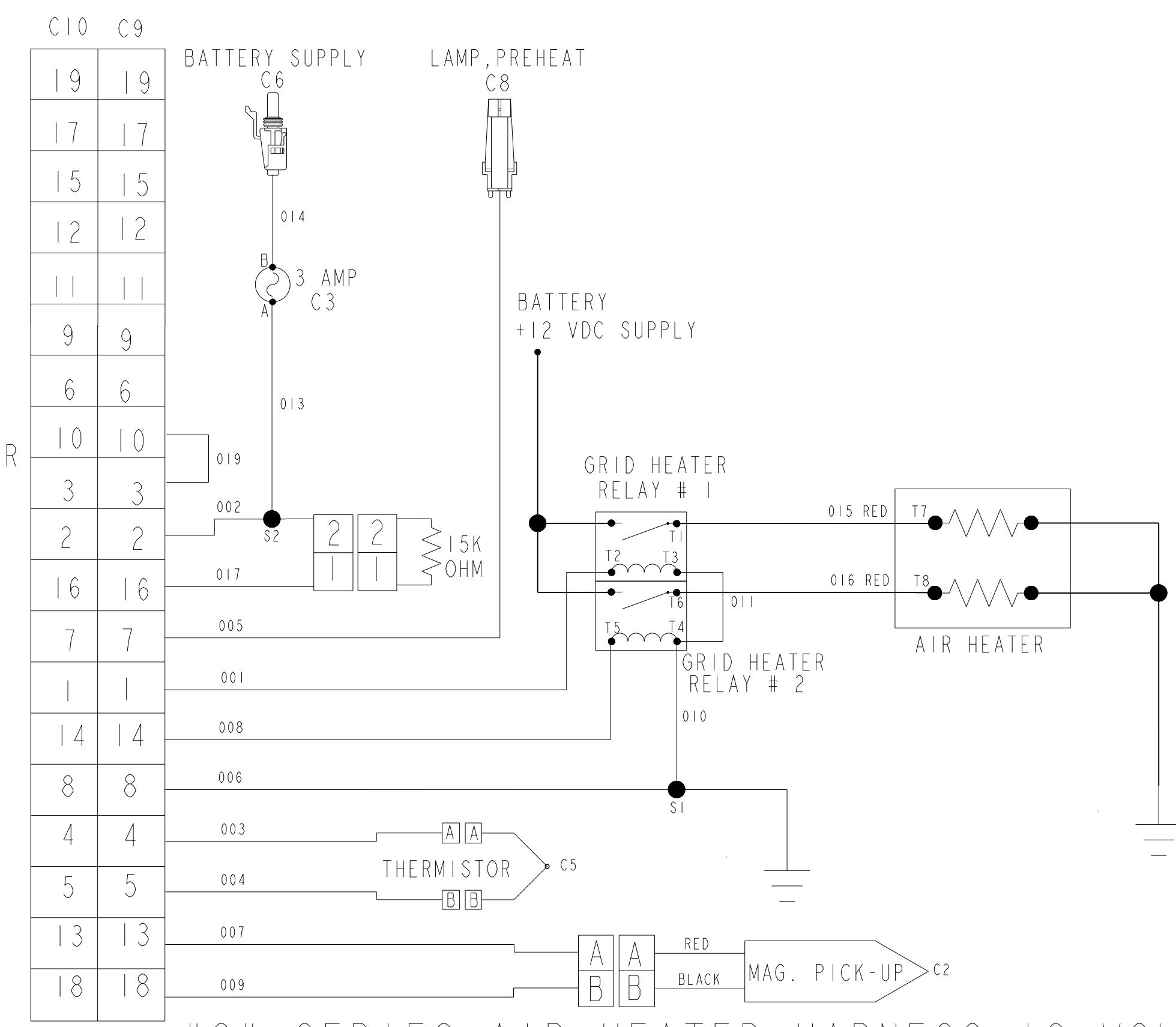
- B-SERIES HARNESS HAS RESISTOR BUILT INTO THE HARNESS. C-SERIES HARNESS HAS RESISTOR PLUG ASSEMBLY FOR TWO DIFFERENT RESISTOR VALVES REQUIRED.
- MAGNETIC PICKUP MOUNTED IN FLYWHEEL HOUSING. DUAL COIL PICKUP WITH ONE COIL USED TO DRIVE ENGINE TACHOMETER.



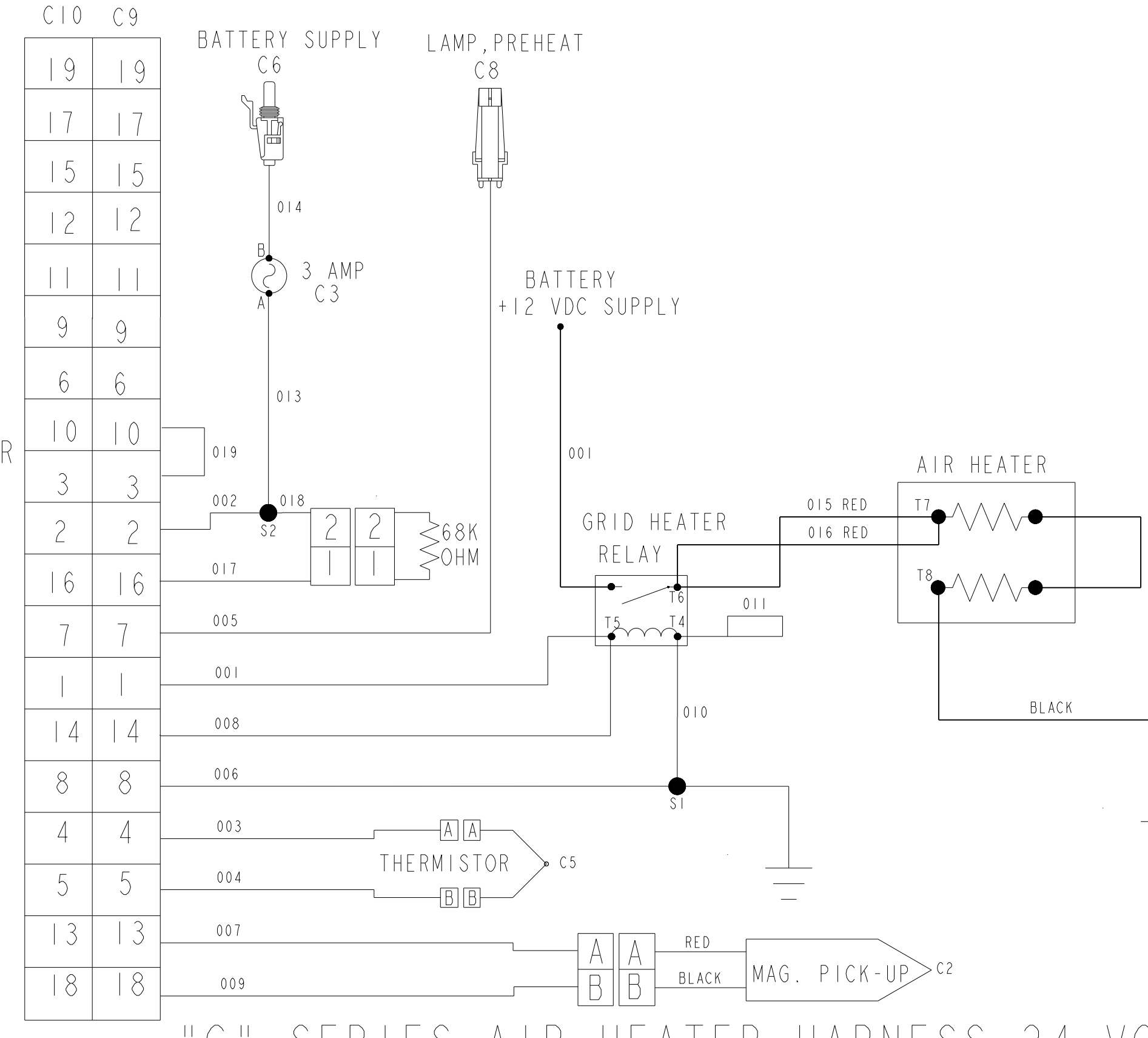
"B" SERIES AIR HEATER HARNESS-12 VOLT



"B" SERIES AIR HEATER HARNESS-24 VOLT



"C" SERIES AIR HEATER HARNESS-12 VOLT



"C" SERIES AIR HEATER HARNESS-24 VOLT

THIS DOCUMENT (AND THE INFORMATION SHOWN THEREON) IS CONFIDENTIAL AND PROPRIETARY AND SHALL NOT BE DISCLOSED TO OTHERS IN HARD COPY OR ELECTRONIC FORM, REPRODUCED BY ANY MEANS, OR USED FOR ANY PURPOSE WITHOUT WRITTEN CONSENT OF CUMMINS INC.

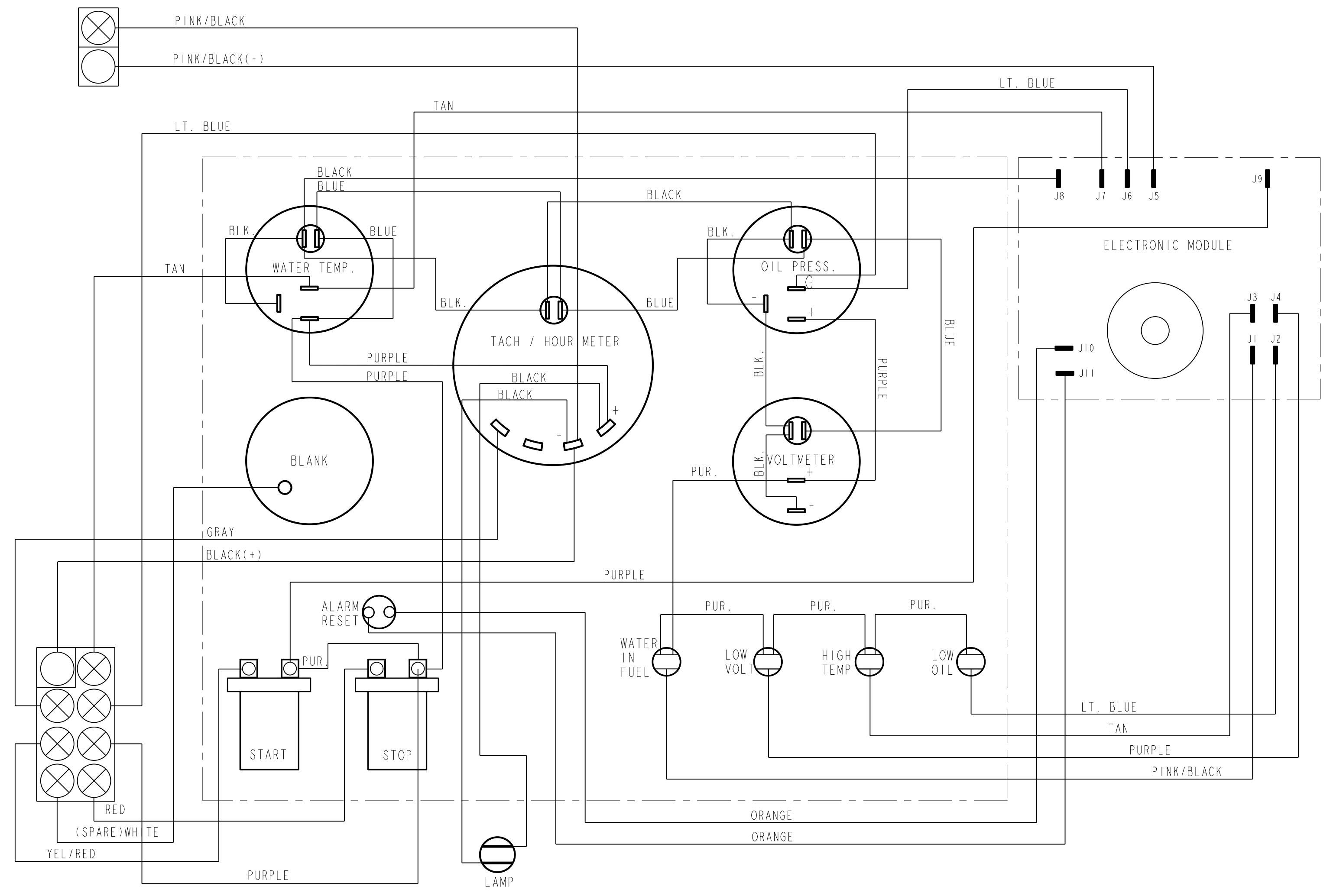
**Cummins Inc.**

ITEM NAME: HARNESS, WIRING  
IDENTIFIER: DIAGRAM DRAWING  
ITEM NUMBER: 4078702

DIMENSIONING AND TOLERANCING PER ASME Y14.5M-1994  
DRAFTER: J. L. ROPER  
CHECKER: J. R. RATTIGAN  
DESIGN APPROVAL: [Signature]

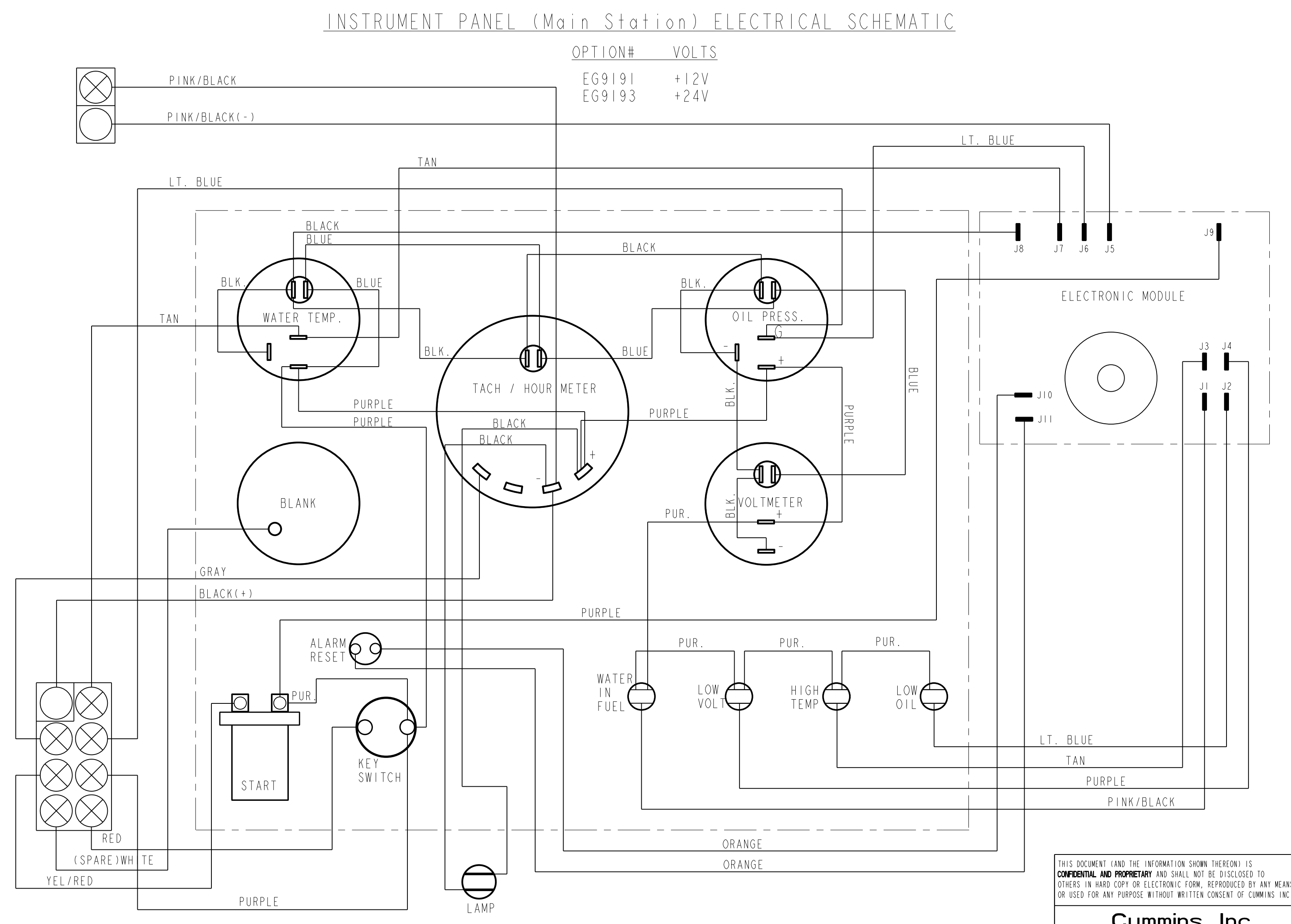
SCALE: NONE  
ITEM CONTROL: CMU  
SHEET 5 OF 6

REVISIONS			
REV	DESCRIPTION	DRAFTER	CHECKER
00	030700-014 RELEASED	22JAN83 J. ROPER	25FEB83 J. R.R.



INSTRUMENT PANEL (Second Station) ELECTRICAL SCHEMATIC

OPTION#	VOLTS
EG9192	+12V
EG9194	+24V



INSTRUMENT PANEL (Main Station) ELECTRICAL SCHEMATIC

OPTION#	VOLTS
EG9191	+12V
EG9193	+24V

THIS DOCUMENT (AND THE INFORMATION SHOWN THEREON) IS CONFIDENTIAL AND PROPRIETARY AND SHALL NOT BE DISCLOSED TO OTHERS IN HARD COPY OR ELECTRONIC FORM, REPRODUCED BY ANY MEANS, OR USED FOR ANY PURPOSE WITHOUT WRITTEN CONSENT OF CUMMINS INC.

DIMENSIONING AND TOLERANCING PER ASME Y14.5M-1994		ITEM NAME: HARNESS, WIRING	
REF. ITEM NO.:		IDENTIFIER: DIAGRAM DRAWING	
DRAFTER: J. L. ROPER	22JAN83	SIZE CODE: IDENT. NO.:	ITEM NUMBER: 4078702
CHECKER: J. R. RATTIGAN	25FEB83	SCALE: NONE	ITEM CONTROL: CMU
DESIGN APPROVAL:			SHEET 6 OF 6

Cummins Inc.