

ONAN QSB7

MARINE GENERATOR



GENERAL SPECIFICATIONS

- Powerful & proven Cummins QSB7 engines
- Sound enclosure standard – QSB7E (enclosed)
- Exclusive space saving rear exhaust – saves approximately 150mm (5.9”) in width
- Available in 50Hz and 60Hz versions
- Single side access for easy maintenance and service
- Options for unclassified, class ready, or full class

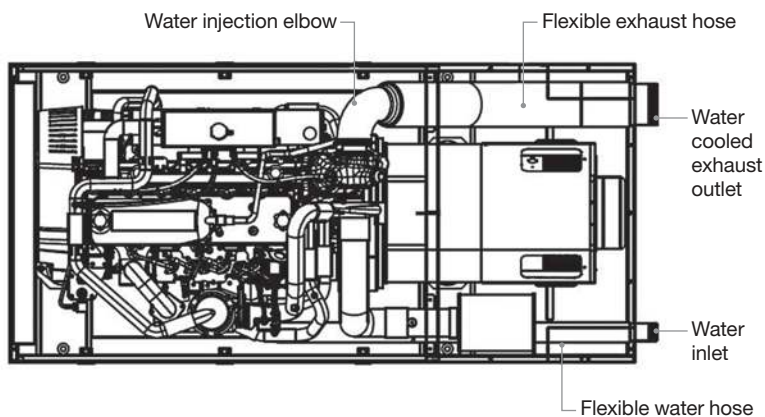
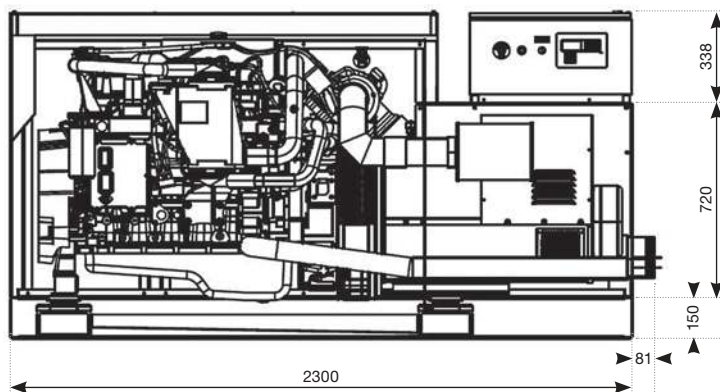


POWER RATINGS

| Engine Model | Output Power kWm | Engine Speed RPM | Alternator | Cooling | kVA | kWe | VAC | Hz | pf |
|-------------------|------------------|------------------|------------|------------------------|-------|-----|-------------|----|-----|
| 50Hz model | | | | | | | | | |
| QSB7E-90/5 | 122 | 1500 | 274E | Heat exchanger or keel | 112.5 | 90 | 380/400/415 | 50 | 0.8 |
| QSB7E-108/5 | 122 | 1500 | 274F | Heat exchanger or keel | 135 | 108 | 380/400/415 | 50 | 0.8 |
| QSB7E-119/5 | 164 | 1500 | 274G | Heat exchanger or keel | 149 | 119 | 380/400/415 | 50 | 0.8 |
| QSB7E-136/5 | 164 | 1500 | 274H | Heat exchanger or keel | 170 | 136 | 380/400/415 | 50 | 0.8 |
| QSB7E-152/5 | 164 | 1500 | 274K | Heat exchanger or keel | 190 | 152 | 380/400/415 | 50 | 0.8 |
| 60Hz model | | | | | | | | | |
| QSB7E-74/6 | 98 | 1800 | 274C | Heat exchanger or keel | 92.5 | 74 | 440/460/480 | 60 | 0.8 |
| QSB7E-88/6 | 98 | 1800 | 274D | Heat exchanger or keel | 110 | 88 | 440/460/480 | 60 | 0.8 |
| QSB7E-104/6 | 112 | 1800 | 274E | Heat exchanger or keel | 130 | 104 | 440/460/480 | 60 | 0.8 |
| QSB7E-124/6 | 142 | 1800 | 274F | Heat exchanger or keel | 156 | 124 | 440/460/480 | 60 | 0.8 |
| QSB7E-148/6 | 186 | 1800 | 274G | Heat exchanger or keel | 186 | 148 | 440/460/480 | 60 | 0.8 |
| QSB7E-170/6 | 186 | 1800 | 274H | Heat exchanger or keel | 212.5 | 170 | 440/460/480 | 60 | 0.8 |
| QSB7E-195/6 | 210 | 1800 | 274K | Heat exchanger or keel | 244 | 195 | 440/460/480 | 60 | 0.8 |

Alternators rated @ Class F temperature rise @ 50° ambient.

Ratings are for guidance only – kWe output may vary according to VAC – please contact us for confirmation of actual ratings.



PRODUCT DIMENSIONS

| | | |
|----------------|---------|-------------|
| Overall length | mm (in) | 2300 (90.5) |
| Overall Width | mm (in) | 1100 (43.3) |
| Overall Height | mm (in) | 1200 (47.2) |

PRODUCT WEIGHT

| Model | Weight kg (lb)* |
|-------------|-----------------|
| QSB7E-90/5 | 1890 (4158) |
| QSB7E-108/5 | 1930 (4246) |
| QSB7E-119/5 | 1980 (4356) |
| QSB7E-136/5 | 2020 (4444) |
| QSB7E-152/5 | 2100 (4620) |
| QSB7E-74/6 | 1800 (3960) |
| QSB7E-88/6 | 1820 (4004) |
| QSB7E-104/6 | 1890 (4158) |
| QSB7E-124/6 | 1930 (4246) |
| QSB7E-148/6 | 1980 (4356) |
| QSB7E-170/6 | 2020 (4444) |
| QSB7E-195/6 | 2100 (4620) |

*Weights are approximate at time of publication



cummins.com

Bulletin 5600690 Printed in U.K. 9/20
©2020 Cummins Inc.