

INDUSTRIAL DUAL FUEL ENGINE

Kubota WG Series (3-Cylinder)

WG972-GL-E3



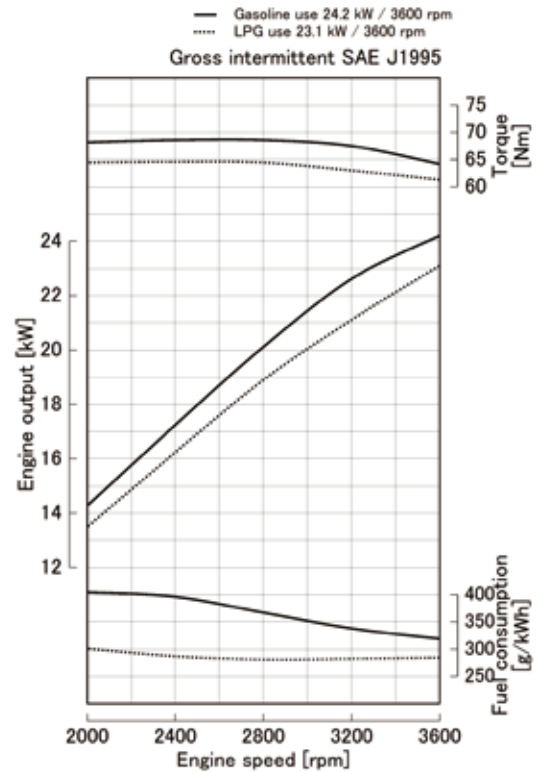
Rated Power

24.2 kW @ 3600 rpm (GASOLINE)
23.1 kW @ 3600 rpm (LPG)



Photograph may show non-standard equipment.

Performance Curves



Features and Benefits

Emissions

Kubota's WG972-GL-E3 engine has been designed to comply with EPA Phase 3 + EU Stage V.

Fuel Flexibility

The installation compatibility that exists between Spark-Ignition engines (SI) and Compression-Ignition engines (CI) is convenient for customers who need fuel flexibility for their products. The Kubota WG Series includes a gasoline version and a dual fuel (gasoline and LPG) version.

Durability and Reliability

Kubota's WG Series small SI engines are designed after the Kubota Super Mini Series diesel (CI) engines, which are known worldwide as reliable industrial engines. The WG972 engines provide an easy transition from engine models for previous emission standards by keeping the same footprint while offering excellent performance.

For Earth, For Life

WG972-GL-E3

Engine Specifications

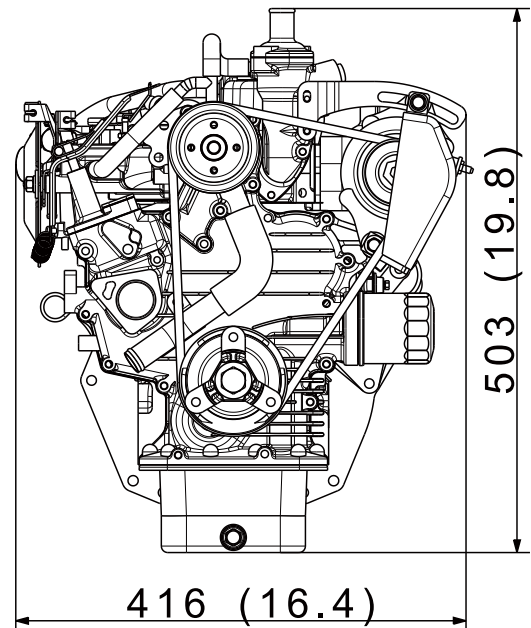
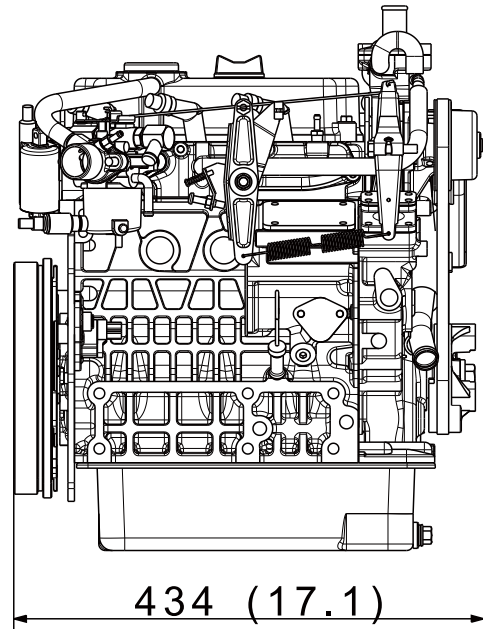
Engine model		WG972-GL-E3	
Emission regulation		EPA Phase 3 + EU Stage V	
Type		Vertical, water cooled 4-cycle spark ignited engine	
Fuel type		Gasoline	LPG
Cylinders		3	
Bore and stroke		mm (in)	74.5 x 73.6 (2.93 x 2.90)
Displacement		L (cu.in)	0.962 (58.7)
Aspiration		Naturally aspirated	
Aftertreatment		Three-way catalyst	
Rated output / speed *1		kW (HP)	24.2 (32.5) 23.1 (31.0)
		rpm	3600
Maximum torque / speed *1		Nm (lb-ft)	68.6 (50.6) 64.6 (47.6)
		rpm	2400
Length x Width x Height *2		mm (in)	434 x 416 x 503 (17.1 x 16.4 x 19.8)
Dry weight *2		kg (lbs)	72 (159)

Specifications are subject to change without notice.
Dimensions and dry weight are according to Kubota's standard specification.
Dimensions and weight depend on completed specifications.
LPG: Commercial liquid propane gas only. Equivalent to propane HD-5 of GPA standard.
Natural gas: The performance shown is with Japanese standard natural gas.

*1: SAE J1995 gross intermittent

*2: Exclude cooling fan and exclude aftertreatment unit

Dimensions



Kubota Corporation

2-47, Shikitsuhigashi 1-chome Naniwa-ku, Osaka, 556-8601 Japan
<https://global.engine.kubota.co.jp/en/>

ASPWG972-GL-E31906-N0-I-170021