



CHANGEOVER SWITCHES 35A-3200A

THE RELIABLE AND
MODULAR
SOLUTION FOR
YOUR
TRANSFERS



INS-IN-DO-EN-71

KOHLER[®]
SDMO[®]



KOHLER-SDMO CHANGEOVER SWITCHES ARE PERFECTLY SUITED TO ALL POWER FAILURE SITUATIONS

Thanks to its expertise and knowledge in the energy business, KOHLER-SDMO offers a wide range of automatic changeover switches. SDMO Industries is able to meet all your requirements and adapt to each of your needs. The KOHLER-SDMO offer comprises 3 product ranges.

VERSO 100 S

This automatic changeover switch, which is reliable and simple to use, is equipped with the main functions of this type of equipment. The adjustments are made via potentiometers and commutators. The range extends from 35 to 160A in an IP31 plastic control unit.



(IP31 control unit)

VERSO 100 D

The 100 D version is a more advanced automatic changeover switch which enables additional adjustments to be made via a MMI (Man-Machine Interface). The ratings proposed range from 35 to 160A in an IP54 metal control unit.



(IP54 control unit)

VERSO 200

The Verso 200 is an automatic changeover switch intended for larger installations. This version is available from 200 to 630A in an IP20 metal control unit (IP55 on request) and from 800 to 3200A in an IP55 control unit.



(IP20 control unit)



(IP55 cabinet)

ADVANTAGES OF THE PRODUCT

(IDENTICAL FOR ALL 3 SOURCE CHANGEOVER SWITCHES)

- A complete product, supplied in the form of a fully assembled solution and tested according to standard IEC* 60947-6-1
- Double integrated power supply (autonomous)
- Padlocking can be configured in 3 positions (I, O, II)
- Robust switch-disconnector
- Clear mechanical indicator of the changeover switch position (I-O-II)
- Intrinsic mechanical locking
- Automatic genset start-up
- High dynamic resistance for even greater safety, in the case of a short circuit closure
- Presence of a manual control for all emergency interventions
- Simple and clear readout of the status of the installation

A protected power supply is available on the 3 equipment models, in order to supply the charger and preheat the water of the genset.

TECHNICAL SPECIFICATIONS

VERSO 100	VERSO 100 S				VERSO 100 D					
	Ratings (A)				Ratings (A)					
	35	63	100	125	160	35	63	100	125	160
Type	Three phase				Three phase					
Frequency	50-60 Hz				50-60 Hz					
Voltage range	208/220/230/240v & 380/400/415/440 V				208/220/230/240v & 380/400/415/480 V					
Display and setting	Potentiometer				Via LCD display					
Voltage drop tolerated	20% of the nominal voltage @400V				30% of the nominal voltage @400V					
Maximum voltage tolerated by the equipment	288 V				305 V					
Protects against a change in the phase rotation direction	•				•					
Protection in "0" position	X				Immediate return to position 0 in the event of a fault					
Lightning arrester	X				O					
Confirmation of mains return	•				•					
EJP (for France only)	•				•					
Protection index	IP31				IP54					
Dimensions (h x w x d)	385 x 385 x 193 mm				600 x 400 x 200 mm					

VERSO 200			
Ratings (A)			
	200, 250, 400, 630	800, 1000, 1250, 1600 *	2000, 2500, 3200
Type	Three phase		
Frequency	50-60HZ		
Voltages	208/220/230/240v & 380/400/415/440 V		
Configuration	Auto-configuration of voltage/frequency min/max and configurable thresholds		
Display and setting	By LCD - Supplied with manually-operated key - Can be padlocked in manual mode.		
Voltage drop tolerated	30% of the nominal voltage @400V		
Maximum voltage tolerated by the equipment	332 V		
Protects against a change in the phase rotation direction	•		
Lightning arrester	O (IP55)		
EJP function (for France only)	• (configurable)	• (configurable)	• (configurable)
Confirmation of mains return	• (configurable)		
Protection index	IP20 (55 on request)	IP55	IP55
Inputs/outputs	3 configurable dry contact inputs/2 configurable relay outputs		
Dimensions (h x w x d)	805 x 620 x 485 mm IP55 : 1600 x 606 x 442 mm	2000 x 806 x 642 mm *1600A : 2000 x 1006 x 642 mm	2000 x 806 x 542 mm

* Standard O Option X Not available

PART NUMBERS FOR ORDERS

In order to make it easy to place orders, please find below all of the KOHLER-SDMO part numbers. Please get in touch with your KOHLER-SDMO commercial contact and provide the desired parts list, below. Your contact is also available for any advice or opinions regarding the choice of source changeover switch.

Nominal voltage range	Verso 100 S		Verso 100 D		Verso 200	
	208 to 440V		208 to 480V		208 to 440V	
Number of poles	3P	4P	3P	4P	3P	4P
Rating						
35A	INS35/3	INS35/4	INS35/3D	INS35/4D	X	X
63A	INS63/3	INS63/4	INS63/3D	INS63/4D	X	X
100A	INS103	INS104	INS103D	INS104D	X	X
125A	INS123	INS124	INS123D	INS124D	X	X
160A	INS163	INS164	INS163D	INS164D	X	X
200A	X	X	X	X	INB203	INB204
250A	X	X	X	X	INB253	INB254
400A	X	X	X	X	INB403	INB404
630A	X	X	X	X	INB633	INB634
800A	X	X	X	X	INB803	INB804
1000A	X	X	X	X	INB1003	INB1004
1250A	X	X	X	X	INB1253	INB1254
1600A	X	X	X	X	INB1603	INB1604
2000A	X	X	X	X	INB2003	INB2004
2500A	X	X	X	X	INB2503	INB2504
3200A	X	X	X	X	INB3203	INB3204

VERSO 100 S

The Verso 100 S is the first changeover switch offered as part of our industrial range. It covers three-phase ratings from 35 to 160A. It is one of the most compact solutions on the market.

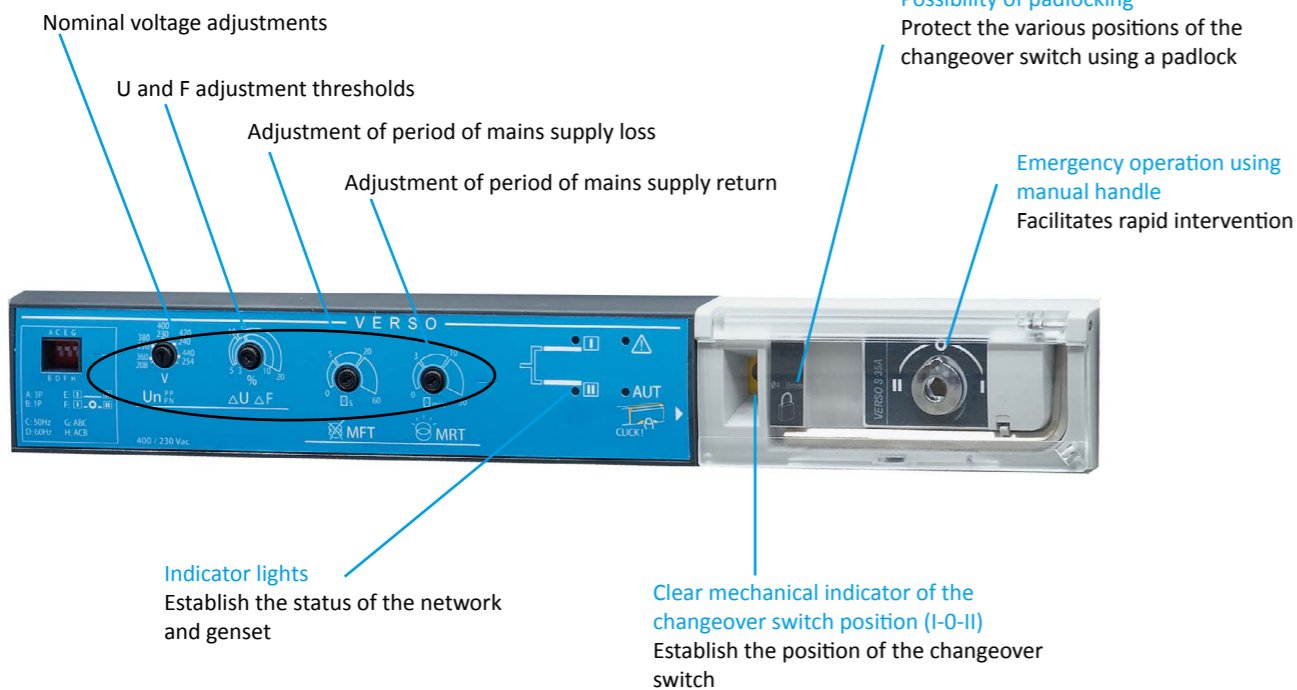


(IP31 control unit)

ADVANTAGES OF THE PRODUCT

- Adjustments made using potentiometers
- Complies with standard IEC* 60947-6-1
- Secure maintenance (no contact with conducting parts)
- Handle for manual emergency operation supplied as standard
- EJP function (without management of EJP priority) - (for France only)
- Kit for earthing neutral
- Programmable timings
- Stable positions not affected by vibrations and impacts
- Monitoring by a microprocessor

Adjustments made using potentiometers



*IEC: the "International Electrotechnical Commission" or the "Commission électrotechnique internationale" (CEI) in French, is the international standardisation organisation responsible for the fields of electricity, electronics, electromagnetic compatibility, nanotechnology and related techniques. It complements the International Organisation for Standardisation (ISO), which is responsible for other fields.

VERSO 100 D

This product is a more advanced automatic changeover switch. It is available, as standard, with the IP54 protection rating. The Verso 100 D is available up to 160A.

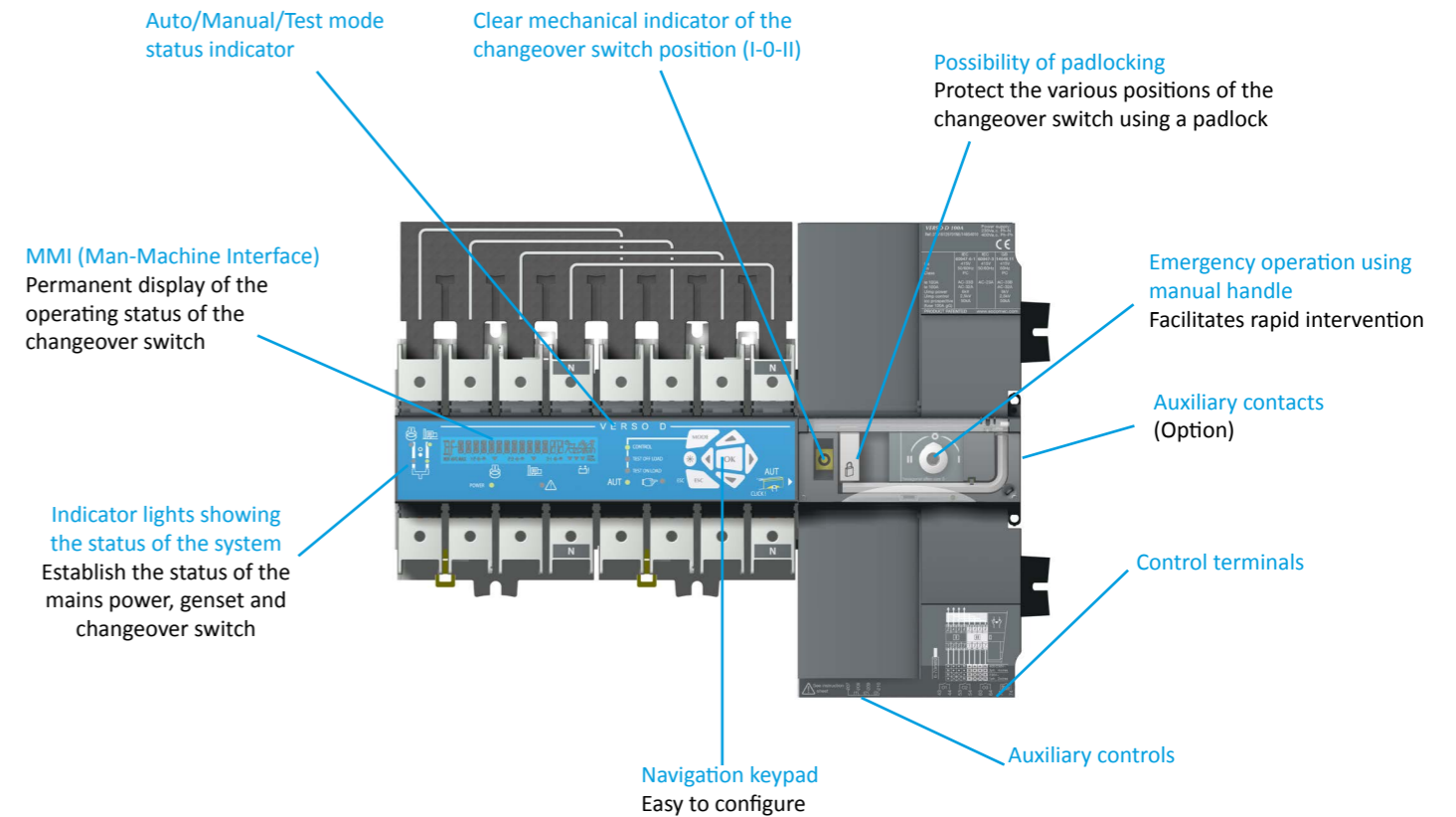


Removable panel

(IP54 control unit)

ADVANTAGES OF THE PRODUCT

- Adjustments (thresholds and timings) facilitated by a MMI
- Complies with standard IEC* 60947-6-1
- One of the most compact solutions on the market
- Secure maintenance (no contact with conducting parts)
- Handle for manual emergency operation (supplied as standard)
- Monitoring by a microprocessor
- Return to position 0 in the event of faults on the mains power side
- Lightning arrester
- Possibility of up to 480V
- Complete EJP function (for France only)
- IP54 wall-mounted control unit with panel
- The cables can be installed through the top or bottom, which makes connection easy. The control unit is therefore suited to all situations.
- Programmable timings



VERSO 200

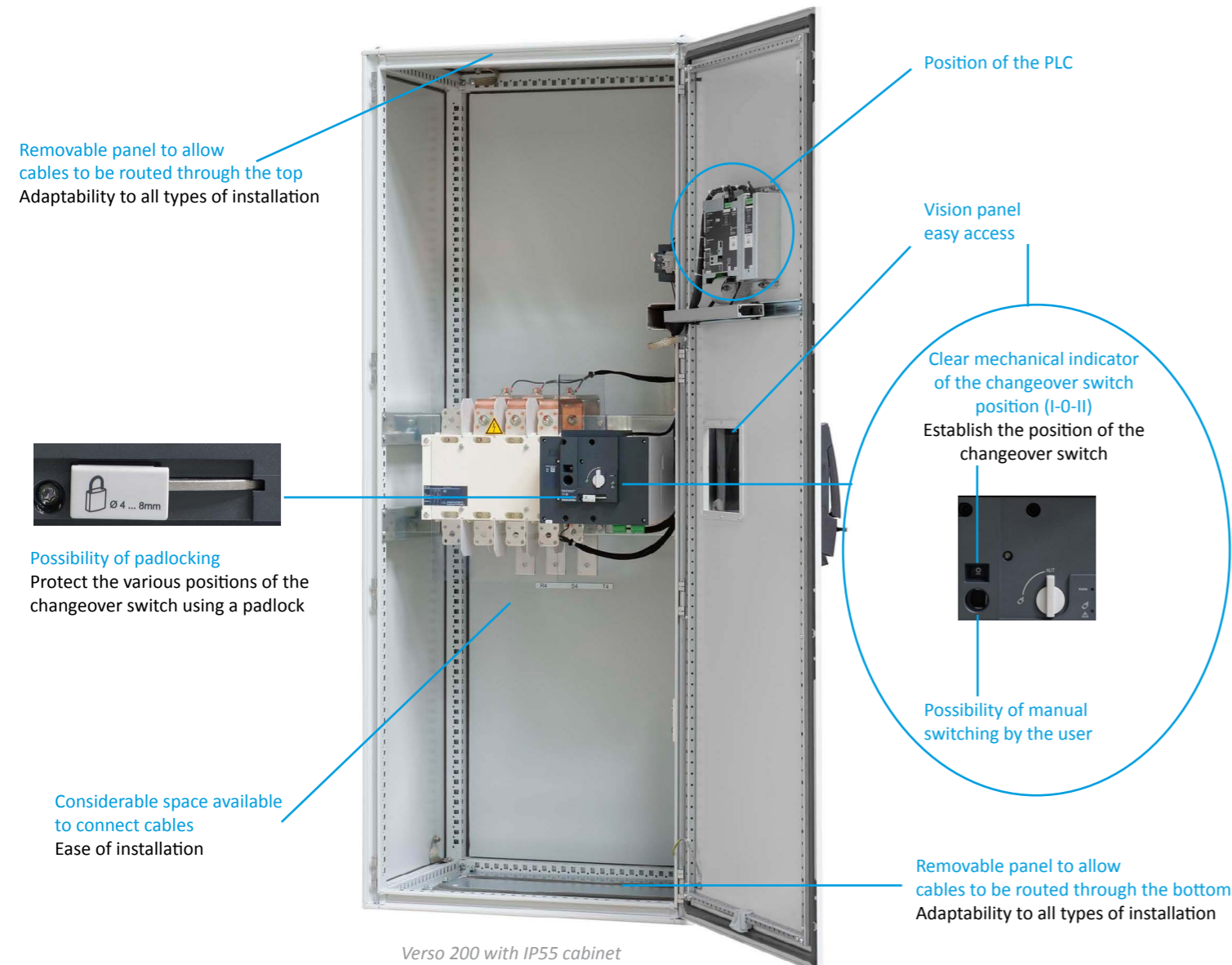
The Verso 200, available from 200 to 3200A is autonomous and complete. This changeover switch is perfectly suited to low voltage industrial applications.

> ADVANTAGES OF THE PRODUCT

- **Detachable mains measurement board:** in the event of damage due to a mains overvoltage situation, only the mains measurement board needs to be replaced.
- **Reduced wiring:** the source changeover switch is connected as close as possible to the network protection with an emergency genset installed at a distance.
- **By programming:** the product is fully adaptable to the customer's network
- **Electrical measurements of the mains power and genset:** indicates the status of the installation, fault finding, settings ...
- **Continuity of service:** in the event of a motorisation fault, the supply to the installation is maintained.
- **Protection:** protection present for the genset auxiliaries.
- **Adaptability to unstable networks:** this control unit is suited to all types of unstable networks.
- **Event history**



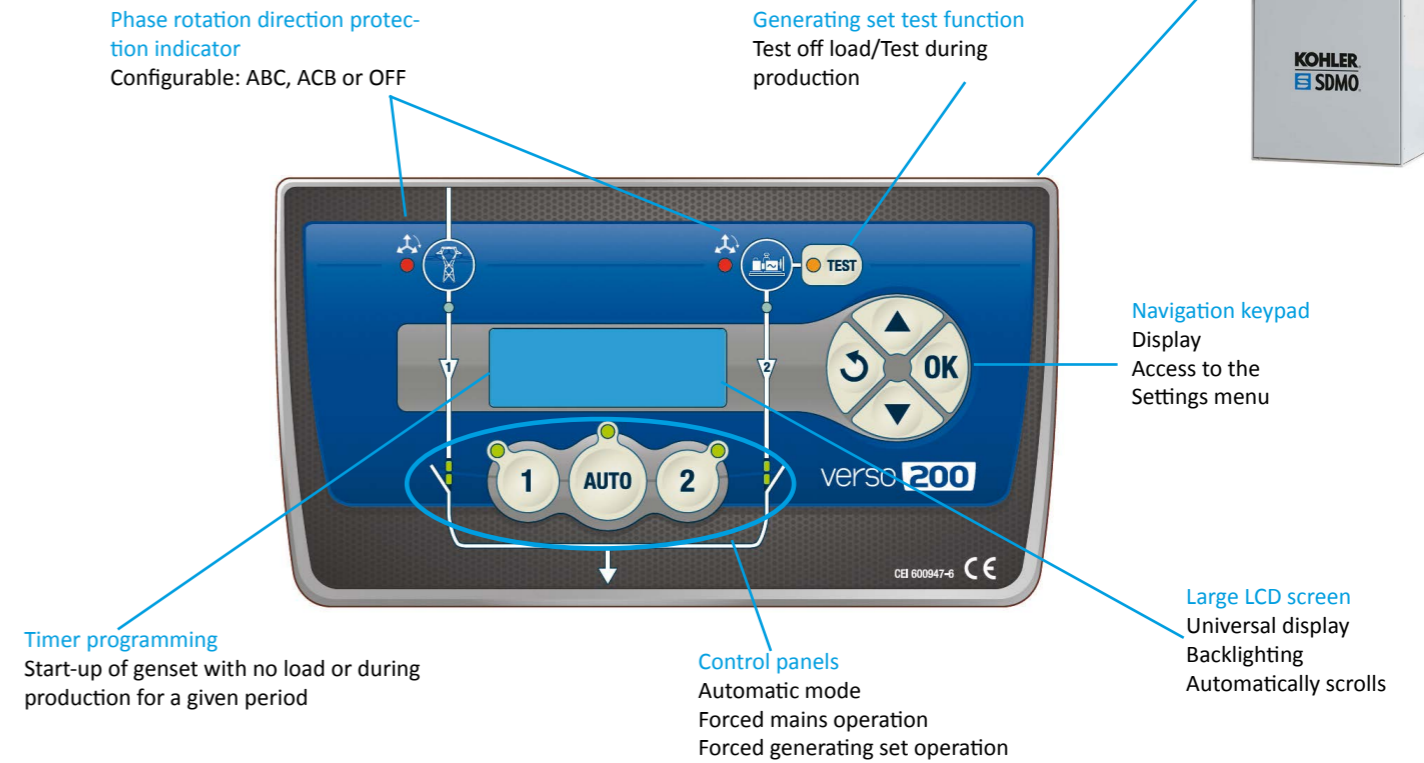
Verso 200 with IP20 control unit



Verso 200 with IP55 cabinet

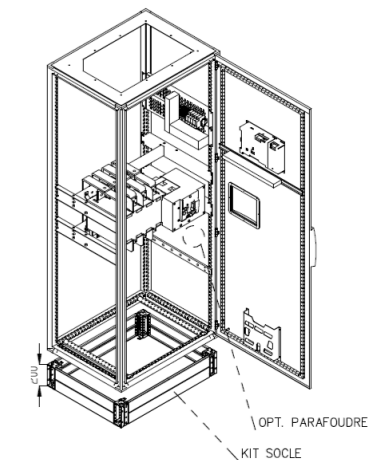
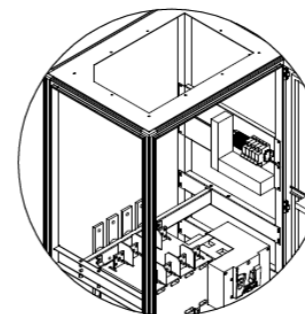
Verso 200 control automaton

Verso 200 with IP55 cabinet



> ADVANTAGES OF OPTIONS

- **Simplified connection through the top**
On the IP55 control unit, all connections are made through the bottom but with the possibility, on request, to add the "connection through the top" option.
This feature includes inversions:
 - of the bus bars
 - of the voltage references
 - of the protection connections
 - of the auxiliary connections
 In addition, for the 800A to 3200A changeover switches, this option includes removal of the roof and supply of the cable gland panel.
- **Lightning arrester (IP55 version)**
- **IT neutral system**
For an installation with an IT neutral system, a charge will be incurred (see price list).
- **Base kit**
The kit allows the source changeover switch to be raised. This option is only available with an IP55 configuration from 200 to 3200 A.



SALES OFFICES FRANCE

WEST

SDMO BREST
TEL. 02 98 41 13 48
FAX 02 98 41 13 57

CENTRAL WEST

SDMO CHOLET
TEL. 02 41 75 96 70
FAX 02 41 75 96 71

PARIS/NORTH & NORMANDY

SDMO ARRAS
TEL. 03 21 73 38 26
FAX 03 21 73 14 59

SDMO GENNEVILLIERS

TEL. 01 41 88 38 00
FAX 01 41 88 38 37

EAST

SDMO METZ
TEL. 03 87 37 88 50
FAX 03 87 37 88 59

SOUTH EAST

SDMO AIX-EN-PROVENCE
TEL. 04 42 52 51 60
FAX 04 42 52 51 61

SDMO VALENCE

TEL. 04 75 81 31 00
FAX 04 75 81 31 10

SOUTH WEST

SDMO TOULOUSE
TEL. 05 61 24 75 75
FAX 05 61 24 75 79



SUBSIDIARIES

GERMANY

SDMO GMBH
TEL. +49 (0) 63 32 97 15 0
FAX +49 (0)63 32 97 15 11

LATIN AMERICA & CARIBBEAN

SDMO GENERATING SETS
TEL. +1 (305) 863 0012
FAX +1 (954) 432 8330

BELGIUM

SDMO NV/SA
TEL. +32 36 46 04 15
FAX +32 36 46 06 25

BRAZIL

SDMO MAQUIGERAL
TEL. +55 (11)37 89 60 00

SPAIN

SDMO INDUSTRIES IBERICA
TEL. +34 (9)35 86 34 00
FAX +34 (9)35 86 31 36

UK

SDMO ENERGY LTD
TEL. +44 (0)16 06 83 81 20
FAX +44 (0)16 06 83 78 63

OFFICES

SOUTH AFRICA

SDMO SOUTH AFRICA
TEL. +27 (0)8 32 33 55 61
FAX +33 (0)1 72 27 61 51

ALGERIA

SDMO ALGIERS
TEL. +213 (0) 21 68 12 12
FAX +213 (0) 21 68 14 14

DUBAI

SDMO MIDDLE EAST
TEL. +971 4 458 70 20
FAX +971 4 458 69 85

EGYPT

SDMO CAIRO
TEL./ FAX+ 20 2 22 67 12 78

KENYA

SDMO NAIROBI
TEL. : +25 47 07 60 54 00

RUSSIA

SDMO MOSCOW
TEL./ FAX +7 495 665 16 98

TOGO

SDMO WEST AFRICA
TEL. + 228 22 22 63 65

TURKEY

SDMO ISTANBUL
TEL. +90 53 07 35 09 10

Your distributor partner

KOHLER®
SDMO®

SDMO Industries- Headquarters / Siège social : 270 Rue de Kerervern- 29490 Guipavas
SDMO Industries CS 40047- 29801 Brest Cedex 9- France
Tel. + 33 (0)2 98 41 41 41

www.kohlersdmo.com

