




**YOU ASKED.
WE LISTENED.**



**NOW WITH
3 YEARS
WARRANTY**



**The New
STAMFORD®
S0 & S1 Range**



I want
reduced
assembly
times

Our new S0 and S1
is the most user-friendly
product of its kind and
has assembly times
20% quicker than our
previous alternators



I want
to replace
another
brand's
alternator

Our new S0 and S1
has got specially
designed feet, meaning
that replacing another
alternator with a S0 or
S1 couldn't be easier



I want a
compact
alternator
for my
generator
set

Our new S0 and S1
is lighter and more
compact than previous
alternators, without
compromising on genuine
STAMFORD quality

YOU ASKED.
WE LISTENED.



The new
STAMFORD®
S0 & S1

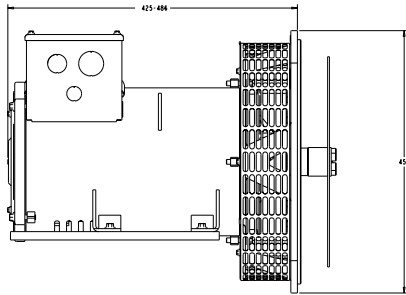
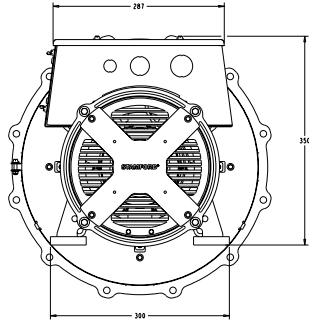


Engineered with you in mind

You told us what you looked for in an alternator and we listened. With the new **STAMFORD S0 & S1** we have gone back to the drawing board and engineered the most user-friendly alternators on the market.

- 20% quicker assembly time
- Adaptable feet for zero re-engineering
- Leading compactness
- Guaranteed STAMFORD quality





MODEL	S0	S1
Ratings at 50Hz (kVA)	7.5 - 30	35 - 62.5
Ratings at 60Hz (kVA)	9 - 36	42 - 75
Specifications		
Voltage Range (@50Hz, 3 Phase)	400/415	400/415
Voltage Range (@60Hz, 3 Phase)	480	480
Poles	4	4
Technology	Wire Wound	Wire Wound
AVR	Analogue (AS540)	Analogue (AS540)
Voltage Sensing	2 Phase	2 Phase
Bearing Arrangement	Single	Single
SAE Adaptors	3, 4, 5	3, 4, GM
Terminals	12	12
Insulation Class	H	H
Excitation System	Self Exciting	Self Exciting
Ingress Protection	IP23	IP23
Optional Features		
Excitation System	Auxiliary Winding*	Auxiliary Winding
Output Configurations	1 Phase Reconnection	1 Phase Reconnection
Environmental Protection	Anti-Condensation Heater	Anti-Condensation Heater
Flexible Foot Mounting	S0L1: 132-160mm	S1L2: 180-225mm
	S0L2: 160-180mm	
Current Transformers	3**	3
Designed For		
Standby Power	✓	✓
Telecommunications	✓	✓
Construction	✓	✓
Combined Heat & Power	✓	✓
Critical Protection & UPS	✓	✓
Continuous Power	✓	✓
Prime Movers		
Diesel Engine	✓	✓
Gas Engine	✓	✓

*Auxiliary Winding not available for 7.5 to 15 kVA

** CTs are not offered on S0L1

**NOW WITH
3 YEARS
WARRANTY**

Benefits to you

QUALITY

- Lighter and more compact than previous alternators
- High quality STAMFORD design and manufacture
- Robust steel and cast iron exterior

ASSEMBLY

- Quick and easy generator set assembly
- Up to 20% reduction in generator set assembly time
- Easily accessible adaptor, feet and terminal box

COMPATABILITY

- Zero re-engineering of generator set base when switching alternator brands
- Variety of SAE options to fit all major engines
- Convertible from 50 Hz to 60 Hz and vice-versa

PERFORMANCE

- Performs in all environments
- Every alternator tested for declared performance before despatch
- Enhanced motor starting capability without increasing length

RELIABILITY

- Designed to perform for a minimum of 20,000 hours
- All componentry subjected to 9,000 hours of highly accelerated life testing
- Strict supplier selection and manufacturing standards

COMPLIANCE

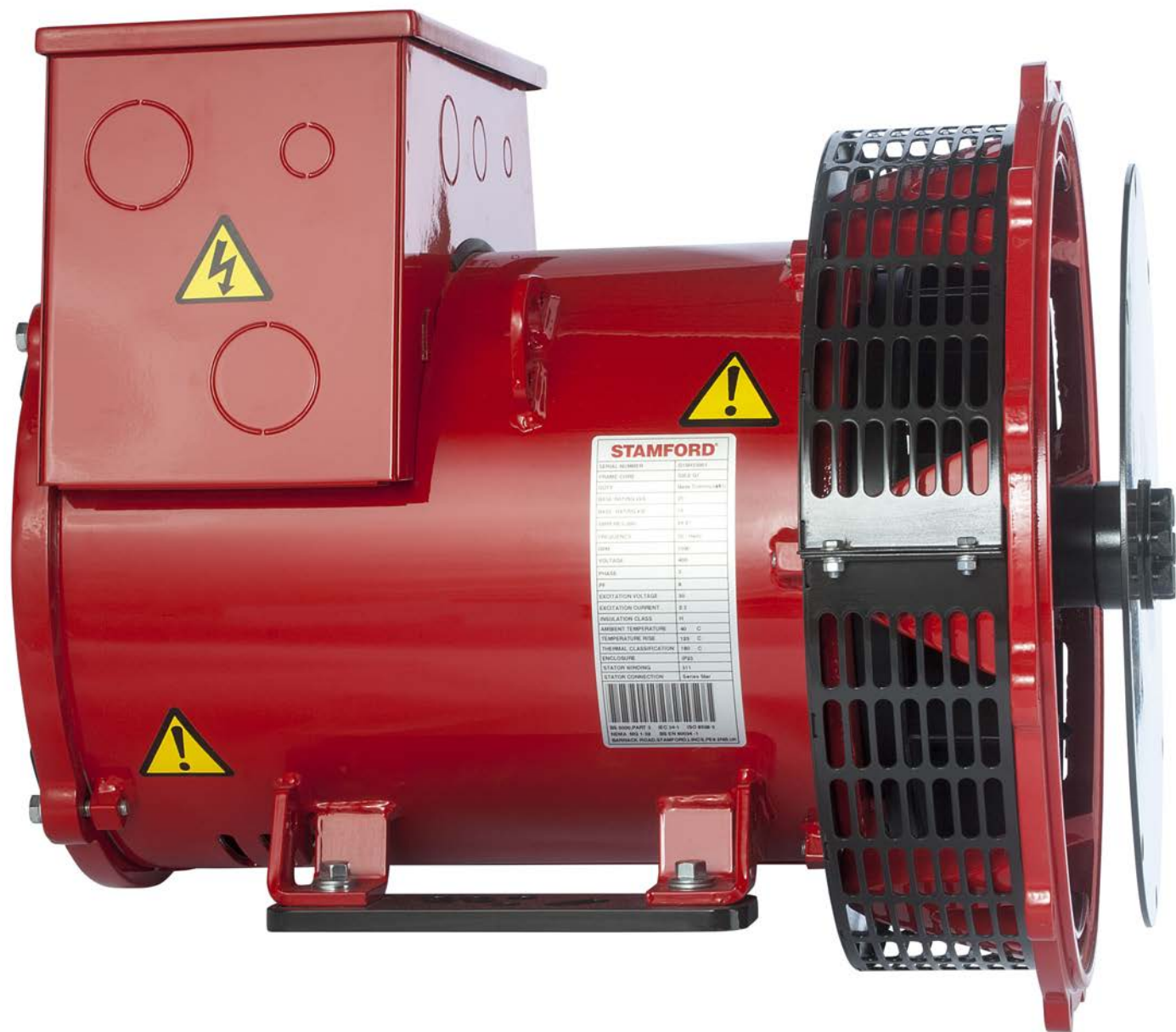
- Compliant with codes and standards globally
- IP23 protection as standard
- UL certified
- IEC and NEMA compliant

OPTIONS

- Auxiliary winding for improved motor starting capability
- Accessories include space heaters, diode failure detector and remote trimmer
- Choice of AVR position and centre height

**YOU ASKED.
WE LISTENED.**

**The new
STAMFORD®
S0 & S1**



STAMFORD	
SERIAL NUMBER	02050504
PLANT CODE	002 2 5V
TYPE	MTD
DATE MANUFACTURED	15
DATE REBUILT	15
DATE RE-TESTED	15
FREQUENCY	50 HZ
AMP	1500
VOLTAGE	400V
PHASE	3
PF	0.8
EXCITATION VOLTAGE	36V
EXCITATION CURRENT	2.2
INSULATION CLASS	H
AMBIENT TEMPERATURE	40 C
TEMPERATURE RISE	125 C
THERMAL CLASSIFICATION	F
ENCLOSURE	IP23
STATOR WINDING	315
STATOR CONNECTION	Star/Delta Star

SEE DATA SHEET 2 DEC 14 11 100 0100 1
STAMFORD 100 1 10 100 0100 1
STAMFORD 100 1 10 100 0100 1

Ratings

50Hz Single Phase

230V, 0.8PF, 4 pole, 1500rpm, wdg 05								
Model	Continuous 125/40		Continuous 105/40		Standby 150/40		Standby 163/27	
	kVA	kW	kVA	kW	kVA	kW	kVA	kW
S0L1-J1	7.5	6.0	6.8	5.5	8.0	6.4	8.3	6.6
S0L1-S1	10.0	8.0	9.1	7.3	10.7	8.6	11.0	8.8
S0L2-K1*	15.0	12.0	13.7	10.9	16.0	12.8	16.5	13.2
S0L2-U1*	20.0	16.0	18.2	14.6	21.3	17.0	22.0	17.6
S1L2-K1*	25.0	20.0	22.8	18.2	26.7	21.4	27.5	22.0
S1L2-R1*	30.0	24.0	27.3	21.8	32.0	25.6	33.0	26.4

* Auxiliary winding option available (wdg 705)

50Hz Three Phase

400V/415V, 0.8PF, 4 pole, 1500rpm, wdg 311								
Model	Continuous 125/40		Continuous 105/40		Standby 150/40		Standby 163/27	
	kVA	kW	kVA	kW	kVA	kW	kVA	kW
S0L1-D1	7.5	6.0	6.8	5.5	8.0	6.4	8.3	6.6
S0L1-H1	10.0	8.0	9.1	7.3	10.7	8.6	11.0	8.8
S0L1-L1	12.5	10.0	11.4	9.1	13.3	10.6	13.8	11.0
S0L1-P1	15.0	12.0	13.7	10.9	16.0	12.8	16.5	13.2
S0L2-F1*	17.5	14.0	15.9	12.7	18.7	15.0	19.3	15.4
S0L2-G1*	20.0	16.0	18.2	14.6	21.3	17.0	22.0	17.6
S0L2-M1*	25.0	20.0	22.8	18.2	26.7	21.4	27.5	22.0
S0L2-P1*	30.0	24.0	27.3	21.8	32.0	25.6	33.0	26.4
S1L2-J1*	35.0	28.0	31.9	25.5	37.5	30.0	38.5	30.8
S1L2-K1*	40.0	32.0	36.4	29.1	42.6	34.1	44.0	35.2
S1L2-N1*	45.0	36.0	41.0	32.8	48.0	38.4	49.5	39.6
S1L2-R1*	50.0	40.0	45.5	36.4	53.3	42.6	55.0	44.0
S1L2-Y1*	62.5	50.0	56.9	45.5	66.6	53.3	68.8	55.0

* Auxiliary winding option available (wdg 711)

60Hz Single Phase

240V, 0.8PF, 4 pole, 1800rpm, wdg 06								
Model	Continuous 125/40		Continuous 105/40		Standby 150/40		Standby 163/27	
	kVA	kW	kVA	kW	kVA	kW	kVA	kW
S0L1-J1	9.0	7.2	8.1	6.5	9.5	7.6	9.8	7.8
S0L1-S1	12.0	9.6	10.8	8.6	12.7	10.2	13.1	10.5
S0L2-G1*	14.5	11.6	13.1	10.5	15.4	12.3	15.8	12.6
S0L2-M1*	19.3	15.4	17.4	13.9	20.5	16.4	21.2	16.9
S0L2-U1*	24.0	19.2	21.7	17.4	25.6	20.5	26.4	21.1
S1L2-G1*	27.0	21.6	24.4	19.5	28.6	22.9	30.0	24.0
S1L2-H1*	29.0	23.2	26.2	21.0	30.7	24.6	31.9	25.5
S1L2-K1*	33.5	26.8	30.4	24.3	35.6	28.4	36.9	29.5
S1L2-N1*	36.5	29.2	33.0	26.4	38.6	30.9	40.6	32.4

* Auxiliary winding option available (wdg 706)

60Hz Three Phase

480V, 0.8PF, 4 pole, 1800rpm, wdg 311								
Model	Continuous 125/40		Continuous 105/40		Standby 150/40		Standby 163/27	
	kVA	kW	kVA	kW	kVA	kW	kVA	kW
S0L1-D1	9.0	7.2	8.2	6.6	9.6	7.7	10.0	8.0
S0L1-H1	12.0	9.6	10.9	8.7	12.8	10.2	13.2	10.6
S0L1-L1	15.0	12.0	13.7	11.0	16.0	12.8	16.5	13.2
S0L1-P1	18.0	14.4	16.4	13.1	19.2	15.4	19.8	15.8
S0L2-F1*	21.0	16.8	19.1	15.3	22.4	17.9	23.1	18.5
S0L2-G1*	24.0	19.2	21.8	17.4	25.6	20.5	26.4	21.1
S0L2-M1*	30.0	24.0	27.3	21.8	32.0	25.6	33.0	26.4
S0L2-P1*	36.0	28.8	32.8	26.2	38.4	30.7	39.6	26.4
S1L2-J1*	42.0	33.6	38.2	30.6	45.0	36.0	46.2	30.8
S1L2-K1*	48.0	38.4	43.7	35.0	51.2	41.0	52.8	35.2
S1L2-N1*	54.0	43.2	49.1	39.3	57.6	46.1	59.4	39.6
S1L2-R1*	60.0	48.0	54.6	43.7	64.0	51.2	66.0	52.8
S1L2-Y1*	75.0	60.0	68.2	54.6	80.0	64.0	82.5	55.0

* Auxiliary winding option available (wdg 711)

NOW WITH
3 YEARS
WARRANTY



The new
STAMFORD®
S0 & S1



For more information visit us at
stamford-avk.com



Follow us @stamfordavk



/company/stamfordavk



STAMFORDAvK



youtube.com/stamfordavk

Copyright 2016, Cummins Generator Technologies Ltd. All rights reserved.
STAMFORD is a registered trademark of Cummins Generator Technologies Ltd.

Part No. PB_S0S1_EN/AF_Rev.1.1



**Generator
Technologies**