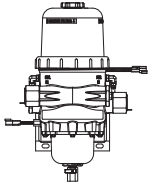
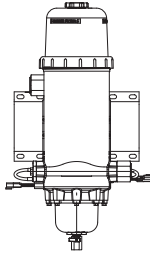


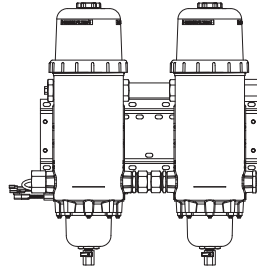
Single Short



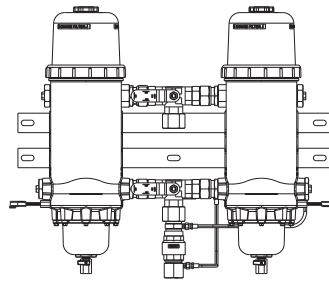
Single Tall



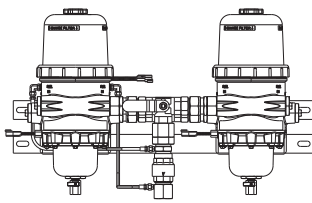
Dual Tall



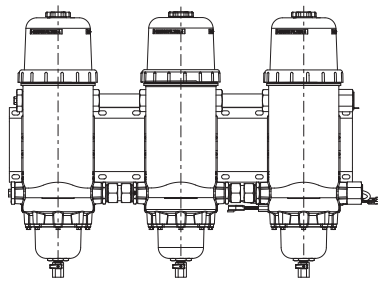
Duplex Tall



Duplex Short



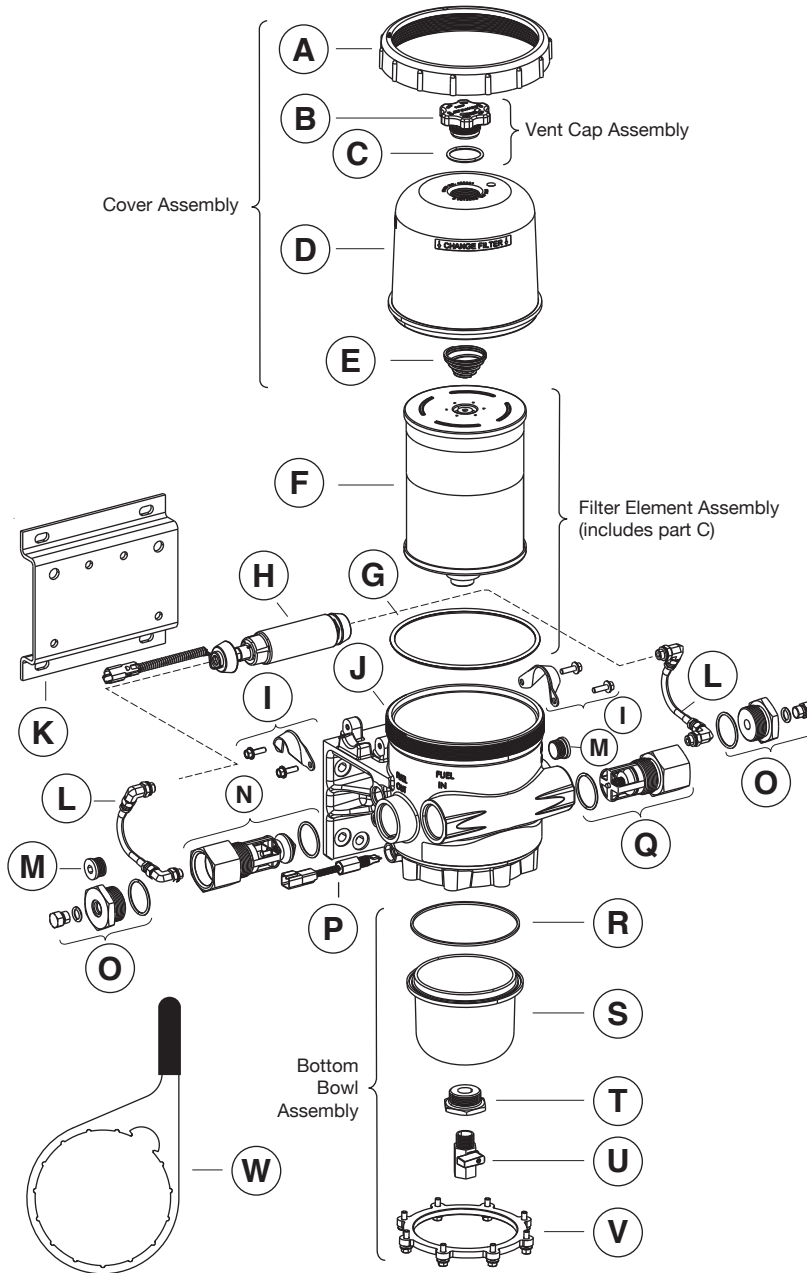
Triple Tall



239 Series Industrial Pro®

Specification	Single Short	Single Tall	Dual Tall	Triple Tall	Duplex Short	Duplex Tall
Height Overall	20" (508 mm)	28" (711 mm)	28" (711 mm)	28" (711 mm)	20" (508 mm)	28" (711 mm)
Depth Overall	12" (305 mm)	12" (305 mm)	12" (305 mm)	12" (305 mm)	12.4" (314 mm)	12" (305 mm)
Width, max	11.2" (284 mm)	13.9" (352 mm)	23.8" (604 mm)	35.5" (902 mm)	32" (813 mm)	32" (813 mm)
Weight (Dry)	29 lbs (13.2 kg)	39 lbs (17.7 kg)	75 lbs (34.0 kg)	151 lbs (68.5 kg)	71 lbs (32.2 kg) w/ check valve 66 lbs (29.9 kg) w/o check valve	91 lbs (41.3 kg) w/ check valve 86 lbs (39.0 kg) w/o check valve
Weight (Wet)	37 lbs (16.8 kg)	57 lbs (25.6 kg)	112 lbs (50.8 kg)	213 lbs (96.6 kg)	87 lbs (39.5 kg) w/ check valve 82 lbs (37.2 kg) w/o check valve	127 lbs (57.6 kg) w/ check valve 122 lbs (55.3 kg) w/o check valve
Fuel Capacity (w/o filter)	1.1 gal (4.3 L)	2.5 gal (9.5 L)	5.0 gal (19 L)	7.5 gal (28.5 L)	2.2 gal (8 L)	5.0 gal (19 L)
Fuel Connections	1-1/4" NPT	1-1/4" NPT	1-1/4" NPT	1-1/4" NPT	1-1/4" NPT	1-1/4" NPT
Fuel Flow Rate	300 gal/hr (18.9 L/min)	600 gal/hr (37.9 L/min)	1200 gal/hr (75.7 L/min)	1200 gal/hr (75.7 L/min)	300 gal/hr Duplex mode (18.9 L/min) 600 gal/hr Dual mode (37.9 L/min)	600 gal/hr Duplex mode (37.9 L/min) 1200 gal/hr Dual mode (75.7 L/min)
Bottom Bowl Water Holding Capacity	29 fl oz (857 ml)	29 fl oz (857 ml)	58 fl oz (1715 ml)	87 fl oz (2573 ml)	29 fl oz (857 ml) Single mode 58 fl oz (1715 ml) Dual mode	29 fl oz (857 ml) Single mode 58 fl oz (1715 ml) Dual mode
Filter Service Clearance	Min. 3.5" (89 mm)	Min. 6.0" (152 mm)	Min. 6.0" (152 mm)	Min. 6.0" (152 mm)	Min. 3.5" (89 mm)	Min. 6.0" (152 mm)
Electrical Heater Options	12 VDC or 24 VDC					
Primer Pump	Supply Voltage: 24 VDC, 6 A					
Fuel Types	Compatible for use with Diesel #1, Diesel #2, Kerosene, Biodiesel B20, and JP8					

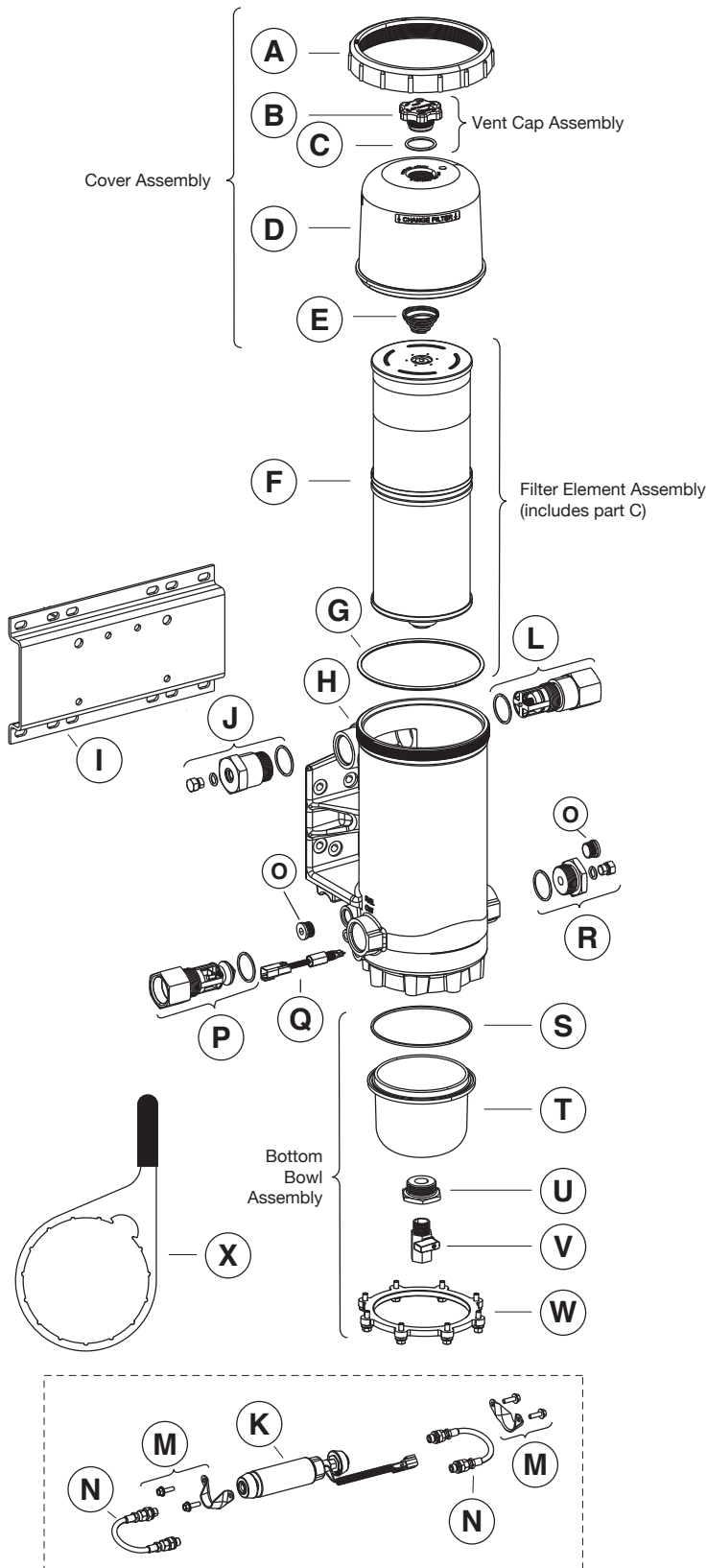
Industrial Pro® Single Short



Parts List

Part	Description	Part Number
A	Collar	Cover Assembly SP1127
B	Vent Cap	
C	O-Ring	
D	Cover	
E	Filter Spring	
F	Filter Element (includes Part C)	FS53015
G	O-Ring	(includes Part C)
H	Priming Pump (includes Isolators)	SP1124
I	(2) Priming Pump Clamp and (4) Screws	SP1133
J	Industrial Pro®	See Ordering Information
K	Bracket with Fasteners	SP1131
L	(2) Priming Pump Hoses and (4) Fittings	SP1128
M	Plug 1/2" STOR	SP1125
N	Bypass Check Valve	SP1121
O	Diagnostic Plug Fitting	SP1130
P	Water-In-Fuel (WIF) Sensor	SP1123
Q	Check Valve	SP1120
R	O-Ring	3945215 S
S	Bottom Bowl	Bottom Bowl Assembly (Includes Part R) SP1134
T	Drain Flange	
U	Drain Valve	
V	Bottom Bracket and Bolts (8)	
W	Wrench	SP1076
Not Shown	WIF Wiring Harness	3950729 S
	WIF LED	3946670 S
	Electric Heater	See Heater Page
	Adapter Fitting, 3/4" to 1-1/4"	SP1135
	Adapter Fitting, 1-1/4" NPT to M42 x 1.5	3956561 S

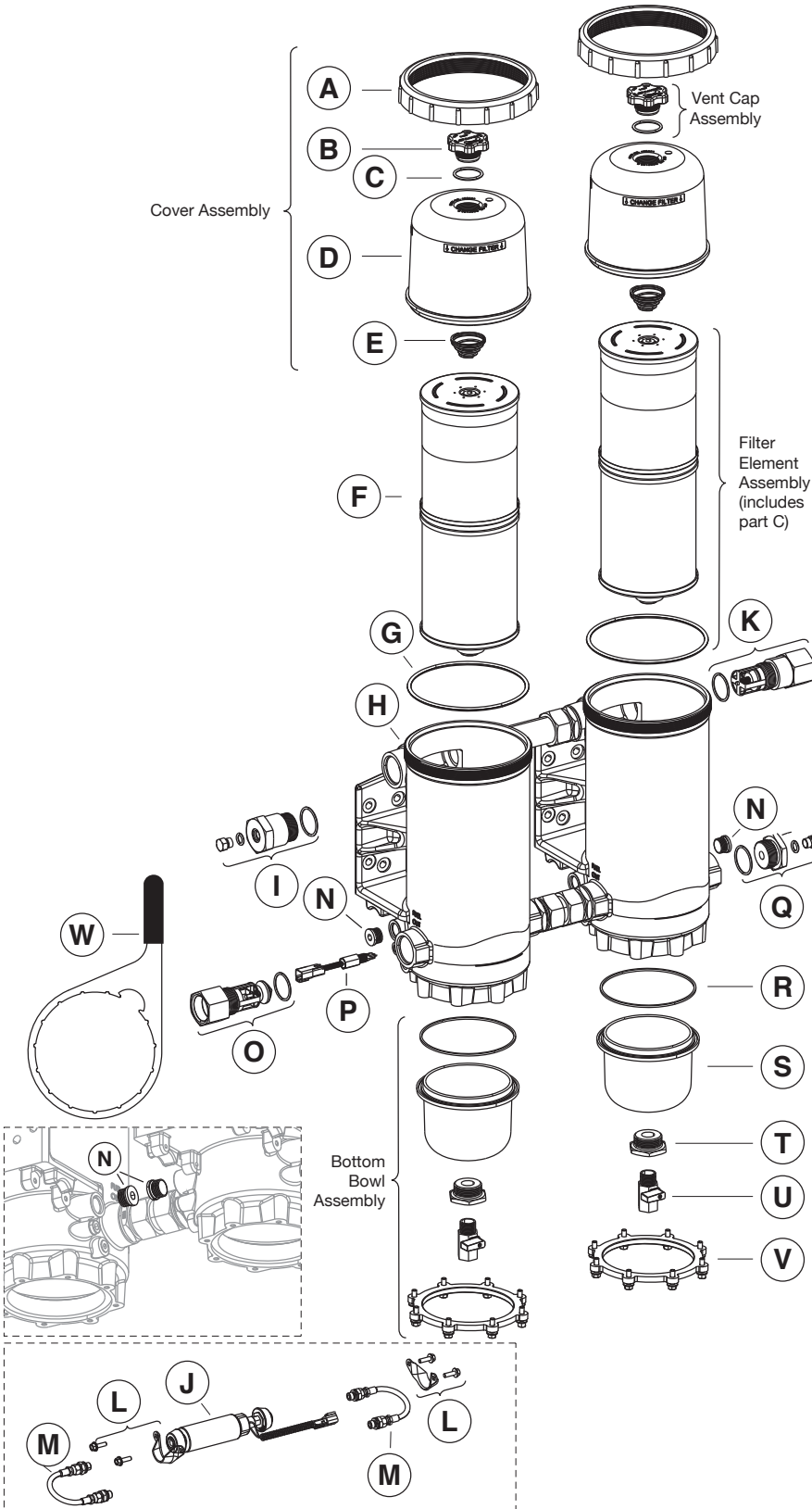
Industrial Pro® Single Tall



Parts List

Part	Description	Part Number
A	Collar	Cover Assembly SP1127
B	Vent Cap	
C	O-Ring	
D	Cover	
E	Filter Spring	FS53014 (includes Part C)
F	Filter Element (includes Part C)	
G	O-Ring	See page 14
H	Industrial Pro®	
I	Bracket with Fasteners	SP1132
J	Diagnostic Plug Fitting - Extended	SP1205
K	Priming Pump (includes Isolators)	SP1124
L	Check Valve - Extended	SP1206
M	(2) Priming Pump Clamps and (4) Screws	SP1133
N	(2) Priming Pump Hoses and (4) Fittings	SP1129
O	Plug 1/2" STOR	SP1125
P	Bypass Check Valve	SP1121
Q	Water-In-Fuel (WIF) Sensor	SP1123
R	Diagnostic Plug Fitting	SP1130
S	O-Ring	3945215 S
T	Bottom Bowl	Bottom Bowl Assembly (Includes Part S) SP1134
U	Drain Flange	
V	Drain Valve	
W	Bottom Bracket and Bolts (8)	SP1076
X	Wrench	
Not Shown	WIF Wiring Harness	3950729 S
	WIF LED	3946670 S
	Electric Heater	See Heater page
	Adapter Fitting, 3/4" to 1-1/4"	SP1135
	Adapter Fitting, 1-1/4" NPT to M42 x 1.5	3956561 S

Industrial Pro® Dual Tall



Parts List

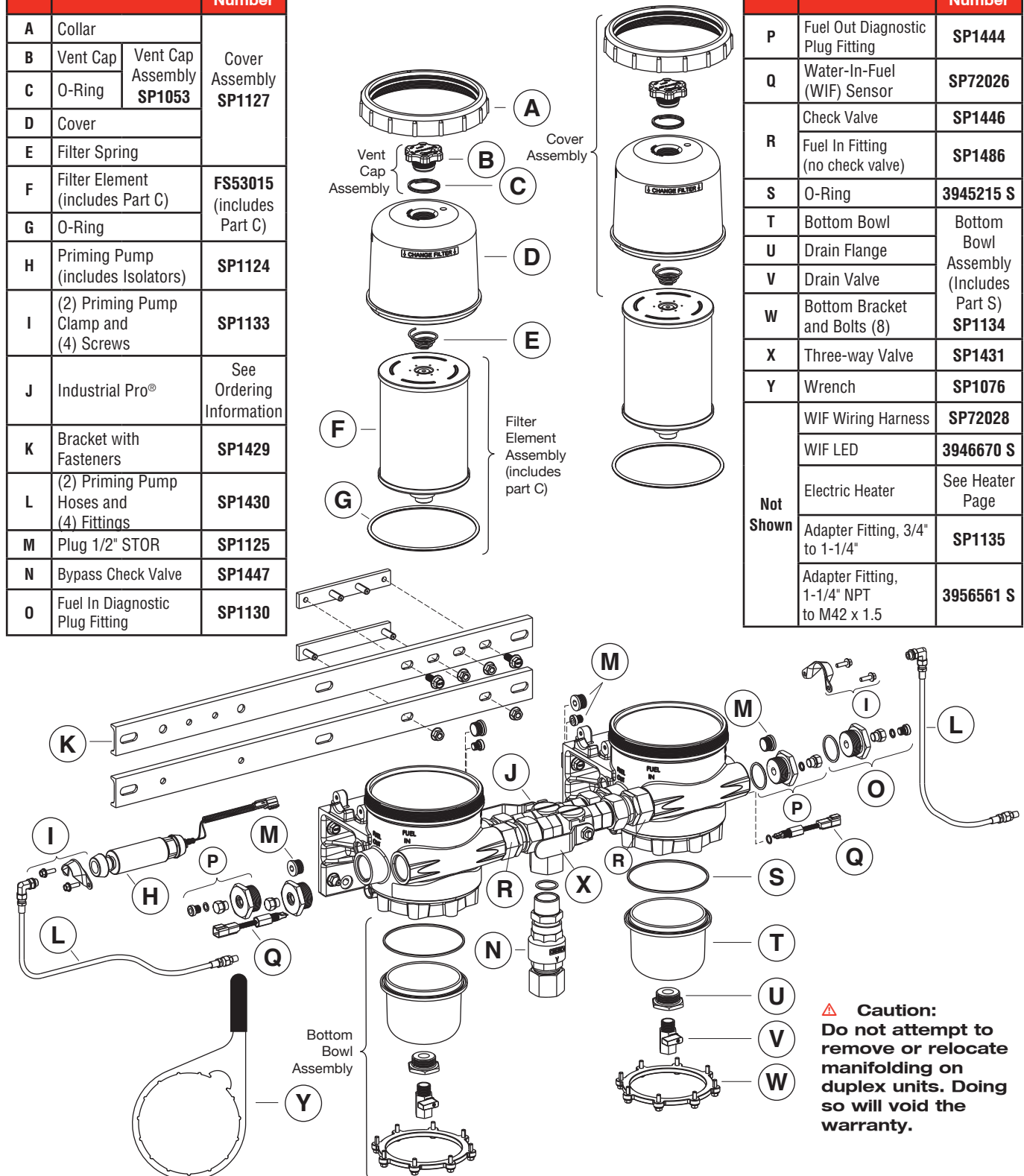
Part	Description	Part Number
A	Collar	Cover Assembly SP1127
B	Vent Cap	
C	O-Ring	
D	Cover	
E	Filter Spring	
F	Filter Element (includes Part C)	FS53014 (includes Part C)
G	O-Ring	
H	Industrial Pro®	See Ordering Information
I	Diagnostic Plug Fitting - Extended	SP1205
J	Priming Pump (includes Isolators)	SP1124
K	Check Valve - Extended	SP1206
L	(2) Priming Pump Clamps and (4) Screws	SP1133
M	(2) Priming Pump Hoses and (4) Fittings	SP1129
N	Plug 1/2" STOR	SP1125
O	Bypass Check Valve	SP1121
P	Water-In-Fuel (WIF) Sensor	SP1123
Q	Diagnostic Plug Fitting	SP1130
R	O-Ring	3945215 S
S	Bottom Bowl	Bottom Bowl Assembly (Includes Part R) SP1134
T	Drain Flange	
U	Drain Valve	
V	Bottom Bracket and Bolts (8)	
W	Wrench	SP1076
Not Shown	WIF Wiring Harness	3950729 S
	WIF LED	3946670 S
	Electric Heater	See Heater page
	Adapter Fitting, 3/4" to 1-1/4"	SP1135
	Adapter Fitting, 1-1/4" NPT to M42 x 1.5	3956561 S

Parts List

Industrial Pro® Duplex Short

Part	Description	Part Number
A	Collar	Cover Assembly SP1127
B	Vent Cap	
C	O-Ring	
D	Cover	
E	Filter Spring	
F	Filter Element (includes Part C)	FS53015 (includes Part C)
G	O-Ring	
H	Priming Pump (includes Isolators)	SP1124
I	(2) Priming Pump Clamp and (4) Screws	SP1133
J	Industrial Pro®	See Ordering Information
K	Bracket with Fasteners	SP1429
L	(2) Priming Pump Hoses and (4) Fittings	SP1430
M	Plug 1/2" STOR	SP1125
N	Bypass Check Valve	SP1447
O	Fuel In Diagnostic Plug Fitting	SP1130

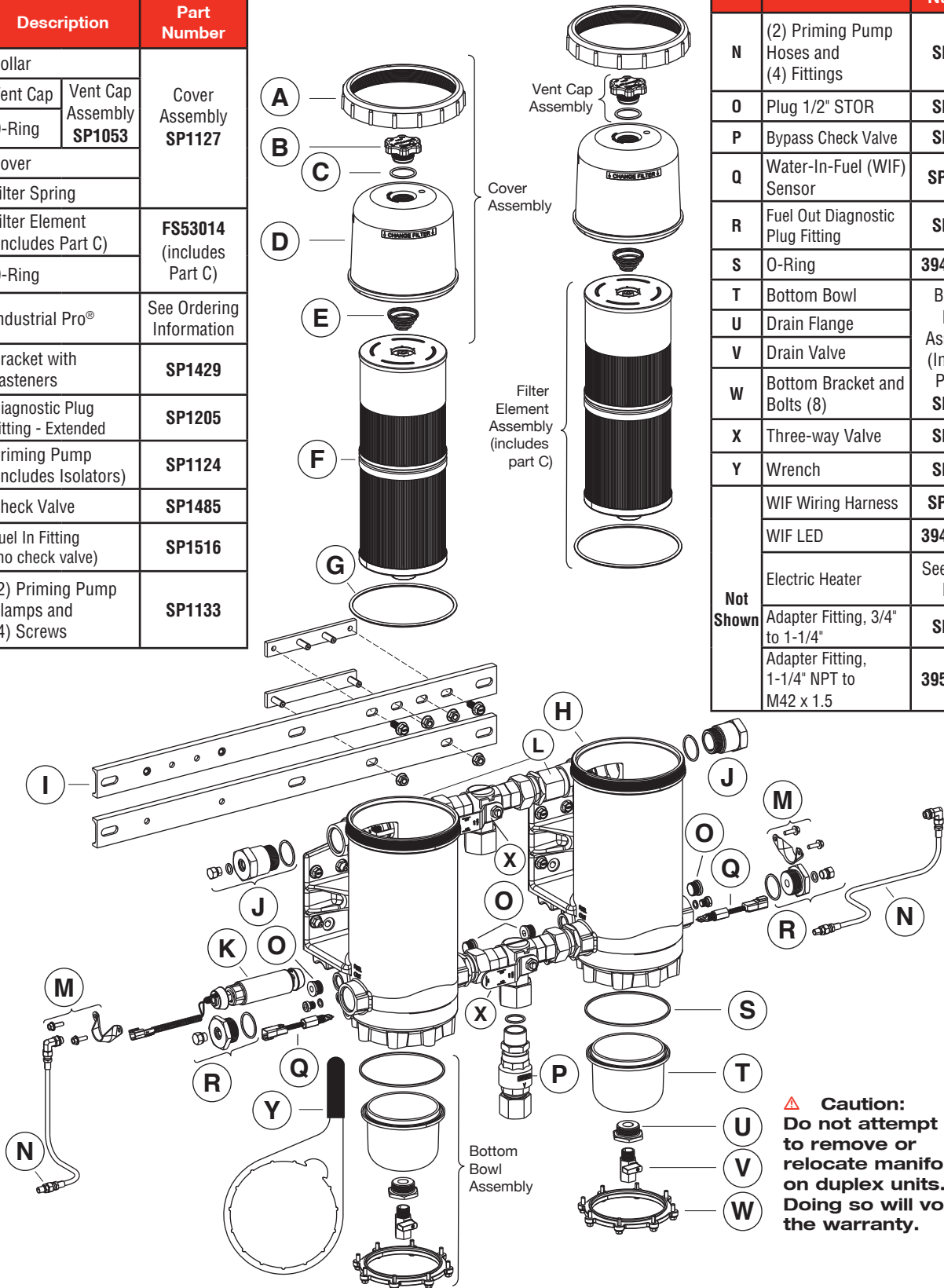
Part	Description	Part Number
P	Fuel Out Diagnostic Plug Fitting	SP1444
Q	Water-In-Fuel (WIF) Sensor	SP72026
R	Check Valve	SP1446
	Fuel In Fitting (no check valve)	SP1486
S	O-Ring	3945215 S
T	Bottom Bowl	Bottom Bowl Assembly (Includes Part S)
U	Drain Flange	
V	Drain Valve	
W	Bottom Bracket and Bolts (8)	SP1134
X	Three-way Valve	SP1431
Y	Wrench	SP1076
Not Shown	WIF Wiring Harness	SP72028
	WIF LED	3946670 S
	Electric Heater	See Heater Page
	Adapter Fitting, 3/4" to 1-1/4"	SP1135
	Adapter Fitting, 1-1/4" NPT to M42 x 1.5	3956561 S



Parts List

Part	Description	Part Number
A	Collar	Cover Assembly SP1127
B	Vent Cap	
C	O-Ring	
D	Cover	
E	Filter Spring	
F	Filter Element (includes Part C)	FS53014 (includes Part C)
G	O-Ring	
H	Industrial Pro®	See Ordering Information
I	Bracket with Fasteners	SP1429
J	Diagnostic Plug Fitting - Extended	SP1205
K	Priming Pump (includes Isolators)	SP1124
L	Check Valve	SP1485
	Fuel In Fitting (no check valve)	SP1516
M	(2) Priming Pump Clamps and (4) Screws	SP1133

Industrial Pro® Duplex Tall

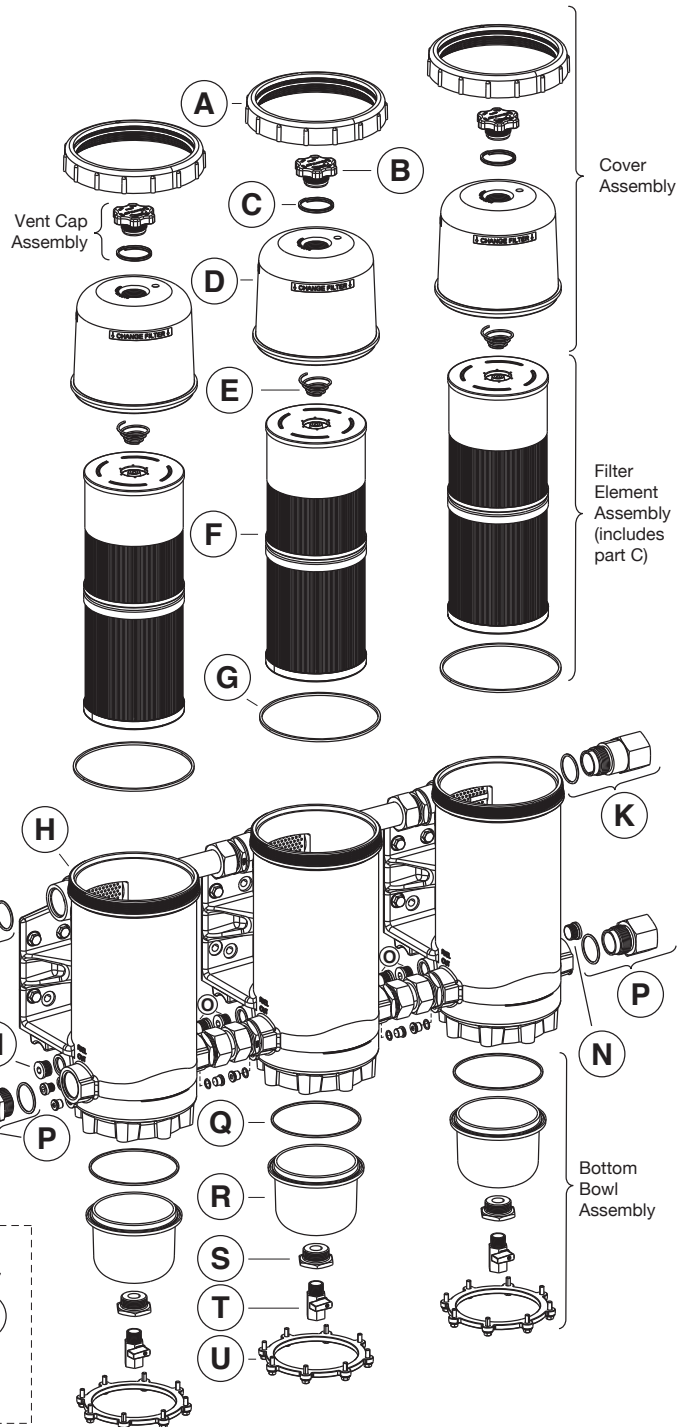


Part	Description	Part Number
N	(2) Priming Pump Hoses and (4) Fittings	SP1432
O	Plug 1/2" STOR	SP1125
P	Bypass Check Valve	SP1447
Q	Water-In-Fuel (WIF) Sensor	SP72026
R	Fuel Out Diagnostic Plug Fitting	SP1444
S	O-Ring	3945215 S
T	Bottom Bowl	Bottom Bowl Assembly (Includes Part S)
U	Drain Flange	
V	Drain Valve	
W	Bottom Bracket and Bolts (8)	SP1134
X	Three-way Valve	SP1431
Y	Wrench	SP1076
Not Shown	WIF Wiring Harness	SP72028
	WIF LED	3946670 S
	Electric Heater	See Heater Page
	Adapter Fitting, 3/4" to 1-1/4"	SP1135
	Adapter Fitting, 1-1/4" NPT to M42 x 1.5	3956561 S

Parts List

Industrial Pro® Triple Tall

Part	Description	Part Number
A	Collar	Cover Assembly SP1127
B	Vent Cap	
C	O-Ring	
D	Cover	
E	Filter Spring	FS53014 (includes Part C)
F	Filter Element (includes Part C)	
G	O-Ring	
H	Industrial Pro®	See Ordering Information
I	Diagnostic Plug Fitting - Extended	SP1205
J	Priming Pump (includes Isolators)	SP1124
K	Check Valve - Extended	SP1206
L	(2) Priming Pump Clamps and (4) Screws	SP1133
M	(2) Priming Pump Hoses and (4) Fittings	SP1129
N	Plug 1/2" STOR	SP1125
O	Water-In-Fuel (WIF) Sensor	SP1123
P	Fuel Out Diagnostic Plug Fitting	SP1444
Q	O-Ring	3945215 S
R	Bottom Bowl	Bottom Bowl Assembly (Includes Part Q) SP1134
S	Drain Flange	
T	Drain Valve	
U	Bottom Bracket and Bolts (8)	
V	Wrench	SP1076
Not Shown	WIF Wiring Harness	3950729 S
	WIF LED	3946670 S
	Electric Heater	See Heater Page
	Adapter Fitting, 3/4" to 1-1/4"	SP1135
	Adapter Fitting, 1-1/4" NPT to M42 x 1.5	3956561 S



Ordering Information

Housing Part Number	Filter Element	Primer Pump	WIF	Clear Bowl	Bracket Included	Heater	Check Valve	Bypass Valve	Fuel In & Fuel Out Port Size	Fuel In & Fuel Out Port Size (metric)
FH23900	FS53015	Yes	Yes	Yes	Yes	No	Yes	Yes	In Right/Out Left	1-1/4" NPTF
FH23904	FS53015	Yes	Yes	Yes	Yes	No	Yes	Yes	In Left/Out Right	1-1/4" NPTF
FH23916	FS53015	No	Yes	Yes	Yes	No	Yes	No	In Right/Out Left	1-1/4" NPTF
FH23917	FS53015	No	Yes	Yes	Yes	No	Yes	No	In Left/Out Right	1-1/4" NPTF

Replacement Filters

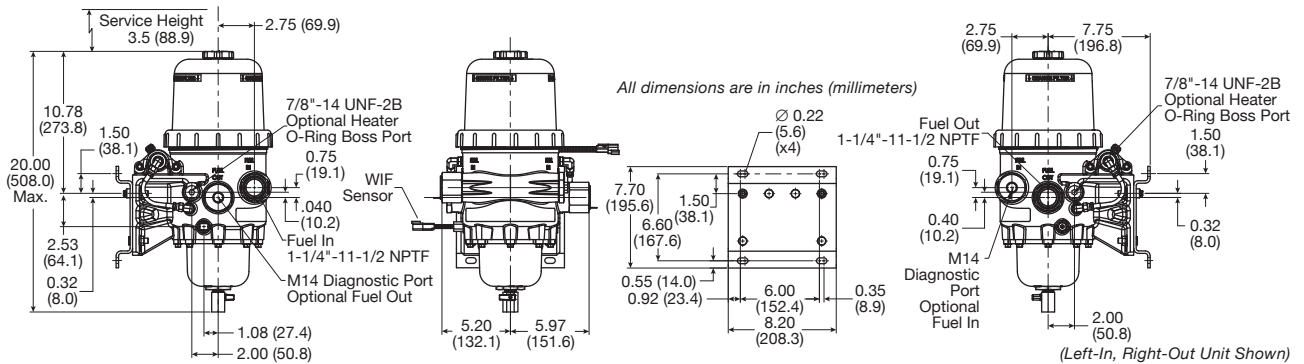
Part Number	Description
FS53015	EleMax NanoNet 5 micron (short)

Filter Specifications

Elemax™ NanoNet™ Filter

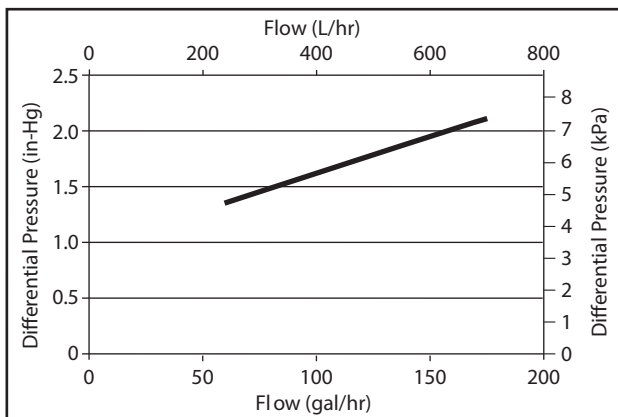
- Emulsified Water Separation: 95% efficiency at 300 gal/h (1135 L/h) flow per SAE J1488
- Free Water Separation: 95% efficiency at 300 gal/h (1135 L/h) flow per SAE J1839

Mounting/Dimensions



Performance

Filter Restriction vs Flow



Ordering Information

Housing Part Number	Filter Element	Primer Pump	WIF	Clear Bowl	Bracket Included	Heater	Check Valve	Bypass Valve	Fuel In & Fuel Out Port Size	Fuel In & Fuel Out Port Size (metric)
FH23901	FS53014	Yes	Yes	Yes	Yes	No	Yes	Yes	In Left/Out Right	1-1/4" NPTF
FH23903	FS53014	Yes	Yes	Yes	Yes	No	Yes	Yes	In Right/Out Left	1-1/4" NPTF
FH23905	FS53014	Yes	Yes	Yes	Yes	No	Yes	Yes	In Left/Out Left	1-1/4" NPTF
FH23906	FS53014	Yes	Yes	Yes	Yes	No	Yes	Yes	In Right/Out Right	1-1/4" NPTF
FH23912	FS53014	No	Yes	Yes	Yes	No	Yes	No	In Right/Out Left	1-1/4" NPTF
FH23913	FS53014	No	Yes	Yes	Yes	No	Yes	No	In Left/Out Right	1-1/4" NPTF
FH23914	FS53014	No	Yes	Yes	Yes	No	Yes	No	In Left/Out Left	1-1/4" NPTF
FH23915	FS53014	No	Yes	Yes	Yes	No	Yes	No	In Right/Out Right	1-1/4" NPTF

Replacement Filters

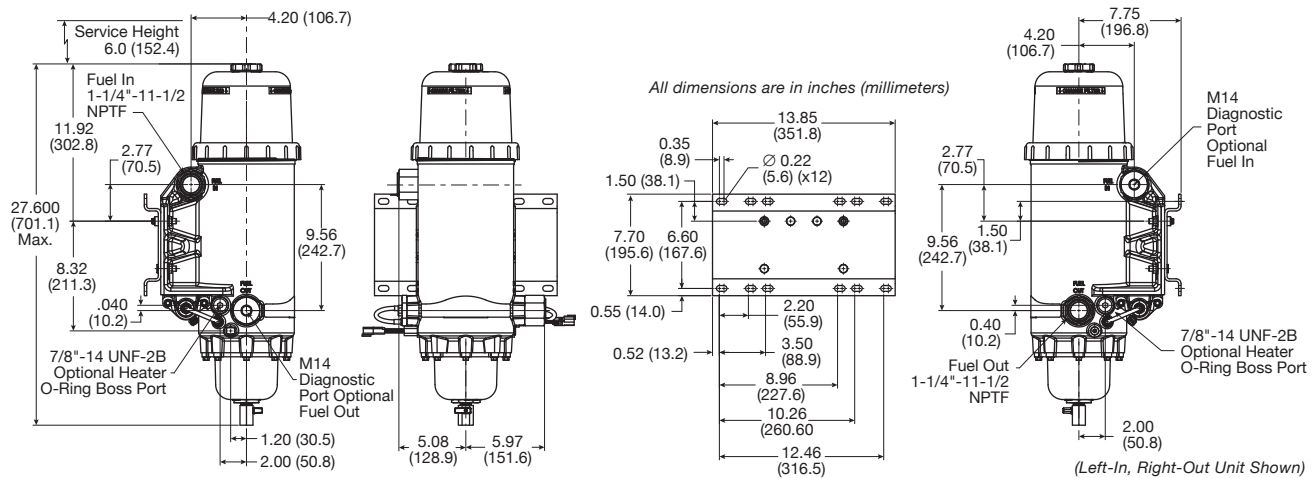
Part Number	Description
FS53014	EleMax [™] NanoNet [™] 5 micron (tall)

Filter Specifications

Elemax[™] NanoNet[™] Filter

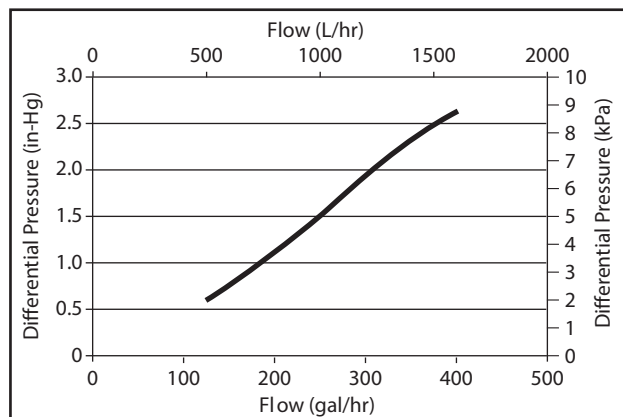
- Emulsified Water Separation: 95% efficiency at 600 gal/h (2271 L/h) flow per SAE J1488
- Free Water Separation: 95% efficiency at 600 gal/h (2271 L/h) flow per SAE J1839

Mounting/Dimensions



Performance

Filter Restriction vs Flow



Ordering Information

Housing Part Number	Filter Element	Primer Pump	WIF	Clear Bowl	Bracket Included	Heater	Check Valve	Bypass Valve	Fuel In & Fuel Out Port Size	Fuel In & Fuel Out Port Size (metric)
FH23907	FS53014*	Yes	Yes	Yes	Yes	No	Yes	Yes	In Right/Out Right	1-1/4" NPTF
FH23908	FS53014*	Yes	Yes	Yes	Yes	No	Yes	Yes	In Right/Out Left	1-1/4" NPTF
FH23910	FS53014*	Yes	Yes	Yes	Yes	No	Yes	Yes	In Left/Out Right	1-1/4" NPTF
FH23911	FS53014*	Yes	Yes	Yes	Yes	No	Yes	Yes	In Left/Out Left	1-1/4" NPTF
FH23918	FS53014*	No	Yes	Yes	Yes	No	Yes	No	In Right/Out Left	1-1/4" NPTF
FH23919	FS53014*	No	Yes	Yes	Yes	No	Yes	No	In Left/Out Right	1-1/4" NPTF
FH23920	FS53014*	No	Yes	Yes	Yes	No	Yes	No	In Left/Out Left	1-1/4" NPTF
FH23921	FS53014*	No	Yes	Yes	Yes	No	Yes	No	In Right/Out Right	1-1/4" NPTF

* Requires two filter elements

Replacement Filters

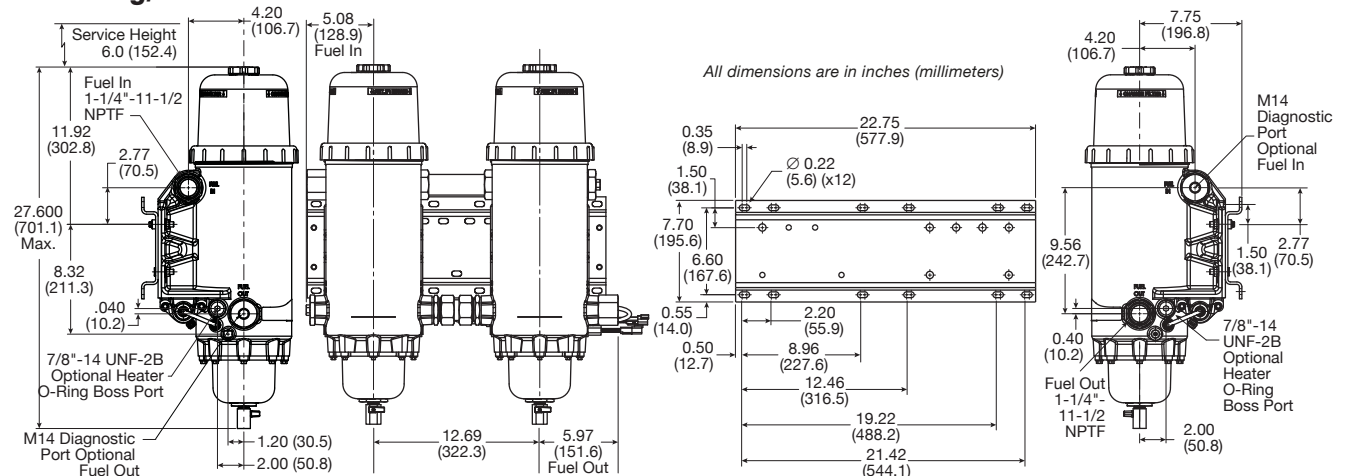
Part Number	Description
FS53014	EleMax™ NanoNet™ 5 micron (tall)

Filter Specifications

Elemax™ NanoNet™ Filter

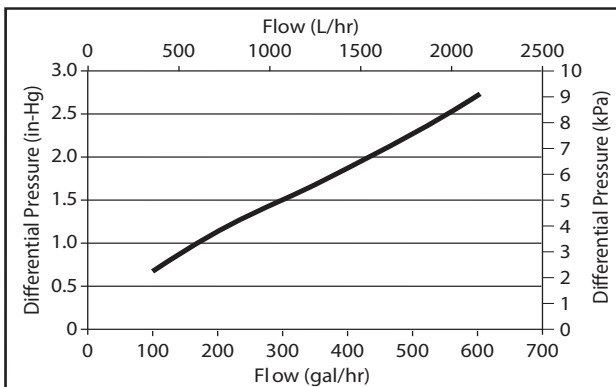
- Emulsified Water Separation: 95% efficiency at 600 gal/h (2271 L/h) flow per SAE J1488
- Free Water Separation: 95% efficiency at 600 gal/h (2271 L/h) flow per SAE J1839

Mounting/Dimensions



Performance

Filter Restriction vs Flow



Ordering Information

Housing Part Number	Filter Element	Primer Pump	WIF	Clear Bowl	Bracket Included	Heater	Check Valve	Bypass Valve	Fuel In & Fuel Out Port Size	Fuel In & Fuel Out Port Size (metric)
FH23926	FS53015*	No	Yes	Yes	Yes	No	No	No	In Center/Out Center	1-1/4" NPTF
FH23927	FS53015*	Yes	Yes	Yes	Yes	No	Yes	Yes	In Center/Out Center	1-1/4" NPTF

* Requires two filter elements

Replacement Filters

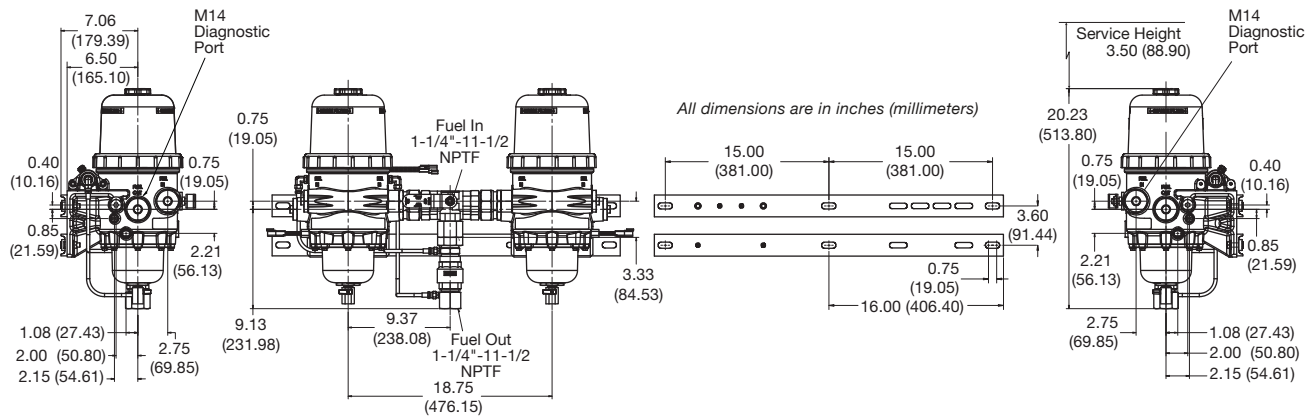
Part Number	Description
FS53015	EleMax NanoNet 5 micron (short)

Filter Specifications

Elemax[™] NanoNet[™] Filter

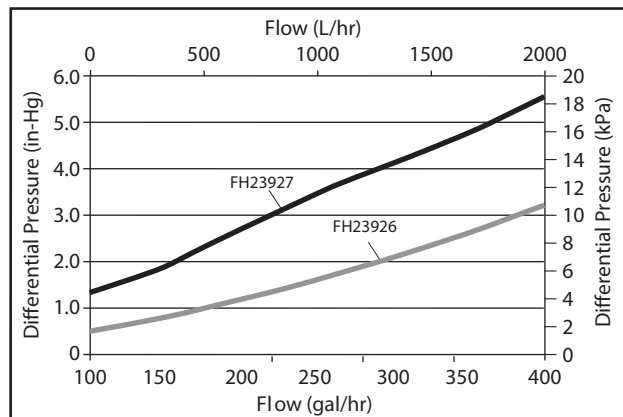
- Emulsified Water Separation: 95% efficiency at 300 gal/h (1135 L/h) flow per SAE J1488
- Free Water Separation: 95% efficiency at 300 gal/h (1135 L/h) flow per SAE J1839

Mounting/Dimensions



Performance

Filter Restriction vs Flow



Ordering Information

Housing Part Number	Filter Element	Primer Pump	WIF	Clear Bowl	Bracket Included	Heater	Check Valve	Bypass Valve	Fuel In & Fuel Out Port Size	Fuel In & Fuel Out Port Size (metric)
FH23922	FS53014*	No	Yes	Yes	Yes	No	No	No	In Center/Out Center	1-1/4" NPTF
FH23923	FS53014*	Yes	Yes	Yes	Yes	No	Yes	Yes	In Center/Out Center	1-1/4" NPTF

* Requires two filter elements

Replacement Filters

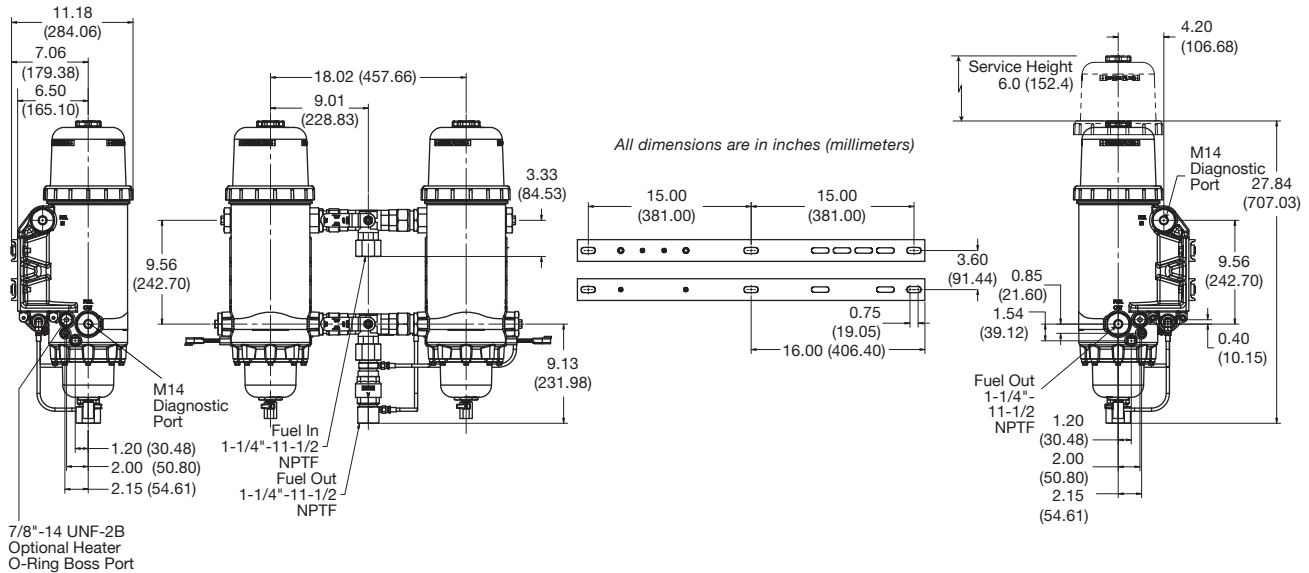
Part Number	Description
FS53014	EleMax™ NanoNet™ 5 micron (tall)

Filter Specifications

Elemax™ NanoNet™ Filter

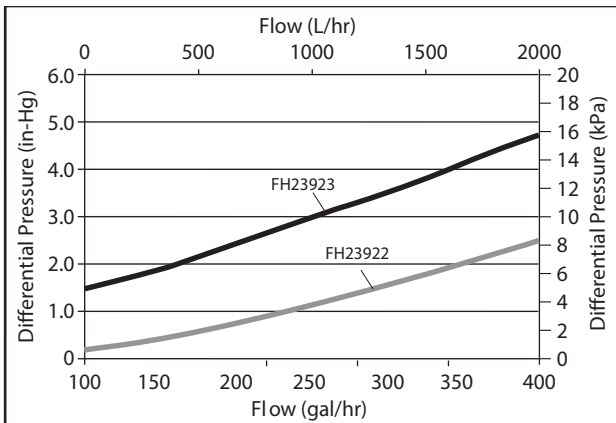
- Emulsified Water Separation: 95% efficiency at 600 gal/h (2271 L/h) flow per SAE J1488
- Free Water Separation: 95% efficiency at 600 gal/h (2271 L/h) flow per SAE J1839

Mounting/Dimensions



Performance

Filter Restriction vs Flow



Triple Tall

FH239 Series

Industrial Pro[®] Triple Tall

Ordering Information

Housing Part Number	Filter Element	Primer Pump	WIF	Clear Bowl	Bracket Included	Heater	Check Valve	Bypass Valve	Fuel In & Fuel Out Port Size	Fuel In & Fuel Out Port Size (metric)
FH23930	FS53014*	Yes	Yes	Yes	Yes	No	Yes	Yes	In Right/Out Right	1-1/4" NPTF

* Requires three filter elements

Replacement Filters

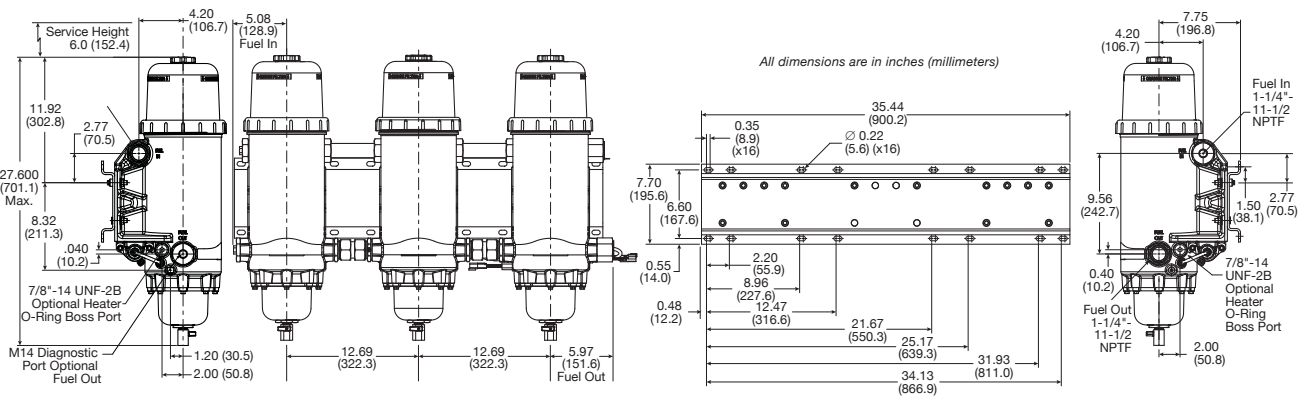
Part Number	Description
FS53014	EleMax™ NanoNet™ 5 micron (tall)

Filter Specifications

Elemax™ NanoNet™ Filter

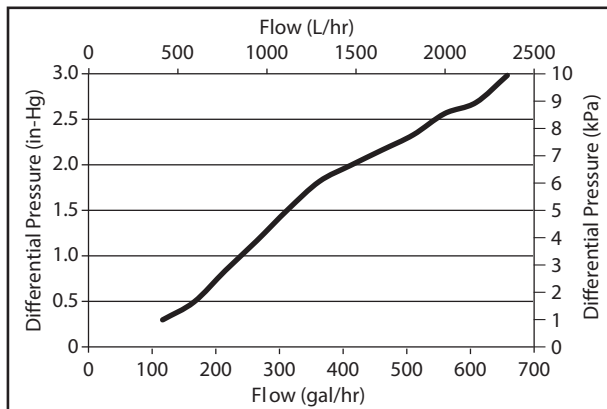
- Emulsified Water Separation: 95% efficiency at 600 gal/h (2271 L/h) flow per SAE J1488
- Free Water Separation: 95% efficiency at 600 gal/h (2271 L/h) flow per SAE J1839

Mounting/Dimensions



Performance

Filter Restriction vs Flow



Ordering Information

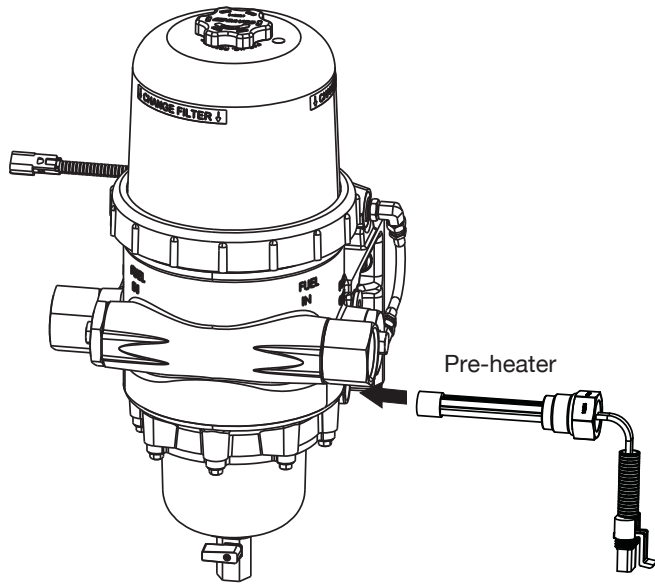
Part Number	Description
SP1312	12 VDC Pre-heater
SP1313	24 VDC Pre-heater

Specifications

Specification	SP1312	SP1313
Volts	12 VDC	24 VDC
Watts	195 W	195 W
Inrush Current	≤ 28 A	14 A
Average Current	< 12 A	< 7 A
Cold Resistance	0.425 - 0.575 Ω	2.0 - 3.0 Ω
Switch Open Temp.	N/A	N/A
Switch Closed Temp.	N/A	N/A

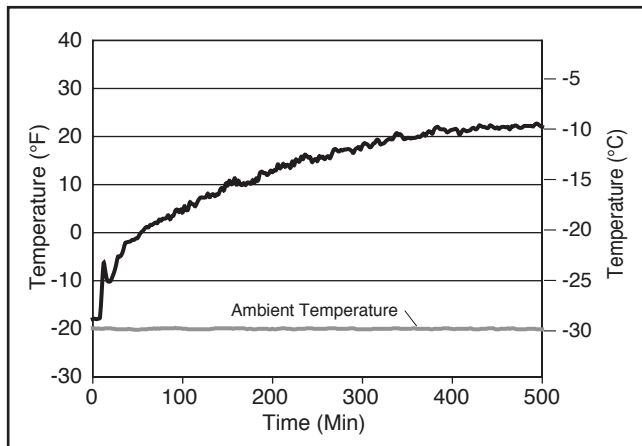
Specifications subject to change without notice.

Installation

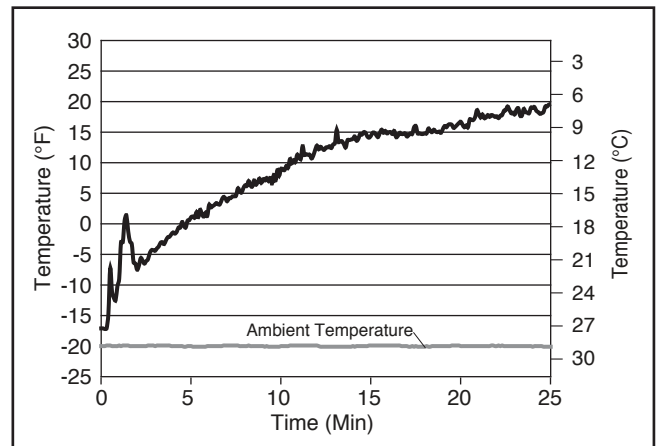


Performance

Temperature vs Time - #2 Diesel Fuel



Temperature vs Time - SME Biodiesel Fuel



Note: Tests for #2 Diesel Fuel run per ASTM D-975. Tests for SME (Soybean Methyl Ester) Biodiesel Fuel run per ASTM D-975 and ASTM D6751.

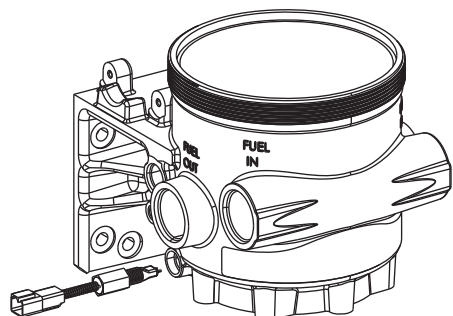


Ordering Information

Part Number	Description
SP1123 S	Water-In-Fuel (WIF) Sensor
3950729 S	WIF Wiring Harness
3946670 S	WIF LED

Note: The WIF sensor is not included, but can be purchased separately.

Installation



Specifications

Specification	WIF SP1123 S
Resistance Across Pins	82 k Ω \pm 2%
Voltage Rating	5 – 50 VDC
Signal Type	Analog
Thread	1/2" 20 UNF-2A
WIF Harness Connector	Deutsch DT04-2P
WIF Harness Length	12.09" (307 mm)

Specifications subject to change without notice.

