

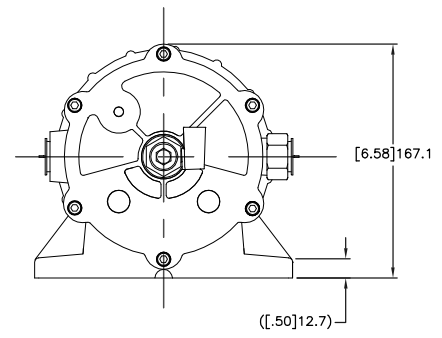
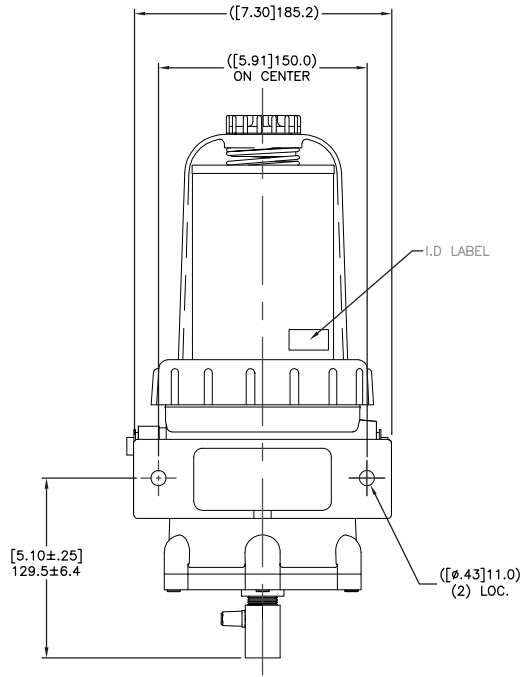
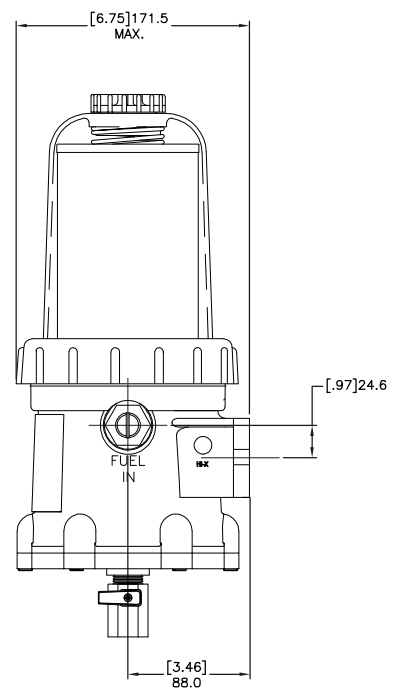
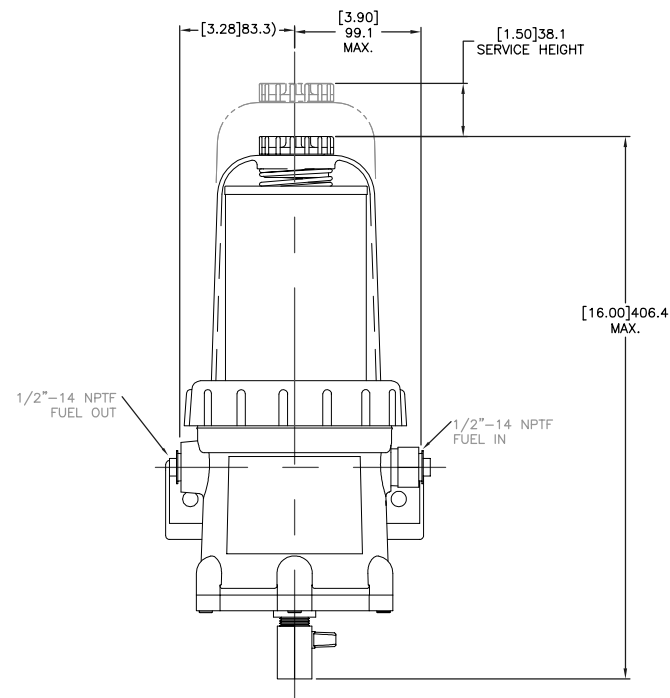
1 2 3 4 5 6 7 8 9 10 11 12

A
B
C
D
E
F
G
H

REVISIONS					
DWG REV	REL. NO.	DESCRIPTION	ORIG	DWN	DATE
00	P62138	RELEASE TO PRODUCTION	BJT	YTP	2006-12-27
01	P64936	UPGRADED INTERNAL SEAL TO HANDLE UP TO B20 PLUS-SIZED ELEMENT HOUSING AND OPTIONAL ELECTRIC HEATER UPGRADE 120DEGREE THERMOSWITCH	AF	KBJ	2008-08-06

THIS DOCUMENT CONTAINS PROPRIETARY INFORMATION AND SHALL NOT BE USED OR REPRODUCED OR ITS CONTENTS DISCLOSED IN WHOLE OR IN PART WITHOUT THE WRITTEN CONSENT OF GANCO MANUFACTURING.

REVISIONS					
REV	DESCRIPTION	DATE	DRAWN BY	APPROVED	ECO NO.
		00/00/00			



FOR CUSTOMER USE ONLY

FILTER RATING: 50 MICRON.

MANUFACTURER P.O. BOX 487 1600 WOODLAND DRIVE SCALE, IA 50176 USA		TELEPHONE: 734-439-8865 FAX: 734-439-0741	
DESIGNED BY: K. PINARD DATE: 1/19/08 CHECKED BY: MJC APPROVED BY: MJC RELEASED: 04/01/08 PAGE NO.: N/A	UNLESS OTHERWISE NOTED: DIMENSIONS ARE IN INCHES. DIMENSIONS AFTER PLATING UNLESS OTHERWISE SPECIFIED. *INITIAL SAMPLE APPROVAL REQUIRED.	TOLERANCES: FRACTIONAL DECIMAL ANGLES 1/12 13.0 0.010 1.25 ± 1°	THIRD ANGLE PROJECTION
ORIGINAL PRODUCTION ORDER: 4149 RELEASE NO.: 1 OF 1	PART NO.: 382, UNHEATED	QUANTITY: 1 DRAWN BY: D	REVISION: O
PART NO.: 382850FGD-50		PHONE NO.: 734-439-8865	

DIMENSIONS IN [] ARE MILLIMETERS

REVISE ON CAD ONLY DO NOT SCALE		MODIFICATION SUR CAO UNIQUEMENT SANS PROPORTIONS	
UNLESS OTHERWISE SPECIFIED, ALL DIMENSIONS ARE IN INCHES		TOUTES LES DIMENSIONS SONT EN IN SAUF SPECIFICATIONS CONTRAIRES	
3RD ANGLE PROJECTION	TOLERANCES UNLESS NOTED: TOLERANCES GENERALES: .XX in. ± .04 [± 1] .XXX in. ± .02 [± 0.5] X.XXX in. ± .005 [± 0.13] ± 1°	CLASSIFICATION OF CHARACTERISTICS REF. FGD 1-04 or FQP 1-04 CRITICAL MAJOR MINOR (NONE) CRITIQUE MAJEUR MINEUR (SANS)	
DR. BY: KBG FAIT PAR: KBG	DATE: 2008-08-06 VER PAR: SAB	DATE: 2008-08-06 APPV: AF	DATE: YYYY-MM-DD
SECTION CODE: FSX000		THIS DOCUMENT (AND THE INFORMATION SHOWN THEREON) IS CONFIDENTIAL AND PROPRIETARY AND SHALL NOT BE DISCLOSED TO OTHERS IN HARD COPY OR ELECTRONIC FORM, REPRODUCED BY ANY MEANS, OR USED FOR ANY PURPOSE WITHOUT WRITTEN CONSENT OF FLEETGUARD, INC.	
CONTROL: CKV CONTROLE: CKV			
DWG. SIZE: C FORMAT: C		PAC, FH	
LAST DATUM: --- DERN. REF.: --- LAST SECTION: --- DERN. SECTION: ---		DWG. NO.: FH2303000	
SCALE: NTS ECHELLE: NTS		SHEET 1 OF 1	

1 2 3 4 5 6 7 8 9 10 11 12