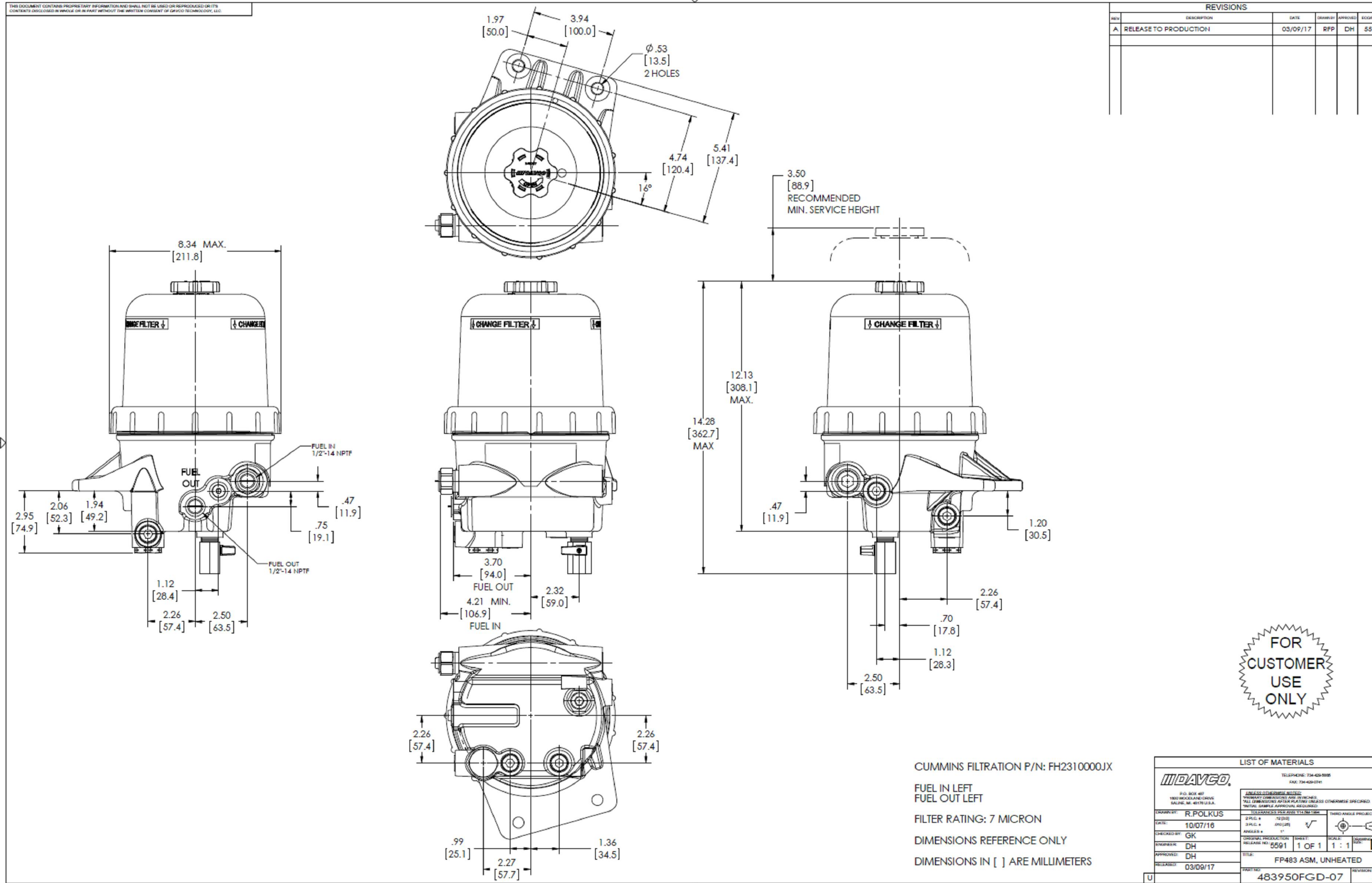


SPECIFICATION REVISIONS					
REV	ECO NO	DESCRIPTION	DATE	DRAWN BY	CHECKED BY
A	0046326	RELEASED PURCHASED FINISHED	16MAR2017	SRP	ANN

THIS DOCUMENT CONTAINS PROPRIETARY INFORMATION AND SHALL NOT BE LOANED OR REPRODUCED OR ITS CONTENTS DISCLOSED IN WHOLE OR IN PART WITHOUT THE WRITTEN CONSENT OF CUMMINS FILTRATION, LLC.



FOR CUSTOMER USE ONLY

SUPPLIER DRAWING

THIS DRAWING AND ALL OF THE INFORMATION IS FOR THE USE OF CUMMINS FILTRATION ONLY AND SHALL NOT BE DISCLOSED TO ANY THIRD PARTY

CUMMINS FILTRATION P/N: FH231000JX
 FUEL IN LEFT
 FUEL OUT LEFT
 FILTER RATING: 7 MICRON
 DIMENSIONS REFERENCE ONLY
 DIMENSIONS IN [] ARE MILLIMETERS

LIST OF MATERIALS			
INVADED	TELEPHONE: 734-628-8888	FAX: 734-628-0791	
P.O. BOX 487 1900 WOODLAND AVENUE SALINE, MI 48783 U.S.A.			
UNLESS OTHERWISE SPECIFIED: DIMENSIONS ARE IN INCHES TOLERANCES ARE AS SHOWN FINISH: UNLESS OTHERWISE SPECIFIED MATERIAL: UNLESS OTHERWISE SPECIFIED			
DRAWN BY: R.POLKUS	DATE: 10/07/16	CHECKED BY: GK	APPROVED BY: DH
ENGINEER: DH	DESIGN NO: 5591	SHEET: 1 OF 1	SCALE: 1 : 1
REVISED: 03/09/17	TITLE: FP483 ASM, UNHEATED	PROJ NO: 483950FGD-07	REVISION: A

PART NAME		A057L871		Cummins Filtration	
MATERIALS REQUIRED TO COMPLY WITH CES 10993	CUSTOMER NAME	FLEETGUARD	CUSTOMER PART NAME	FH23100	
CLASSIFICATION OF CHARACTERISTICS PER FIG. 1-04	DESIGN MARKETING NAME	FH23100			
● CRITICAL	PART DESCRIPTION				
● MAJOR	HOUSING, LIQUID FILTER				
▲ SIGNIFICANT MINOR	UNLESS OTHERWISE SPECIFIED TOLERANCES SHALL BE AS FOLLOWS:				
THIRD ANGLE PROJECTION	SIZE	XX	XXX	XXX	XXX
	SCALE	NA	NA	NA	NA
	DO NOT SCALE DRAWINGS UNLESS OTHERWISE SPECIFIED	ALL DIMENSIONS ARE IN INCHES			
FOR INTERPRETATION OF DIMENSIONING AND TOLERANCING, SEE FIG. 114.5-2009	SIZE	SPECIFICATION NAME			SHEET
	D	00403712			1 OF 1