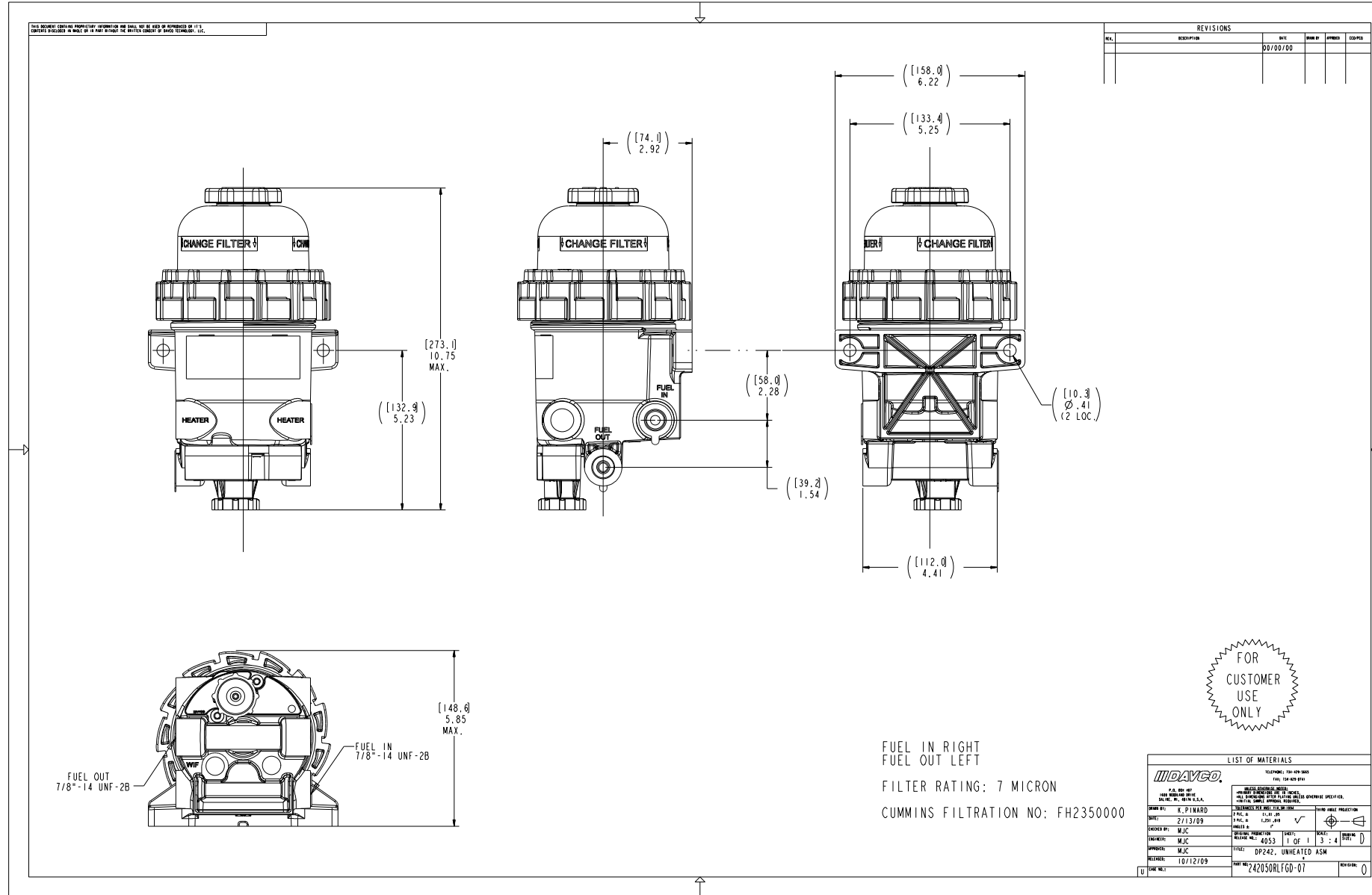


NOTE:
1. DRAWING INTERPRETATION PER ASME Y14.5-2009.

REVISIONS				
REVISION	REL. NO	DESCRIPTION	DWN	DATE
A	P6493T	RELEASED TO PRODUCTION	PVM	2009-10-16



REVISIONS				
NO.	DESCRIPTION	DATE	BY	CHKD
		09/09/00		

LIST OF MATERIALS	
ITEM NO.	DESCRIPTION
1	DP242, UNHEATED ASM
2	242050R1FG0-01

FOR
CUSTOMER
USE
ONLY

FUEL IN RIGHT
FUEL OUT LEFT
FILTER RATING: 7 MICRON
CUMMINS FILTRATION NO: FH2350000

SUPPLIER DRAWING
ONLY THE SUPPLIER MAY
REVISE THIS DRAWING.
THIS DRAWING AND THE
INFORMATION CONTAINED
THEREIN ARE FOR THE USE
OF CUMMINS FILTRATION ONLY AND
SHALL NOT BE DISCLOSED
TO ANY THIRD PARTY.

PRO/I RELEASE:	PRO/I VERSION:
REVISE ON PRO-E ONLY DO NOT SCALE	MODIFICATION SUR CAO UNIQUEMENT SANS PROPORTIONS
UNLESS OTHERWISE SPECIFIED, ALL DIMENSIONS ARE IN MILLIMETERS	TOUTES LES DIMENSIONS SONT EN mm SAUF SPECIFICATIONS CONTRAIRES
TOLERANCES UNLESS NOTED: TOLERANCES GENERALES: X ±1 XX ±0.5 XXX ±0.13	CLASSIFICATION OF CHARACTERISTICS REF. FGD 1-04 or FOP 1-04 CRITICAL MAJOR MINOR CRITIQUE MAJEUR MINEUR
DR. BY: PVM FAIT PAR: PVM	DATE: 2009-10-16 VER PAR: SAB DATE: 2009-10-16 APPV: *
SECTION CODE: CODE MATIERE: FSX000	THIS DOCUMENT (AND THE INFORMATION SHOWN THEREON) IS CONFIDENTIAL AND PROPRIETARY AND SHALL NOT BE DISCLOSED TO OTHERS IN HARD COPY OR ELECTRONIC FORM, REPRODUCED BY ANY MEANS, OR USED FOR ANY PURPOSE WITHOUT WRITTEN CONSENT OF CUMMINS FILTRATION.
CONTROL: CONTROLE: CKV	
MAINT. LOC: LIEU MAINT: CKV	
DWG. SIZE: FORMAT: D	NAME
LAST DATUM: DERN. REF.: --	PAC, FS
LAST SECTION: DERN. SECTION: --	DWG. NO.
SCALE ECHELLE 1:1	FH2350000
SHEET 1 OF 1	

DIMENSIONS IN [] ARE INCHES