

### Specifications

| Specification                | AH19063                           | AH19064                           |
|------------------------------|-----------------------------------|-----------------------------------|
| Length Overall               | 17.7" (448.0 mm)                  | 17.7" (448.0 mm)                  |
| Body OD, Max.                | 6.6" (166.4 mm)                   | 6.6" (166.4 mm)                   |
| Flow, Min. (2" Restriction)  | 72 CFM (2.0 m <sup>3</sup> /min)  | 65 CFM (1.8 m <sup>3</sup> /min)  |
| Flow, Max. (12" restriction) | 188 CFM (5.3 m <sup>3</sup> /min) | 168 CFM (4.8 m <sup>3</sup> /min) |
| Secondary Element            | No                                | Yes                               |
| Housing Material             | Metal                             | Metal                             |
| Pre-cleaner Integral         | Yes                               | Yes                               |

### Dust Holding Capacity per Cummins® Specification

| Specification               | AH19063                             | AH19064                             |
|-----------------------------|-------------------------------------|-------------------------------------|
| Allowable Flow for 10 g/CFM | <184 CFM (5.2 m <sup>3</sup> /min)  | < 159 CFM (4.5 m <sup>3</sup> /min) |
| Allowable Flow for 25 g/CFM | < 143 CFM (4.0 m <sup>3</sup> /min) | <123 CFM (3.5 m <sup>3</sup> /min)  |

Specifications subject to change without notice.

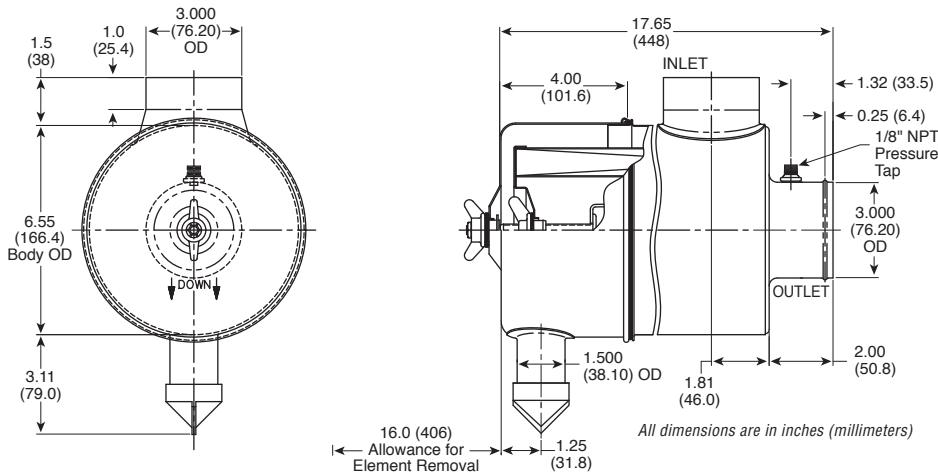
## Ordering Information

| Air Cleaners |  |
|--------------|--|
| Part Number  | Description                                      |
| AH19063      | Metal Air Cleaner<br>– without Secondary Element |
| AH19064      | Metal Air Cleaner<br>– with Secondary Element    |

| Accessories |                          |
|-------------|--------------------------|
| Part Number | Description              |
| 3918220S    | Mounting Bracket         |
| 2           | No. of Brackets Required |
| 3316656S    | Outlet Band Clamps       |
| 3918202S    | Weather Hood             |
| 3316606S    | Hump-Hose                |
| 3316566S    | 90° Elbow                |
| N/A         | 90° Reducing Elbow       |
| 3946326S    | Restriction Indicator    |

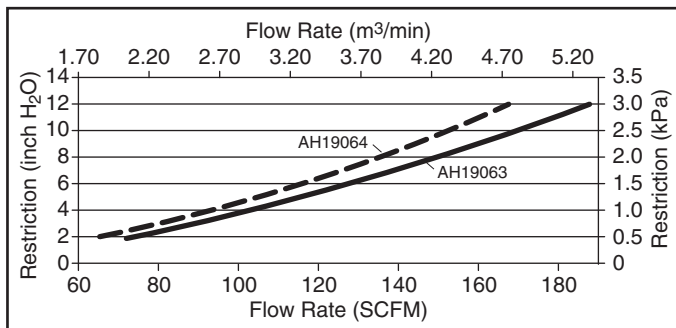
| Service Parts        |                        |
|----------------------|------------------------|
| Part Number          | Description            |
| AF1606K              | Primary Element        |
| AF1606KM             | Magnum Primary Element |
| AF1982               | Secondary Element      |
| 3946457S             | Dust Ejection Valve    |
| 3955488S<br>3955489S | Wing Nut/Clips         |
| 3955470S             | Cover Assembly         |

## Dimensions

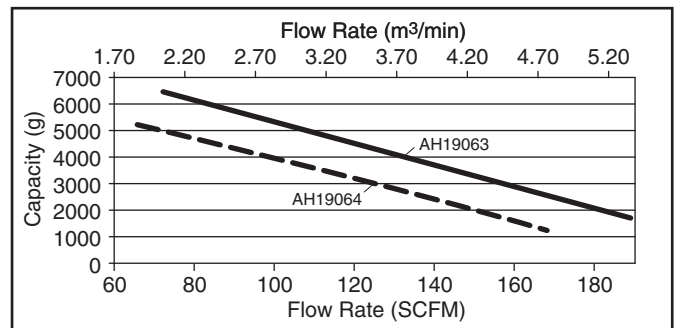


## Performance

### System Restriction vs Flow Rate

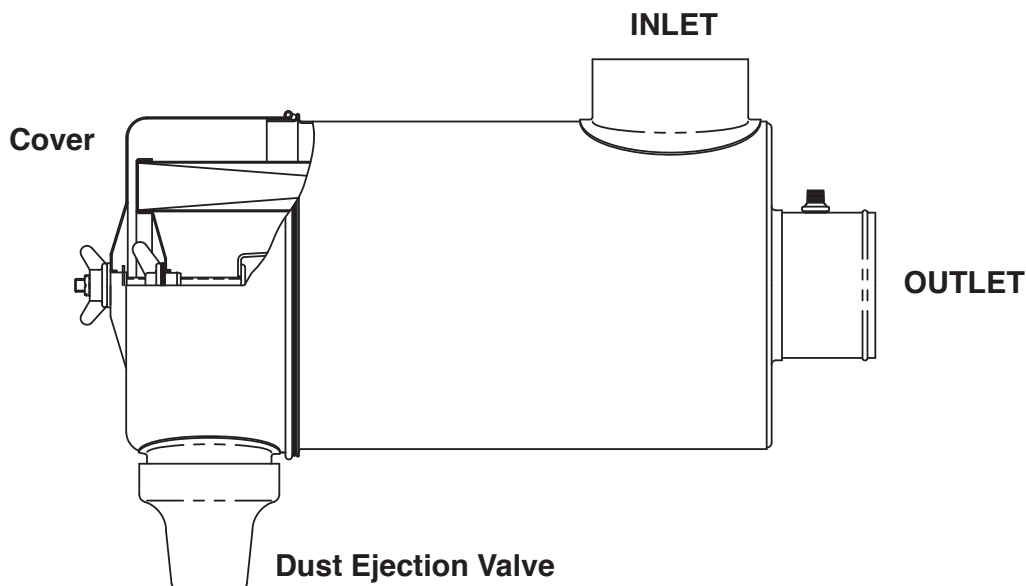


### Typical System Capacity vs Flow Rate



| Restriction         |     | Flow Rate<br>( ) = with Secondary |                     | Typical Capacity<br>( ) = with Secondary |
|---------------------|-----|-----------------------------------|---------------------|--|
| in H <sub>2</sub> O | kPa | CFM                               | m <sup>3</sup> /min | grams                                    |
| 6                   | 1.5 | 128 (116)                         | 3.62 (3.29)         | 4159 (3316)                              |
| 8                   | 2.0 | 150 (135)                         | 4.25 (3.82)         | 3258 (2552)                              |
| 10                  | 2.5 | 170 (153)                         | 4.81 (4.33)         | 2450 (1850)                              |
| 12                  | 3.0 | 188 (168)                         | 5.32 (4.76)         | 1710 (1192)                              |

ISO Coarse Dust  
2.0 g/m<sup>3</sup> Feed Rate  
6.25 kPa (25" H<sub>2</sub>O) Terminal Restriction



### Specifications

| Specification                | AH19065                           | AH19066                           |
|------------------------------|-----------------------------------|-----------------------------------|
| Length Overall               | 16.1" (458.5 mm)                  | 16.1" (458.5 mm)                  |
| Body OD, Max.                | 7.9" (200.4 mm)                   | 7.9" (200.4 mm)                   |
| Flow, Min. (2" Restriction)  | 130 CFM (3.7 m <sup>3</sup> /min) | 105 CFM (3.0 m <sup>3</sup> /min) |
| Flow, Max. (12" Restriction) | 331 CFM (9.4 m <sup>3</sup> /min) | 280 CFM (7.9 m <sup>3</sup> /min) |
| Secondary Element            | No                                | Yes                               |
| Housing Material             | Metal                             | Metal                             |
| Pre-cleaner Integral         | Yes                               | Yes                               |

### Dust Holding Capacity per Cummins® Specification

| Specification               | AH19065                              | AH19066                              |
|-----------------------------|--------------------------------------|--------------------------------------|
| Allowable Flow for 10 g/CFM | < 331 CFM (9.4 m <sup>3</sup> /min)* | < 280 CFM (7.9 m <sup>3</sup> /min)* |
| Allowable Flow for 25 g/CFM | < 256 CFM (7.3 m <sup>3</sup> /min)  | < 240 CFM (6.8 m <sup>3</sup> /min)  |

\* Flow rate limited by restriction.

Specifications subject to change without notice.

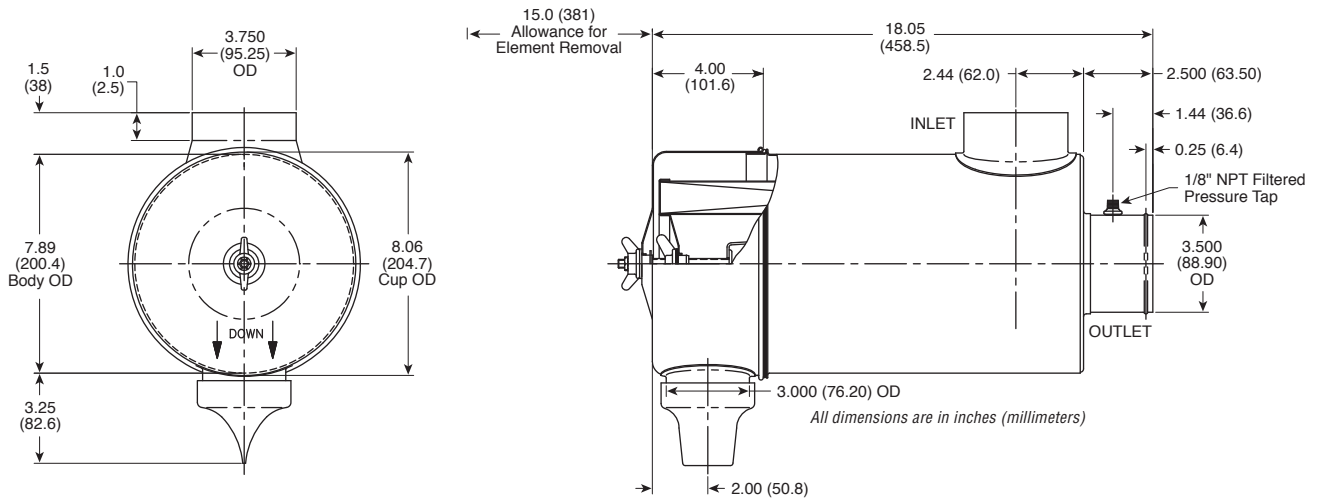
## Ordering Information

| Air Cleaners |  |
|--------------|--|
| Part Number  | Description                                      |
| AH19065      | Metal Air Cleaner<br>– without Secondary Element |
| AH19066      | Metal Air Cleaner<br>– with Secondary Element    |

| Accessories |                          |
|-------------|--------------------------|
| Part Number | Description              |
| 3918222S    | Mounting Bracket         |
| 2           | No. of Brackets Required |
| 3316657S    | Outlet Band Clamps       |
| 3918203S    | Weather Hood             |
| 3316607S    | Hump-Hose                |
| 3316567S    | 90° Elbow                |
| N/A         | 90° Reducing Elbow       |
| 3946326S    | Restriction Indicator    |

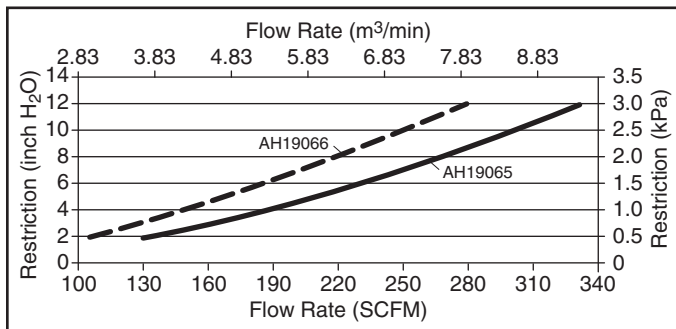
| Service Parts |                        |
|---------------|------------------------|
| Part Number   | Description            |
| AF4059K       | Primary Element        |
| N/A           | Magnum Primary Element |
| AF4103        | Secondary Element      |
| Q06316        | Dust Ejection Valve    |
| 3955488S      | Wing Nut/Clips         |
| 3955489S      |                        |
| 3955469S      | Cover Assembly         |

## Dimensions

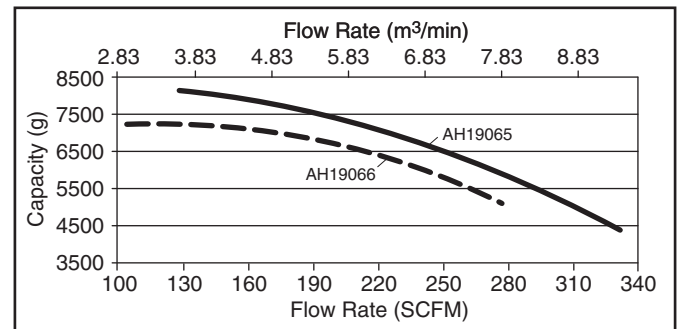


## Performance

### System Restriction vs Flow Rate



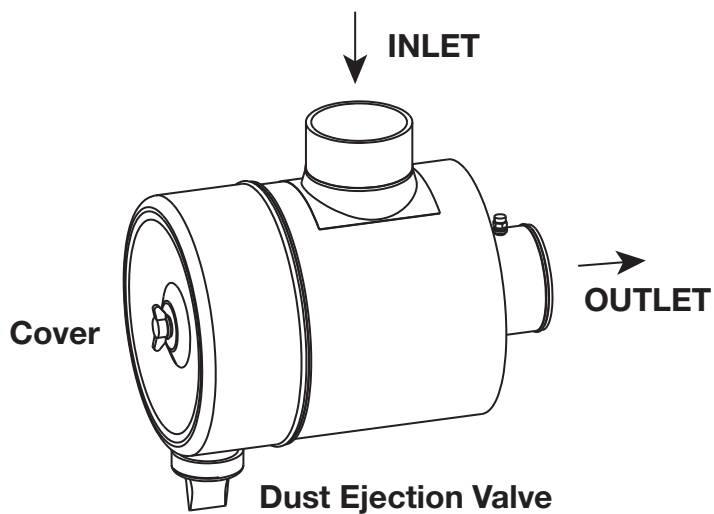
### Typical System Capacity vs Flow Rate



| Restriction         |     | Flow Rate<br>( ) = with Secondary |                     | Typical Capacity<br>( ) = with Secondary |
|---------------------|-----|-----------------------------------|---------------------|--|
| in H <sub>2</sub> O | kPa | CFM                               | m <sup>3</sup> /min | grams                                    |
| 6                   | 1.5 | 230 (185)                         | 6.51 (5.24)         | 6927 (6897)                              |
| 8                   | 2.0 | 268 (219)                         | 7.59 (6.20)         | 6146 (6415)                              |
| 10                  | 2.5 | 301 (251)                         | 8.52 (7.11)         | 5302 (5787)                              |
| 12                  | 3.0 | 331 (280)                         | 9.37 (7.93)         | 4412 (5042)                              |

ISO Coarse Dust  
2.0 g/m<sup>3</sup> Feed Rate  
6.25 kPa (25" H<sub>2</sub>O) Terminal Restriction





### Specifications

| Specification                | AH19069                            | AH19070                            |
|------------------------------|------------------------------------|------------------------------------|
| Length Overall               | 18.5" (469.4 mm)                   | 18.5" (469.4 mm)                   |
| Body OD, Max.                | 12.1" (306.6 mm)                   | 12.1" (306.6 mm)                   |
| Flow, Min. (2" Restriction)  | 240 CFM (6.8 m <sup>3</sup> /min)  | 175 CFM (5.0 m <sup>3</sup> /min)  |
| Flow, Max. (12" Restriction) | 631 CFM (17.9 m <sup>3</sup> /min) | 447 CFM (12.7 m <sup>3</sup> /min) |
| Secondary Element            | No                                 | Yes                                |
| Housing Material             | Metal                              | Metal                              |
| Pre-cleaner Integral         | Yes                                | Yes                                |

### Dust Holding Capacity per Cummins® Specification

| Specification               | AH19069                              | AH19070                              |
|-----------------------------|--------------------------------------|--------------------------------------|
| Allowable Flow for 3 g/CFM  | < 615 CFM (17.4 m <sup>3</sup> /min) | < 441 CFM (12.5 m <sup>3</sup> /min) |
| Allowable Flow for 10 g/CFM | < 495 CFM (14.0 m <sup>3</sup> /min) | < 441 CFM (12.5 m <sup>3</sup> /min) |
| Allowable Flow for 25 g/CFM | < 329 CFM (9.3 m <sup>3</sup> /min)  | < 320 CFM (9.1 m <sup>3</sup> /min)  |

Specifications subject to change without notice.

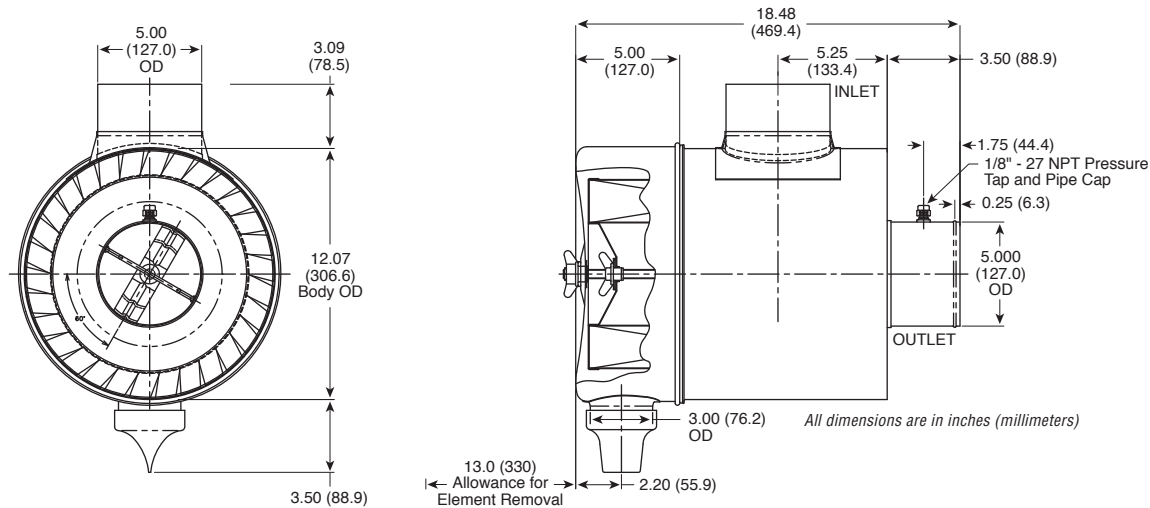
## Ordering Information

| Air Cleaners |  |
|--------------|--|
| Part Number  | Description                                      |
| AH19069      | Metal Air Cleaner<br>– without Secondary Element |
| AH19070      | Metal Air Cleaner<br>– with Secondary Element    |

| Accessories |                          |
|-------------|--------------------------|
| Part Number | Description              |
| 3918231S    | Mounting Bracket         |
| 2           | No. of Brackets Required |
| 3316660S    | Outlet Band Clamps       |
| 3918205S    | Weather Hood             |
| 3316610S    | Hump-Hose                |
| 3316570S    | 90° Elbow                |
| N/A         | 90° Reducing Elbow       |
| 3946326S    | Restriction Indicator    |

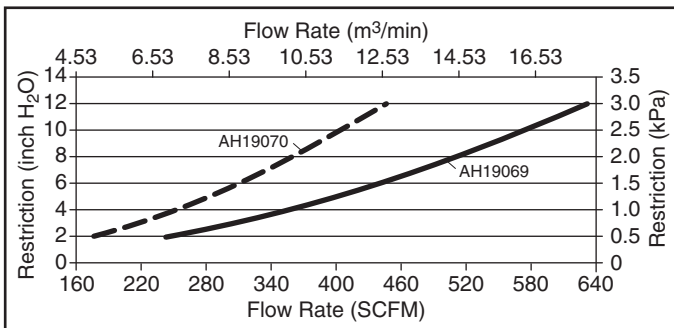
| Service Parts |                        |
|---------------|------------------------|
| Part Number   | Description            |
| AF418         | Primary Element        |
| AF418M        | Magnum Primary Element |
| AF490M        | Secondary Element      |
| Q06316        | Dust Ejection Valve    |
| 3955482S      | Wing Nut/Clips         |
| 3955487S      |                        |
| 3955466S      | Cover Assembly         |

## Dimensions

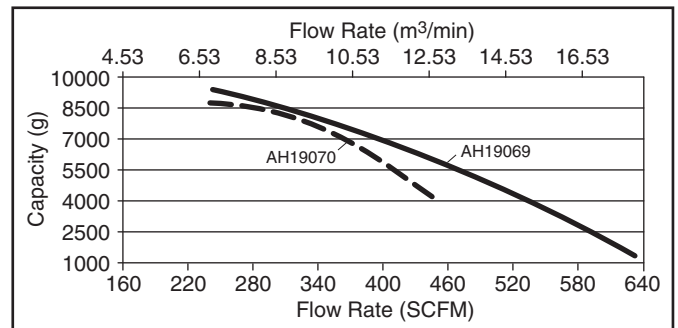


## Performance

### System Restriction vs Flow Rate



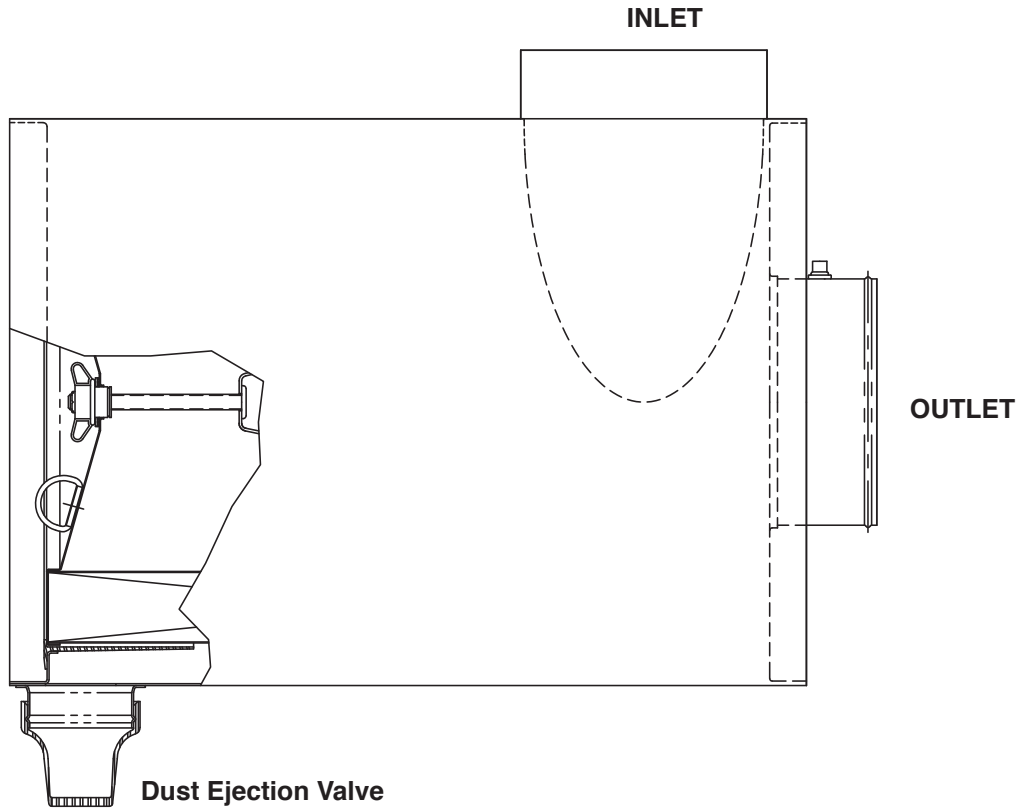
### Typical System Capacity vs Flow Rate



| Restriction         |     | Flow Rate<br>( ) = with Secondary |               | Typical Capacity<br>( ) = with Secondary |
|---------------------|-----|-----------------------------------|---------------|--|
| in H <sub>2</sub> O | kPa | CFM                               | m³/min        | grams                                    |
| 6                   | 1.5 | 439 (310)                         | 12.43 (8.78)  | 6187 (8161)                              |
| 8                   | 2.0 | 511 (361)                         | 14.47 (10.22) | 4580 (7101)                              |
| 10                  | 2.5 | 574 (406)                         | 16.26 (11.50) | 2984 (5743)                              |
| 12                  | 3.0 | 631 (447)                         | 17.87 (12.66) | 1397 (4171)                              |

ISO Coarse Dust  
2.0 g/m³ Feed Rate  
6.25 kPa (25" H<sub>2</sub>O) Terminal Restriction





**Specifications**

| Specification                | AH19073                             | AH19074                             |
|------------------------------|-------------------------------------|-------------------------------------|
| Length Overall               | 24.6" (625.9 mm)                    | 24.6" (625.9 mm)                    |
| Body OD, Max.                | 16.1" (408.9 mm)                    | 16.1" (408.9 mm)                    |
| Flow, Min. (2" Restriction)  | 570 CFM (16.4 m <sup>3</sup> /min)  | 555 CFM (15.7 m <sup>3</sup> /min)  |
| Flow, Max. (12" Restriction) | 1275 CFM (36.1 m <sup>3</sup> /min) | 1224 CFM (34.7 m <sup>3</sup> /min) |
| Secondary Element            | No                                  | Yes                                 |
| Housing Material             | Metal                               | Metal                               |
| Pre-cleaner Integral         | Yes                                 | Yes                                 |
| Filter Efficiency            | ≥ 99.90% per ISO 5011               | ≥ 99.90% per ISO 5011               |

**Dust Holding Capacity per Cummins® Specification**

| Specification               | AH19073                                | AH19074                              |
|-----------------------------|--|--------------------------------------|
| Allowable Flow for 10 g/CFM | < 1275 CFM (36.1 m <sup>3</sup> /min)* | 1224 CFM (34.7 m <sup>3</sup> /min)* |
| Allowable Flow for 25 g/CFM | < 938 CFM (26.6 m <sup>3</sup> /min)   | 917 CFM (26.0 m <sup>3</sup> /min)   |

\* Flow rate limited by restriction.

Specifications subject to change without notice.

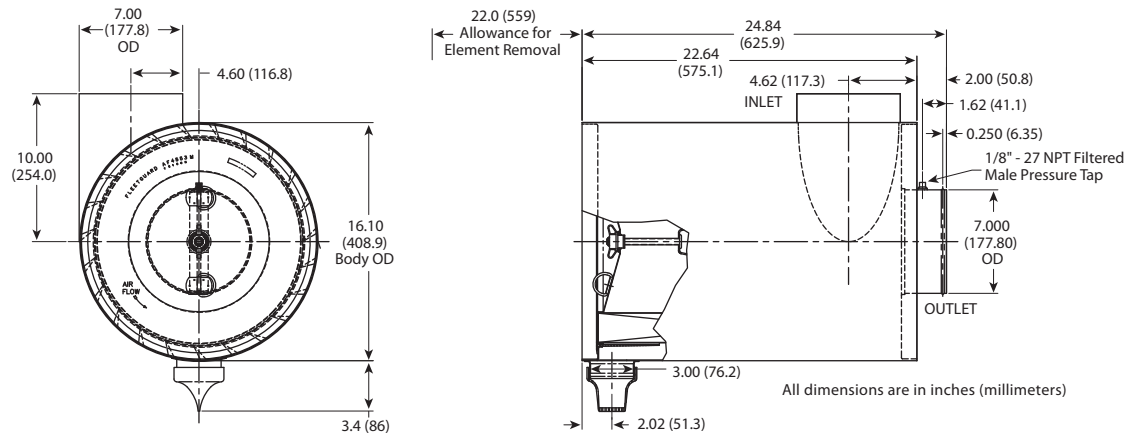
## Ordering Information

| Air Cleaners |  |
|--------------|--|
| Part Number  | Description                                      |
| AH19073      | Metal Air Cleaner<br>– without Secondary Element |
| AH19074      | Metal Air Cleaner<br>– with Secondary Element    |

| Accessories                      |                          |
|----------------------------------|--------------------------|
| Part Number                      | Description              |
| 3918236S                         | Mounting Bracket         |
| 2                                | No. of Brackets Required |
| 3316663S                         | Outlet Band Clamps       |
| 3918208S<br>3918209S             | Weather Hood             |
| 3316613S                         | Hump-Hose                |
| 3316576S                         | 90° Elbow                |
| 3316591S<br>3316592S<br>3316593S | 90° Reducing Elbow       |
| 3946326S                         | Restriction Indicator    |

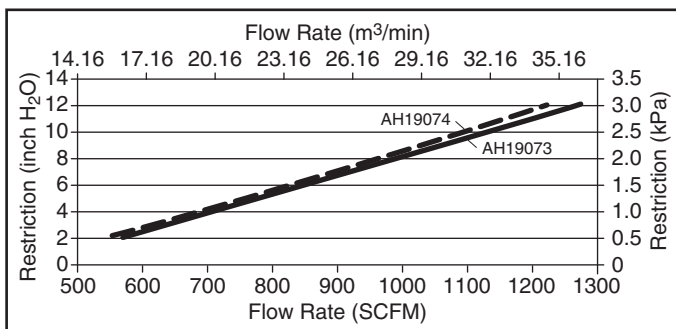
| Service Parts |                        |
|---------------|------------------------|
| Part Number   | Description            |
| AF4553M       | Primary Element        |
| AF4553M       | Magnum Primary Element |
| AF4554M       | Secondary Element      |
| Q06316        | Dust Ejection Valve    |
| 3955490S      | Wing Nut/Clips         |
| N/A           | Cover Assembly         |

## Dimensions

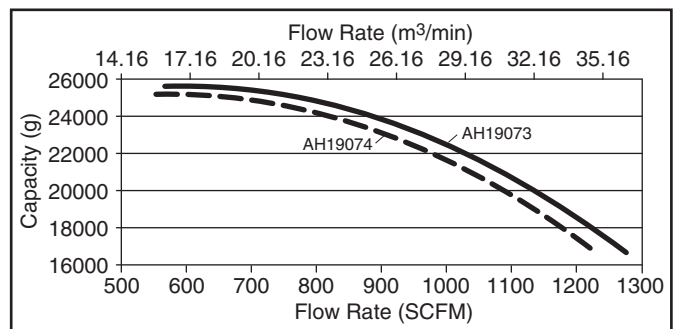


## Performance

### System Restriction vs Flow Rate



### Typical System Capacity vs Flow Rate

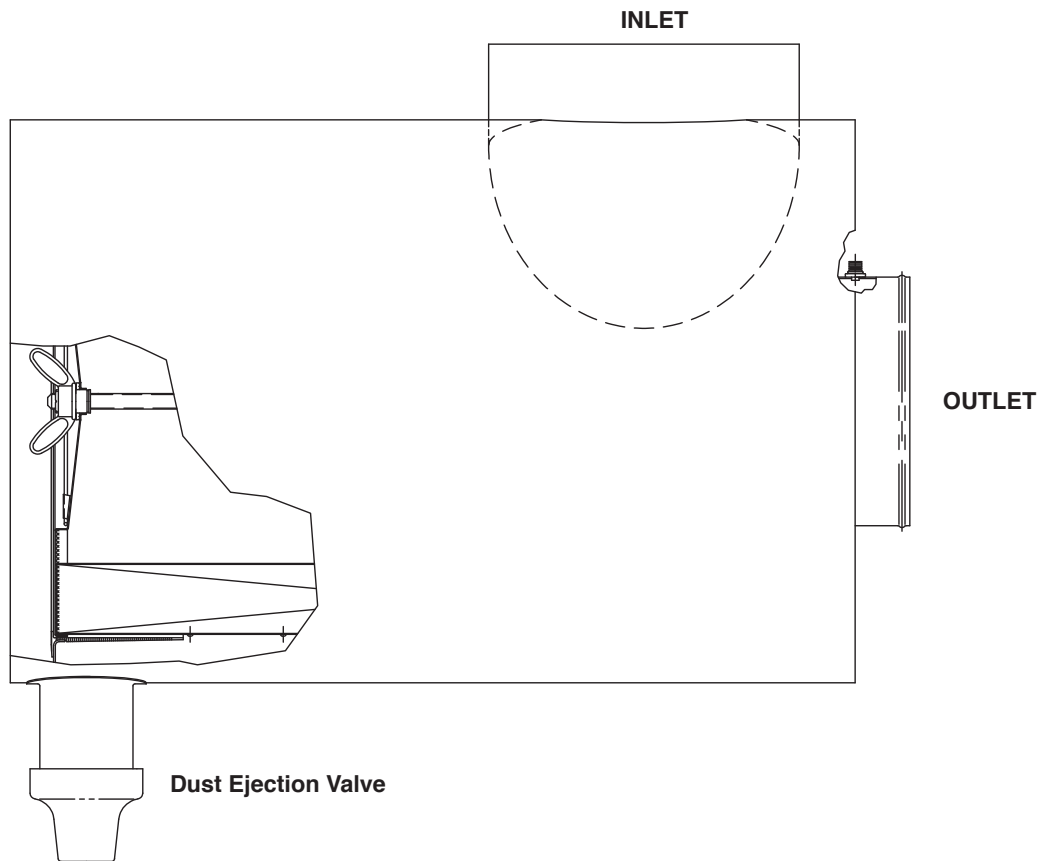


| Restriction         |     | Flow Rate<br>( ) = with Secondary |                     | Typical Capacity<br>( ) = with Secondary |
|---------------------|-----|-----------------------------------|---------------------|--|
| in H <sub>2</sub> O | kPa | CFM                               | m <sup>3</sup> /min | grams                                    |
| 6                   | 1.5 | 844 (832)                         | 23.90 (23.56)       | 24507 (23938)                            |
| 8                   | 2.0 | 987 (967)                         | 27.95 (27.39)       | 22726 (22166)                            |
| 10                  | 2.5 | 1131 (1098)                       | 32.03 (31.10)       | 20130 (19751)                            |
| 12                  | 3.0 | 1275 (1224)                       | 36.11 (34.66)       | 16719 (16757)                            |

ISO Coarse Dust  
2.0 g/m<sup>3</sup> Feed Rate  
6.25 kPa (25" H<sub>2</sub>O) Terminal Restriction







**Specifications**

| Specification                | AH19075                             | AH19076                             |
|------------------------------|-------------------------------------|-------------------------------------|
| Length Overall               | 27.3" (693.0 mm)                    | 27.3" (693.0 mm)                    |
| Body OD, Max.                | 18.1" (460.2 mm)                    | 18.1" (460.2 mm)                    |
| Flow, Min. (2" Restriction)  | 700 CFM (19.8 m <sup>3</sup> /min)  | 650 CFM (18.4 m <sup>3</sup> /min)  |
| Flow, Max. (12" Restriction) | 1815 CFM (51.4 m <sup>3</sup> /min) | 1765 CFM (50.0 m <sup>3</sup> /min) |
| Secondary Element            | No                                  | Yes                                 |
| Housing Material             | Metal                               | Metal                               |
| Pre-cleaner Integral         | Yes                                 | Yes                                 |
| Filter Efficiency            | ≥ 99.90% per ISO 5011               | ≥ 99.90% per ISO 5011               |

**Dust Holding Capacity per Cummins® Specification**

| Specification               | AH19075                                | AH19076                              |
|-----------------------------|--|--------------------------------------|
| Allowable Flow for 10 g/CFM | < 1815 CFM (51.4 m <sup>3</sup> /min)* | 1765 CFM (50.0 m <sup>3</sup> /min)* |
| Allowable Flow for 25 g/CFM | < 1320 CFM (37.4 m <sup>3</sup> /min)  | 1260 CFM (35.9 m <sup>3</sup> /min)  |

\* Flow rate limited by restriction.

Specifications subject to change without notice.

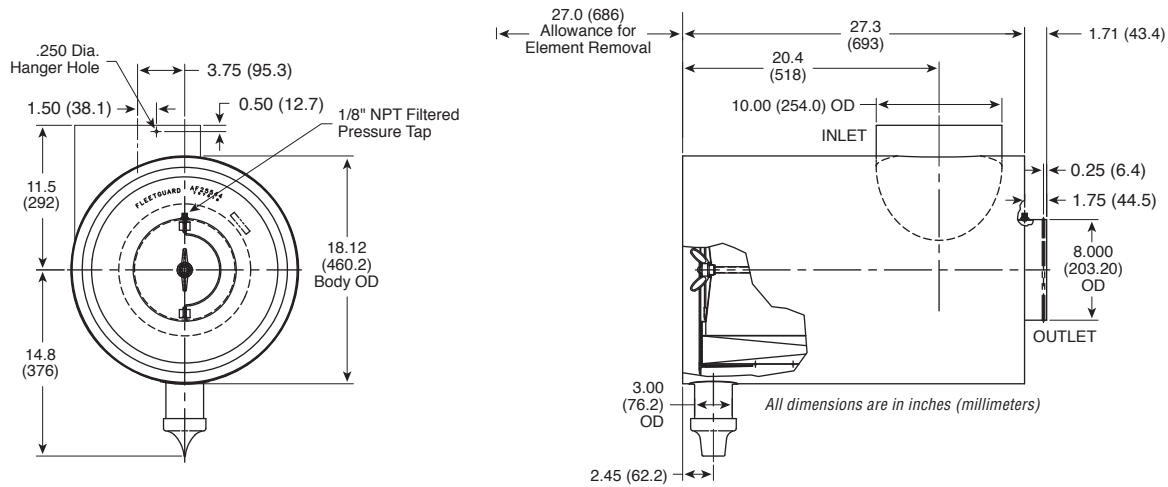
## Ordering Information

| Air Cleaners |  |
|--------------|--|
| Part Number  | Description                                      |
| AH19075      | Metal Air Cleaner<br>– without Secondary Element |
| AH19076      | Metal Air Cleaner<br>– with Secondary Element    |

| Accessories |                          |
|-------------|--------------------------|
| Part Number | Description              |
| 3918237S    | Mounting Bracket         |
| 2           | No. of Brackets Required |
| 3316664S    | Outlet Band Clamps       |
| 3940356S    | Weather Hood             |
| 3316614S    | Hump-Hose                |
| 3316577S    | 90° Elbow                |
| N/A         | 90° Reducing Elbow       |
| 3946326S    | Restriction Indicator    |

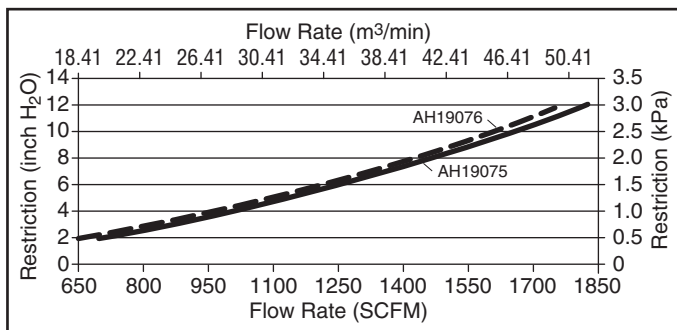
| Service Parts |                        |
|---------------|------------------------|
| Part Number   | Description            |
| AF25544       | Primary Element        |
| N/A           | Magnum Primary Element |
| AF25545       | Secondary Element      |
| Q06316        | Dust Ejection Valve    |
| 3955479S      | Wing Nut/Clips         |
| N/A           | Cover Assembly         |

## Dimensions

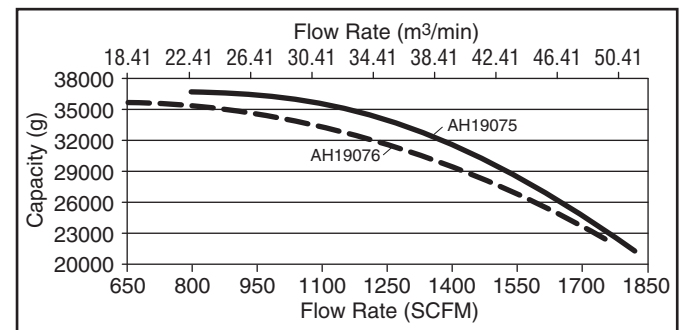


## Performance

### System Restriction vs Flow Rate



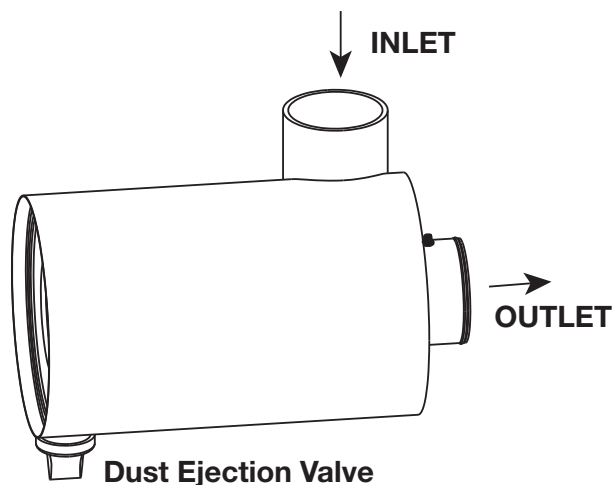
### Typical System Capacity vs Flow Rate



| Restriction         |     | Flow Rate<br>( ) = with Secondary |               | Typical Capacity<br>( ) = with Secondary |
|---------------------|-----|-----------------------------------|---------------|--|
| in H <sub>2</sub> O | kPa | CFM                               | m³/min        | grams                                    |
| 6                   | 1.5 | 1250 (1211)                       | 35.40 (34.30) | 33992 (32113)                            |
| 8                   | 2.0 | 1461 (1418)                       | 41.38 (40.16) | 30490 (29169)                            |
| 10                  | 2.5 | 1650 (1600)                       | 46.73 (45.31) | 26181 (25850)                            |
| 12                  | 3.0 | 1821 (1765)                       | 51.57 (49.98) | 21281 (22266)                            |

ISO Coarse Dust  
2.0 g/m<sup>3</sup> Feed Rate  
6.25 kPa (25" H<sub>2</sub>O) Terminal Restriction





### Specifications

| Specification                | AH19259                            |
|------------------------------|------------------------------------|
| Length Overall               | 25.1" (636.3 mm)                   |
| Body OD                      | 14.1" (358.1 mm)                   |
| Flow, Min. (2" Restriction)  | 355 CFM (10.1 m <sup>3</sup> /min) |
| Flow, Max. (12" Restriction) | 897 CFM (25.4 m <sup>3</sup> /min) |
| Secondary Element            | Yes                                |
| Housing Material             | Metal                              |
| Pre-cleaner Integral         | Yes                                |

### Dust Holding Capacity per Cummins® Specification

| Specification               | AH19259                               |
|-----------------------------|---------------------------------------|
| Allowable Flow for 10 g/CFM | < 897 CFM (25.4 m <sup>3</sup> /min)* |
| Allowable Flow for 25 g/CFM | < 841 CFM (23.8 m <sup>3</sup> /min)  |

\* Flow rate limited by restriction.

Specifications subject to change without notice.

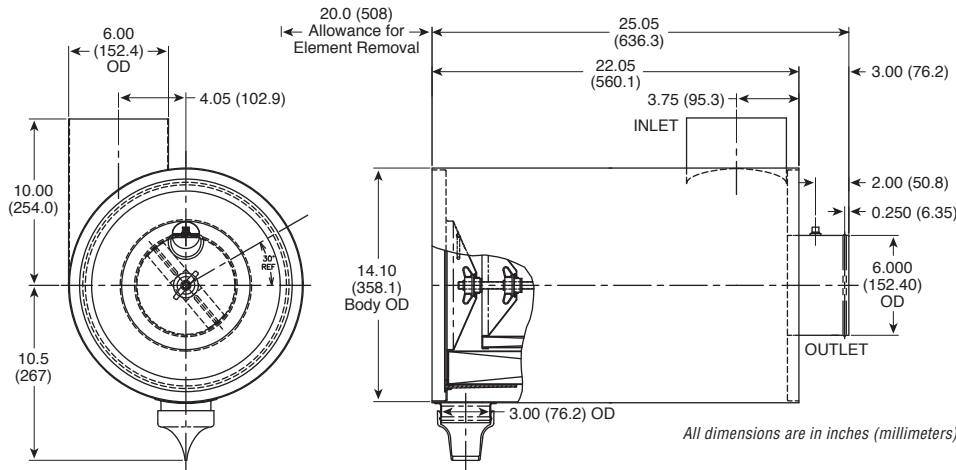
## Ordering Information

| Air Cleaner |                   |
|-------------|-------------------|
| Part Number | Description       |
| AH19259     | Metal Air Cleaner |

| Accessories          |                          |
|----------------------|--------------------------|
| Part Number          | Description              |
| 3918234S             | Mounting Bracket         |
| 2                    | No. of Brackets Required |
| 3316662S             | Outlet Band Clamps       |
| 3918206S<br>3918207S | Weather Hood             |
| 3316612S             | Hump-Hose                |
| 3316573S             | 90° Elbow                |
| 3316589S<br>3316590S | 90° Reducing Elbow       |
| 3946326 S            | Restriction Indicator    |

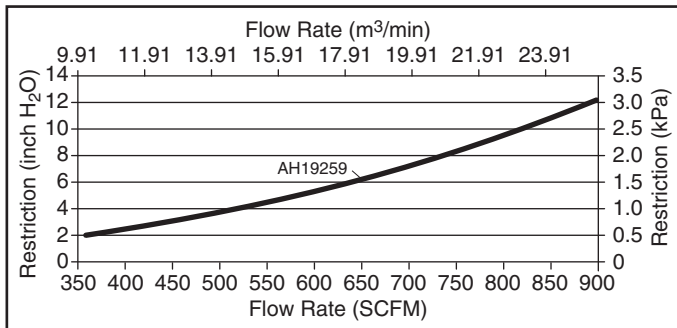
| Service Parts |                        |
|---------------|------------------------|
| Part Number   | Description            |
| AF1828        | Primary Element        |
| N/A           | Magnum Primary Element |
| AF1894M       | Secondary Element      |
| Q06316        | Dust Ejection Valve    |
| 3955490S      | Wing Nut/Clips         |
| N/A           | Cover Assembly         |

## Dimensions

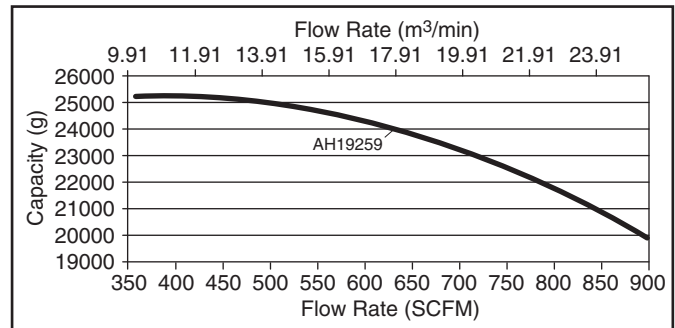


## Performance

### System Restriction vs Flow Rate



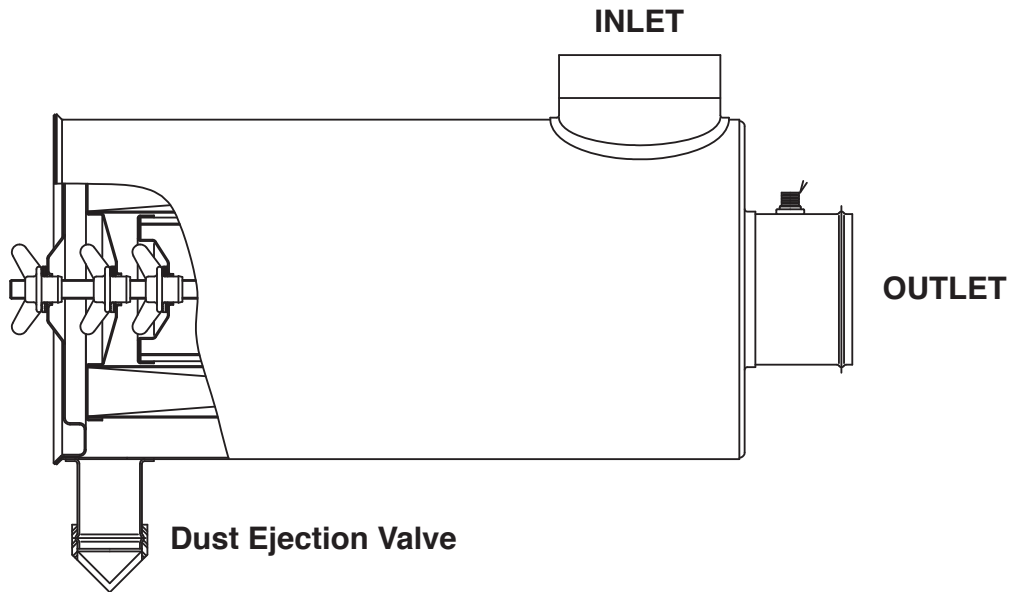
### Typical System Capacity vs Flow Rate



| Restriction         |     | Flow Rate |        | Typical Capacity |
|---------------------|-----|-----------|--------|------------------|
| in H <sub>2</sub> O | kPa | CFM       | m³/min | grams            |
| 6                   | 1.5 | 640       | 18.12  | 23918            |
| 8                   | 2.0 | 737       | 20.87  | 22728            |
| 10                  | 2.5 | 821       | 23.25  | 21390            |
| 12                  | 3.0 | 897       | 25.40  | 19950            |

ISO Coarse Dust  
2.0 g/m³ Feed Rate  
6.25 kPa (25" H<sub>2</sub>O) Terminal Restriction





**Specifications**

| Specification                | AH19268                           |
|------------------------------|-----------------------------------|
| Length Overall               | 16.0" (406.7 mm)                  |
| Body OD, Max.                | 7.9" (200.4 mm)                   |
| Flow, Min. (2" Restriction)  | 140 CFM (4.0 m <sup>3</sup> /min) |
| Flow, Max. (12" Restriction) | 317 CFM (9.0 m <sup>3</sup> /min) |
| Secondary Element            | No                                |
| Housing Material             | Metal                             |
| Pre-cleaner Integral         | Yes                               |

**Dust Holding Capacity per Cummins® Specification**

| Specification               | AH19268                              |
|-----------------------------|--------------------------------------|
| Allowable Flow for 10 g/CFM | < 317 CFM (9.0 m <sup>3</sup> /min)* |
| Allowable Flow for 25 g/CFM | < 223 CFM (6.3 m <sup>3</sup> /min)  |

\* Flow rate limited by restriction. Specifications subject to change without notice.

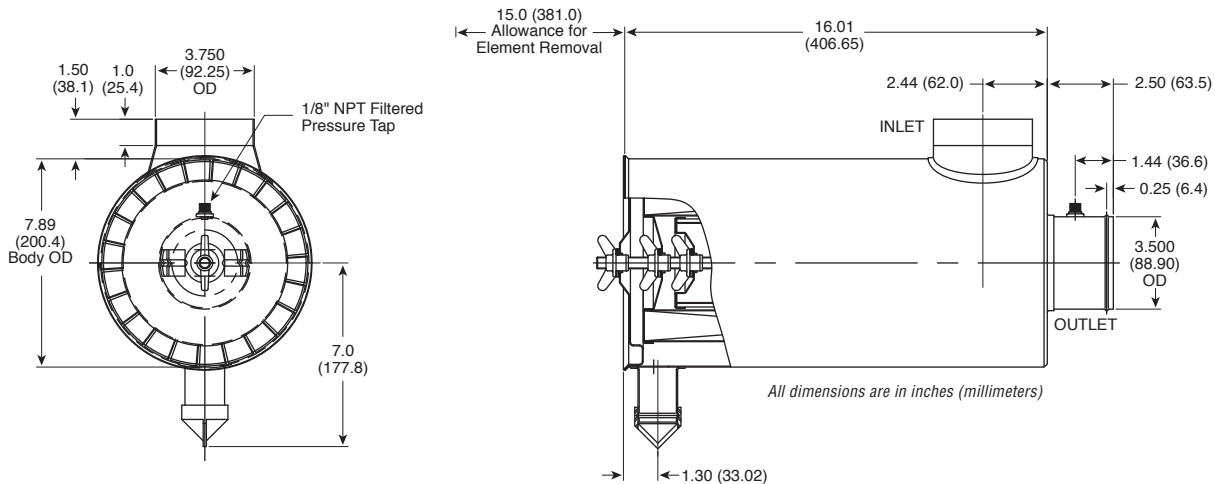
## Ordering Information

| Air Cleaners |  |
|--------------|--|
| Part Number  | Description                                      |
| AH19268      | Metal Air Cleaner<br>– without Secondary Element |

| Accessories |                          |
|-------------|--------------------------|
| Part Number | Description              |
| 3918222S    | Mounting Bracket         |
| 2           | No. of Brackets Required |
| 3316657S    | Outlet Band Clamps       |
| 3918203S    | Weather Hood             |
| 3316607S    | Hump-Hose                |
| 3316567S    | 90° Elbow                |
| N/A         | 90° Reducing Elbow       |
| 3946326S    | Restriction Indicator    |

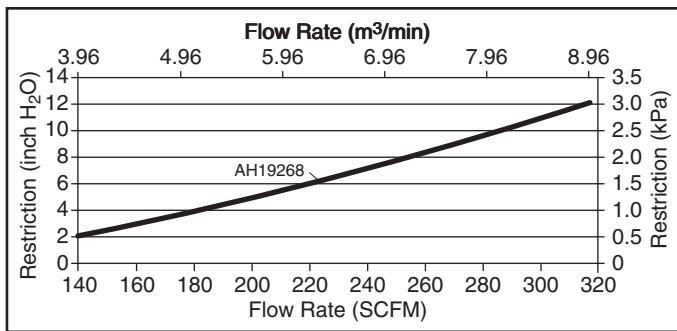
| Service Parts |                        |
|---------------|------------------------|
| Part Number   | Description            |
| AF4059K       | Primary Element        |
| N/A           | Magnum Primary Element |
| AF4103        | Secondary Element      |
| 3946457S      | Dust Ejection Valve    |
| 3955485S      | Wing Nut/Clips         |
| 3955463S      | Cover Assembly         |

## Dimensions

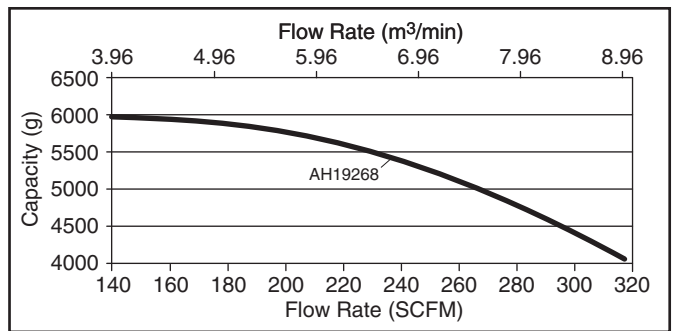


## Performance

### System Restriction vs Flow Rate



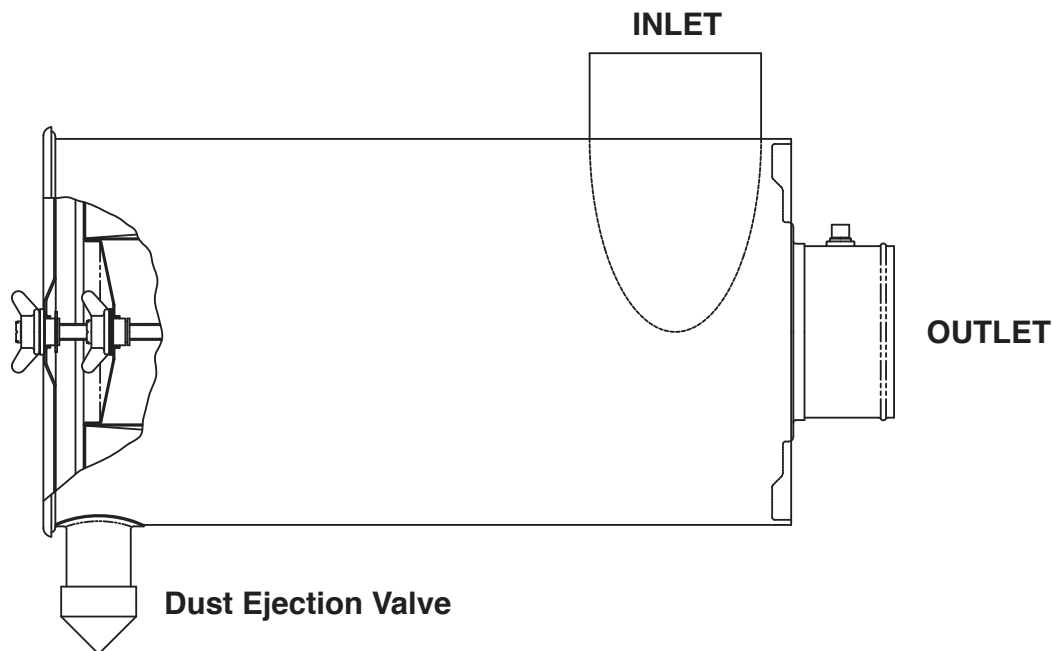
### Typical System Capacity vs Flow Rate



| Restriction         |     | Flow Rate |        | Typical Capacity |
|---------------------|-----|-----------|--------|------------------|
| in H <sub>2</sub> O | kPa | CFM       | m³/min | grams            |
| 6                   | 1.5 | 221       | 6.26   | 5598             |
| 8                   | 2.0 | 255       | 7.22   | 5187             |
| 10                  | 2.5 | 287       | 8.13   | 4675             |
| 12                  | 3.0 | 317       | 8.98   | 4083             |

ISO Coarse Dust  
2.0 g/m³ Feed Rate  
6.25 kPa (25" H<sub>2</sub>O) Terminal Restriction





**Specifications**

| Specification                | AH19270                            | AH19269                            |
|------------------------------|------------------------------------|------------------------------------|
| Length Overall               | 20.1" (519.4 mm)                   | 20.1" (519.4 mm)                   |
| Body OD, Max.                | 9.0" (227.33 mm)                   | 9.0" (227.3 mm)                    |
| Flow, Min. (2" Restriction)  | 180 CFM (5.1 m <sup>3</sup> /min)  | 150 CFM (4.2 m <sup>3</sup> /min)  |
| Flow, Max. (12" Restriction) | 460 CFM (13.0 m <sup>3</sup> /min) | 383 CFM (10.9 m <sup>3</sup> /min) |
| Secondary Element            | No                                 | No                                 |
| Housing Material             | Metal                              | Metal                              |
| Pre-cleaner Integral         | Yes                                | Yes                                |
| Filter Efficiency            | ≥ 99.90% per ISO 5011              | ≥ 99.90% per ISO 5011              |

**Dust Holding Capacity per Cummins® Specification**

| Specification               | AH19270                              | AH19269                              |
|-----------------------------|--------------------------------------|--------------------------------------|
| Allowable Flow for 10 g/CFM | < 403 CFM (11.4 m <sup>3</sup> /min) | < 368 CFM (10.4 m <sup>3</sup> /min) |
| Allowable Flow for 25 g/CFM | < 279 CFM (7.9 m <sup>3</sup> /min)  | < 269 CFM (7.6 m <sup>3</sup> /min)  |

Specifications subject to change without notice.

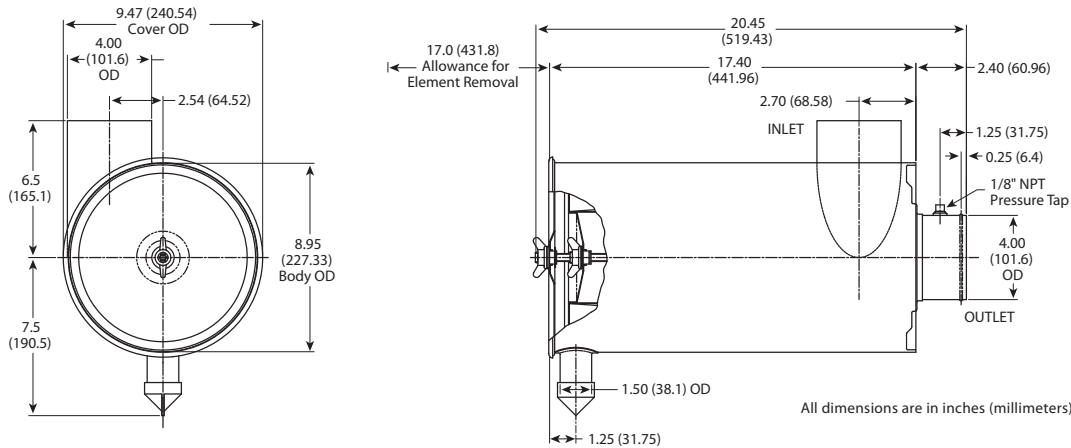
## Ordering Information

| Air Cleaners |  |
|--------------|--|
| Part Number  | Description                                      |
| AH19270      | Metal Air Cleaner<br>– without Secondary Element |
| AH19269      | Metal Air Cleaner<br>– with Secondary Element    |

| Accessories |                          |
|-------------|--------------------------|
| Part Number | Description              |
| 3918225S    | Mounting Bracket         |
| 2           | No. of Brackets Required |
| 3316658S    | Outlet Band Clamps       |
| 3918204S    | Weather Hood             |
| 3316608S    | Hump-Hose                |
| 3316568S    | 90° Elbow                |
| N/A         | 90° Reducing Elbow       |
| 3946326S    | Restriction Indicator    |

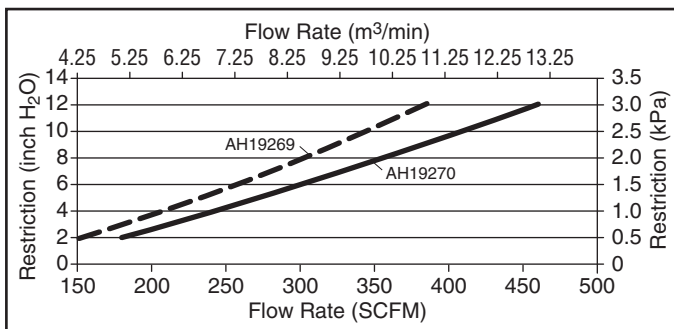
| Service Parts        |                        |
|----------------------|------------------------|
| Part Number          | Description            |
| AF1735K              | Primary Element        |
| N/A                  | Magnum Primary Element |
| AF4150               | Secondary Element      |
| Q06316               | Dust Ejection Valve    |
| 3955484S<br>3955481S | Wing Nut/Clips         |
| 3955461S             | Cover Assembly         |

## Dimensions

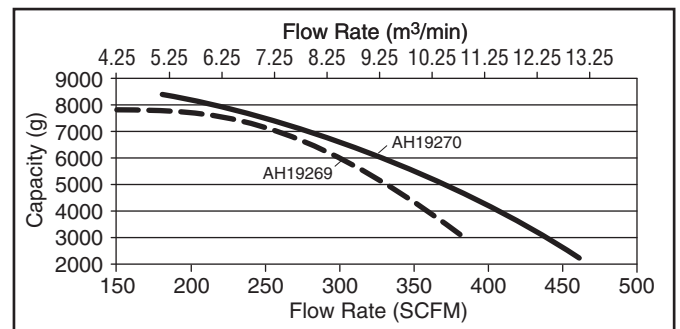


## Performance

### System Restriction vs Flow Rate



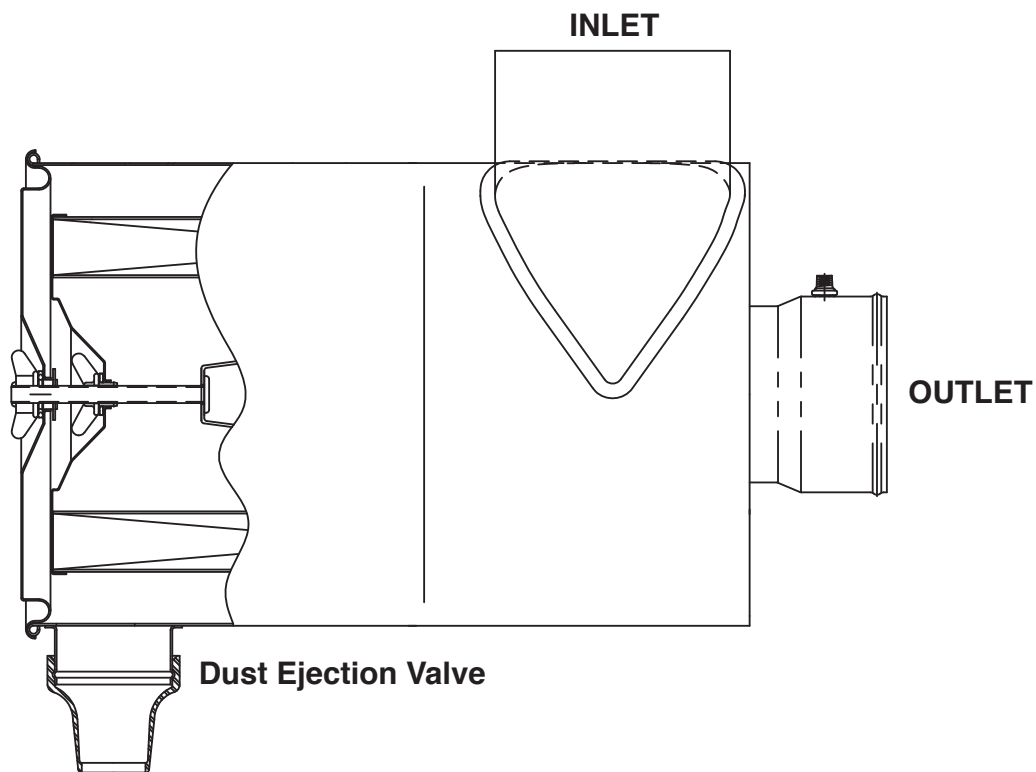
### Typical System Capacity vs Flow Rate



| Restriction         |     | Flow Rate<br>( ) = with Secondary |               | Typical Capacity<br>( ) = with Secondary |
|---------------------|-----|-----------------------------------|---------------|--|
| in H <sub>2</sub> O | kPa | CFM                               | m³/min        | grams                                    |
| 6                   | 1.5 | 302 (259)                         | 8.55 (7.33)   | 6924 (6510)                              |
| 8                   | 2.0 | 358 (304)                         | 10.14 (8.61)  | 5864 (5245)                              |
| 10                  | 2.5 | 410 (345)                         | 11.61 (9.77)  | 4550 (3812)                              |
| 12                  | 3.0 | 460(383)                          | 13.03 (10.85) | 2236 (3042)                              |

ISO Coarse Dust  
2.0 g/m<sup>3</sup> Feed Rate  
6.25 kPa (25" H<sub>2</sub>O) Terminal Restriction





### Specifications

| Specification                | AH19271                            | AH19272                            |
|------------------------------|------------------------------------|------------------------------------|
| Length Overall               | 21.9" (556.3 mm)                   | 21.9" (556.3 mm)                   |
| Body OD, Max.                | 11.0" (279.7 mm)                   | 11.0" (279.7 mm)                   |
| Flow, Min. (2" Restriction)  | 400 CFM (11.3 m <sup>3</sup> /min) | 270 CFM (7.7 m <sup>3</sup> /min)  |
| Flow, Max. (12" Restriction) | 767 CFM (21.7 m <sup>3</sup> /min) | 686 CFM (19.4 m <sup>3</sup> /min) |
| Secondary Element            | No                                 | Yes                                |
| Housing Material             | Metal                              | Metal                              |
| Pre-cleaner Integral         | Yes                                | Yes                                |

### Dust Holding Capacity per Cummins® Specification

| Specification               | AH19271                              | AH19272                              |
|-----------------------------|--------------------------------------|--------------------------------------|
| Allowable Flow for 10 g/CFM | < 674 CFM (19.1 m <sup>3</sup> /min) | < 653 CFM (18.5 m <sup>3</sup> /min) |
| Allowable Flow for 25 g/CFM | < 445 CFM (12.6 m <sup>3</sup> /min) | < 401 CFM (11.4 m <sup>3</sup> /min) |

Specifications subject to change without notice.

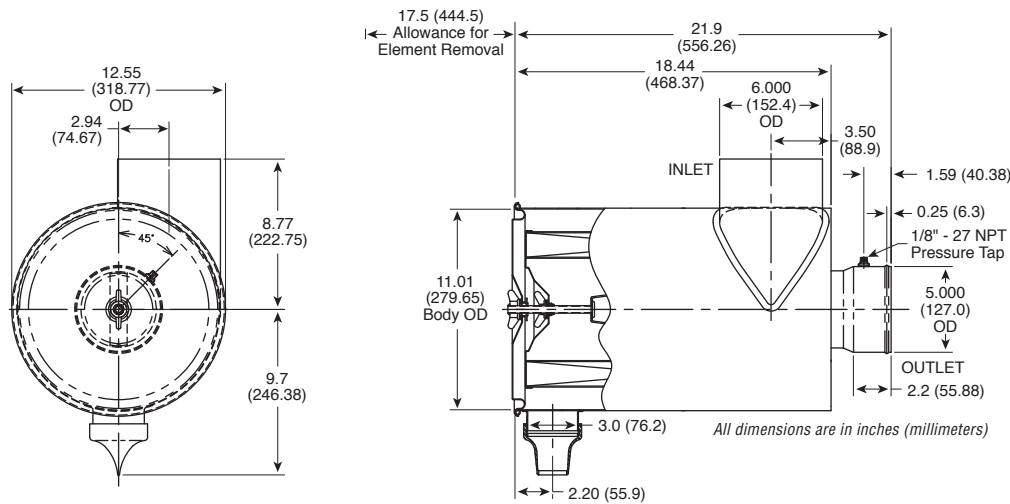
## Ordering Information

| Air Cleaners |  |
|--------------|--|
| Part Number  | Description                                      |
| AH19271      | Metal Air Cleaner<br>– without Secondary Element |
| AH19272      | Metal Air Cleaner<br>– with Secondary Element    |

| Accessories |                          |
|-------------|--------------------------|
| Part Number | Description              |
| 3918230S    | Mounting Bracket         |
| 2           | No. of Brackets Required |
| 3316660S    | Outlet Band Clamps       |
| 3918206S    | Weather Hood             |
| 3316610S    | Hump-Hose                |
| 3316570S    | 90° Elbow                |
| N/A         | 90° Reducing Elbow       |
| 3946326S    | Restriction Indicator    |

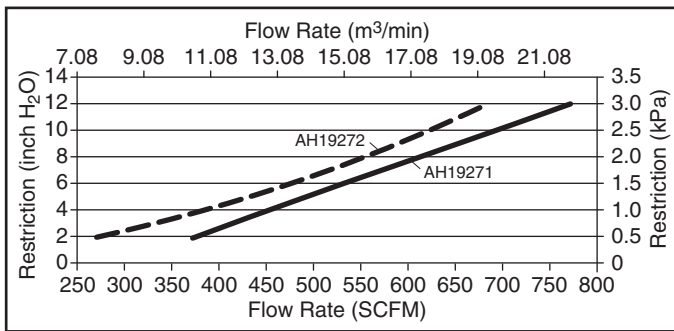
| Service Parts |                        |
|---------------|------------------------|
| Part Number   | Description            |
| AF4754        | Primary Element        |
| N/A           | Magnum Primary Element |
| AF4755        | Secondary Element      |
| Q06316        | Dust Ejection Valve    |
| 3955487S      | Wing Nut/Clips         |
| 3955482S      |                        |
| 3955462S      | Cover Assembly         |

## Dimensions

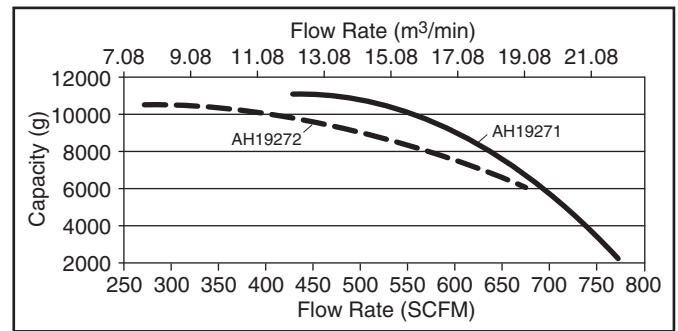


## Performance

### System Restriction vs Flow Rate



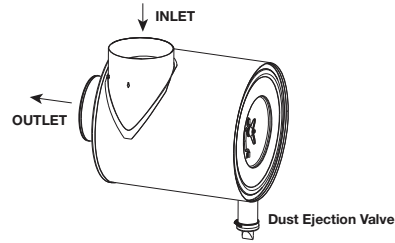
### Typical System Capacity vs Flow Rate



| Restriction         |     | Flow Rate<br>( ) = with Secondary |               | Typical Capacity<br>( ) = with Secondary |
|---------------------|-----|-----------------------------------|---------------|--|
| in H <sub>2</sub> O | kPa | CFM                               | m³/min        | grams                                    |
| 6                   | 1.5 | 532 (480)                         | 15.07 (13.59) | 10442 (9294)                             |
| 8                   | 2.0 | 612 (557)                         | 17.33 (15.77) | 8749 (8263)                              |
| 10                  | 2.5 | 692 (625)                         | 19.60 (17.70) | 6036 (7100)                              |
| 12                  | 3.0 | 772 (686)                         | 21.86 (19.43) | 2303 (5844)                              |

ISO Coarse Dust  
2.0 g/m³ Feed Rate  
6.25 kPa (25" H<sub>2</sub>O) Terminal Restriction





Specifications

| Specification                | AH19473                             |
|------------------------------|-------------------------------------|
| Length, Overall              | 28.4" (712.7 mm)                    |
| Width, Overall               | 21.4" (545.7 mm)                    |
| Height, Overall              | 30.5" (774.3 mm)                    |
| Flow, Max. (12" restriction) | 2330 CFM (66.0 m <sup>3</sup> /min) |
| Flow, Min. (2" restriction)  | 900 CFM (25.5 m <sup>3</sup> /min)  |
| Secondary Element            | Yes                                 |
| Housing Material             | Metal                               |
| Pre-cleaner                  | Integral                            |
| Inlet                        | 90° to Outlet, 10" (254.0 mm)       |
| Outlet                       | Straight, 10" (257 mm)              |

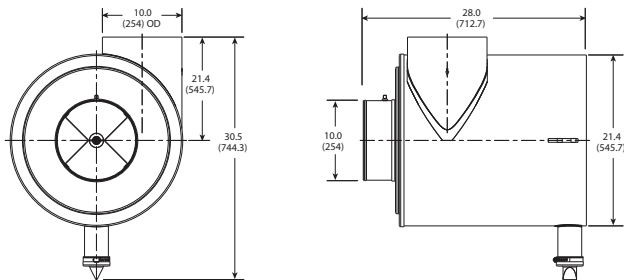
Specifications subject to change without notice.

Dust Holding Capacity per Flow Rate

| Specification  | AH19473 |                     |
|--|---------|---------------------|
|  | CFM     | m <sup>3</sup> /min |
| Maximum Flow for 10 g/CFM (1050 g/m <sup>3</sup> /min) | 2150    | 60.9                |
| Maximum Flow for 25 g/CFM (3500 g/m <sup>3</sup> /min) | 1220    | 34.5                |

\*Indicates maximum recommended flow rate

Dimensions



Ordering Information

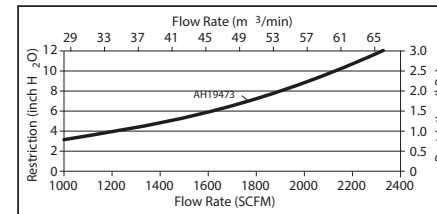
| Air Cleaner |   |
|-------------|---|
| Part Number | Description                                   |
| AH19473     | Metal Air Cleaner<br>- with Secondary Element |

| Accessories |                          |
|-------------|--------------------------|
| Part Number | Description              |
| 3940926S    | Mounting Bracket         |
| 2           | No. of Brackets Required |
| 3316665S    | Outlet Band Clamps       |
| 3940356S    | Weather Hood             |
| 3316615S    | Hump-Hose                |
| 3316578S    | 90° Elbow                |
| 3946326S    | Restriction Indicator    |

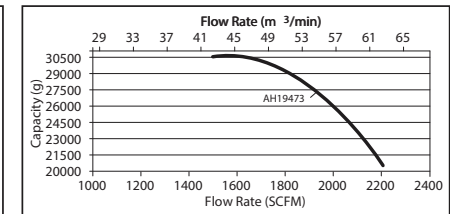
| Service Parts |                           |
|---------------|---------------------------|
| Part Number   | Description               |
| AF899         | Primary Element           |
| AF880         | Secondary Element         |
| Q06316        | Dust Ejection Valve       |
| AF899M        | Magnum Primary Element    |
| AF899NF       | NanoFiber Primary Element |

Performance

System Restriction vs Flow Rate



Typical System Capacity vs Flow Rate



| Restriction         |     | Flow Rate |                     | Typical Capacity at 25" H <sub>2</sub> O<br>(6.2 kPa) of Terminal Restriction<br>(grams) |
|---------------------|-----|-----------|---------------------|--|
| in H <sub>2</sub> O | kPa | CFM       | m <sup>3</sup> /min |  |
| 4                   | 1.0 | 1256      | 35.6                | 30500  |
| 6                   | 1.5 | 1623      | 46.0                | 30477  |
| 8                   | 2.0 | 1906      | 54.0                | 27584  |
| 10                  | 2.5 | 2144      | 60.7                | 22138  |
| 12                  | 3.0 | 2330      | 66.0                | 15966  |

ISO Coarse Dust  
2.0 g/m<sup>3</sup> Feed Rate  
25" H<sub>2</sub>O (6.2 kPa)  
Terminal Restriction  
per ISO 5011

