

Specifications

Specification	AH19077
Length Overall	17.9" (454.9 mm)
Body OD	7.2" (182.4 mm)
Flow, Min. (2" Restriction)	188 CFM (5.3 m ³ /min)
Flow, Max. (12" restriction)	468 CFM (13.3 m ³ /min)
Secondary Element	No
Housing Material	Metal
Pre-cleaner Integral	No

Dust Holding Capacity per Cummins® Specification

Specification	AH19077
Allowable Flow for 3 g/CFM	< 329 CFM (9.3 m ³ /min)
Allowable Flow for 10 g/CFM	< 181 CFM (5.1 m ³ /min)

Specifications subject to change without notice.

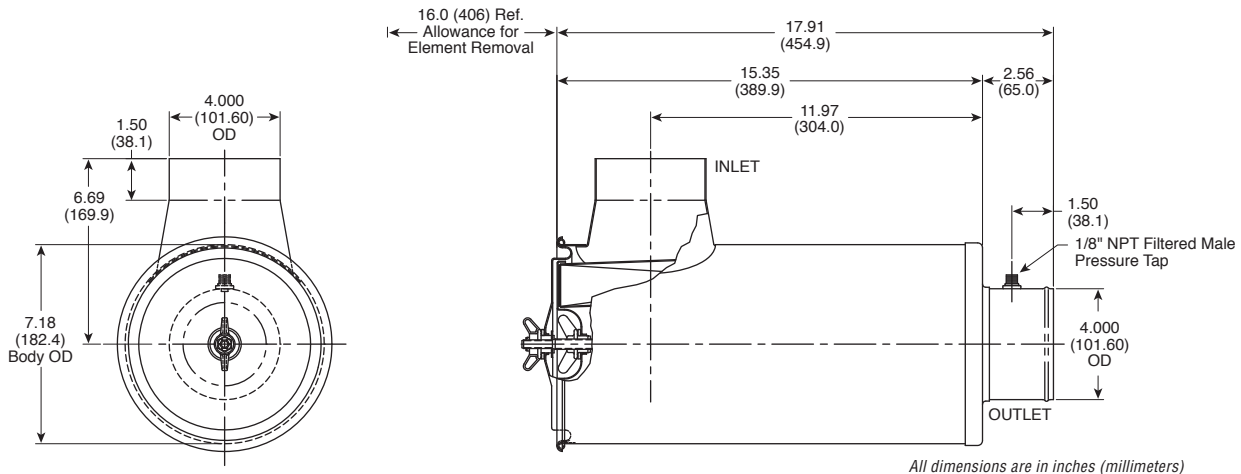
Ordering Information

Air Cleaner	
Part Number	Description
AH19077	Metal Air Cleaner

Accessories	
Part Number	Description
3918221S	Mounting Bracket
2	No. of Brackets Required
3316658S	Outlet Band Clamps
3918204S	Weather Hood
3316608S	Hump-Hose
3316568S	90° Elbow
N/A	90° Reducing Elbow
3946326S	Restriction Indicator

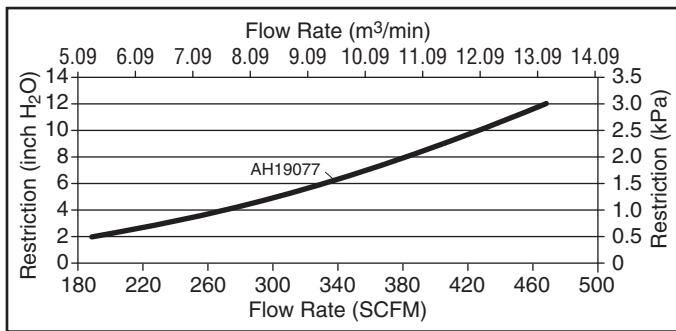
Service Parts	
Part Number	Description
AF25546	Primary Element
N/A	Magnum Primary Element
N/A	Secondary Element
Q06316	Dust Ejection Valve
3955488S	Wing Nut/Clips
3955489S	
3955471S	Cover Assembly

Dimensions

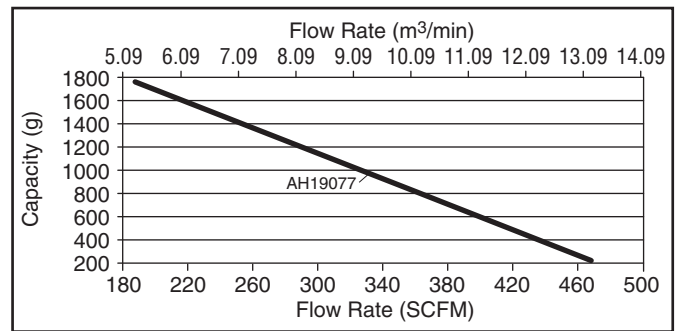


Performance

System Restriction vs Flow Rate



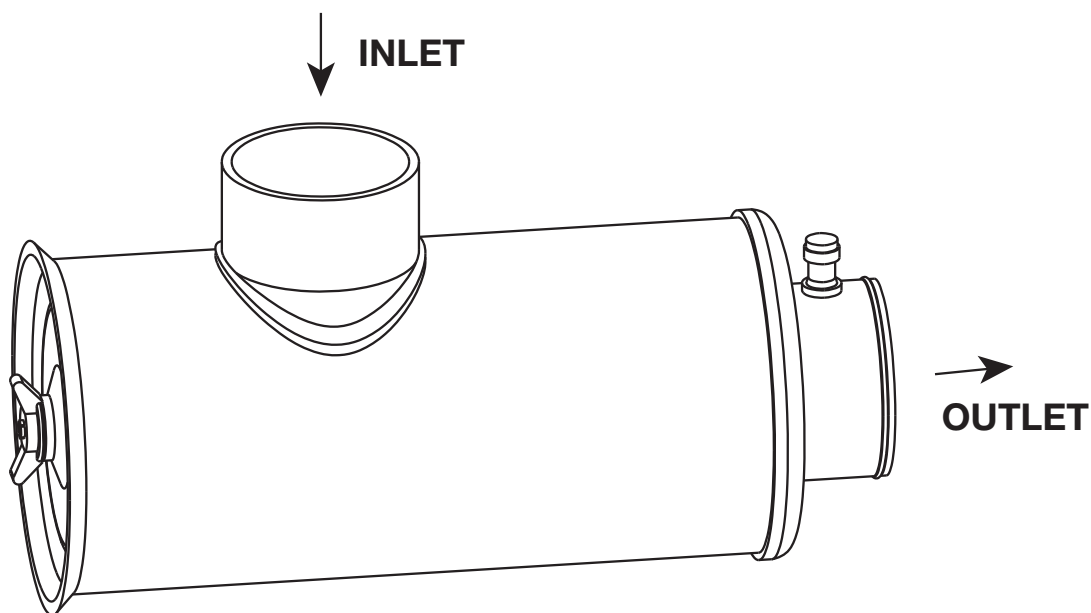
Typical System Capacity vs Flow Rate



Restriction		Flow Rate		Typical Capacity
in H ₂ O	kPa	CFM	m³/min	grams
6	1.5	331	9.37	980
8	2.0	382	10.82	696
10	2.5	428	12.12	447
12	3.0	468	13.25	223

ISO Fine Dust
 1.0 g/m³ Feed Rate
 6.25 kPa (25" H₂O) Terminal Restriction





Specifications

Specification	AH19078
Length Overall	21.5" (547.1 mm)
Body OD	8.5" (216.4 mm)
Flow, Min. (2" Restriction)	310 CFM (8.8 m ³ /min)
Flow, Max. (12" Restriction)	791 CFM (22.4 m ³ /min)
Secondary Element	No
Housing Material	Metal
Pre-cleaner Integral	No

Dust Holding Capacity per Cummins® Specification

Specification	AH19078
Allowable Flow for 3 g/CFM	< 520 CFM (14.7 m ³ /min)
Allowable Flow for 10 g/CFM	< 250 CFM (7.1 m ³ /min)

Specifications subject to change without notice.

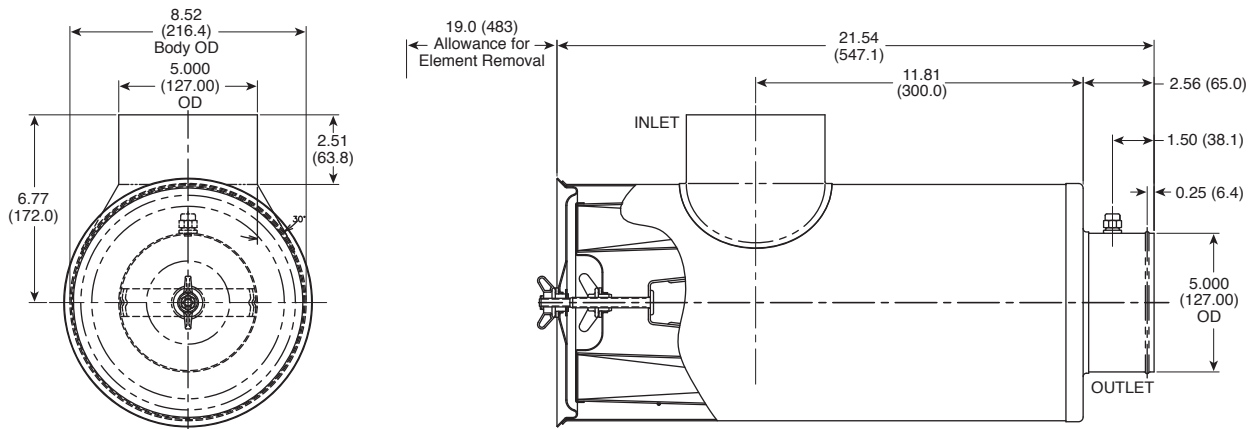
Ordering Information

Air Cleaner	
Part Number	Description
AH19078	Metal Air Cleaner

Accessories	
Part Number	Description
3918224S	Mounting Bracket
2	No. of Brackets Required
3316660S	Outlet Band Clamps
3918205S	Weather Hood
3316610S	Hump-Hose
3316570S	90° Elbow
N/A	90° Reducing Elbow
3946326S	Restriction Indicator

Service Parts	
Part Number	Description
AF25547	Primary Element
N/A	Magnum Primary Element
N/A	Secondary Element
Q06316	Dust Ejection Valve
3955488S	Wing Nut/Clips
3955489S	
3955473S	Cover Assembly

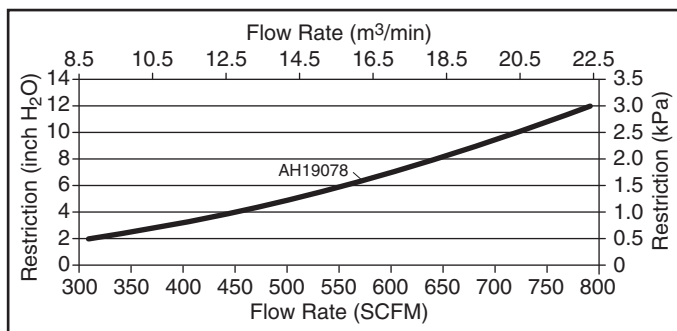
Dimensions



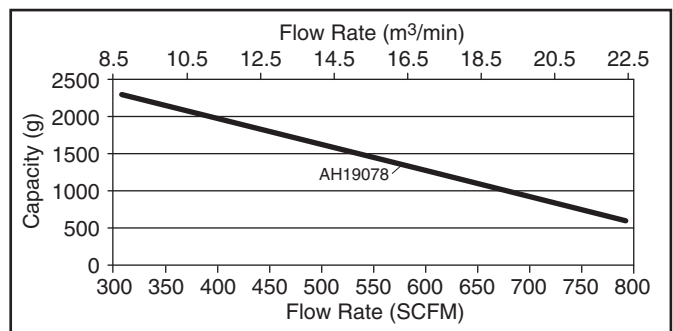
All dimensions are in inches (millimeters)

Performance

System Restriction vs Flow Rate



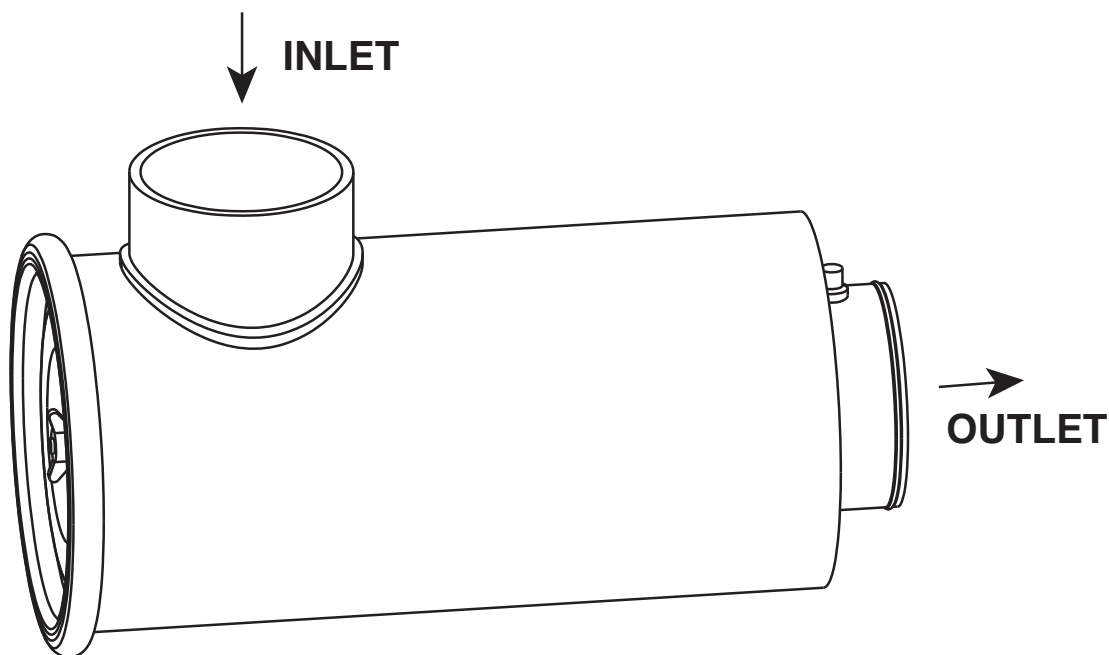
Typical System Capacity vs Flow Rate



Restriction		Flow Rate		Typical Capacity
in H ₂ O	kPa	CFM	m³/min	grams
6	1.5	555	15.72	1434
8	2.0	643	18.21	1125
10	2.5	721	20.42	853
12	3.0	791	22.40	608

ISO Fine Dust
 1.0 g/m³ Feed Rate
 6.25 kPa (25" H₂O) Terminal Restriction





Specifications

Specification	AH19079
Length Overall	23.16" (585.7 mm)
Body OD	10.1" (256.5 mm)
Flow, Min. (2" Restriction)	465 CFM (13.2 m ³ /min)
Flow, Max. (12" Restriction)	1156 CFM (32.7 m ³ /min)
Secondary Element	No
Housing Material	Metal
Pre-cleaner Integral	No

Dust Holding Capacity per Cummins® Specification

Specification	AH19079
Allowable Flow for 3 g/CFM	< 692 CFM (19.6 m ³ /min)
Allowable Flow for 10 g/CFM	< 329 CFM (9.3 m ³ /min)

Specifications subject to change without notice.

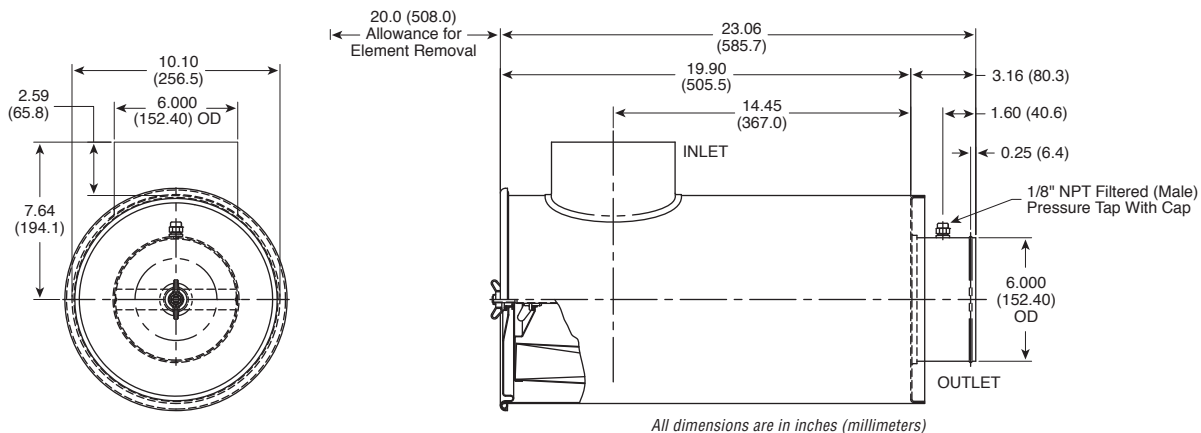
Ordering Information

Air Cleaner	
Part Number	Description
AH19079	Metal Air Cleaner

Accessories	
Part Number	Description
3918226S	Mounting Bracket
2	No. of Brackets Required
3316662S	Outlet Band Clamps
3918206S 3918207S	Weather Hood
3316612S	Hump-Hose
3316573S	90° Elbow
3316589S 3316590S	90° Reducing Elbow
3946326S	Restriction Indicator

Service Parts	
Part Number	Description
AF25548	Primary Element
N/A	Magnum Primary Element
N/A	Secondary Element
N/A	Dust Ejection Valve
3955488S 3955489S	Wing Nut/Clips
3955474S	Cover Assembly

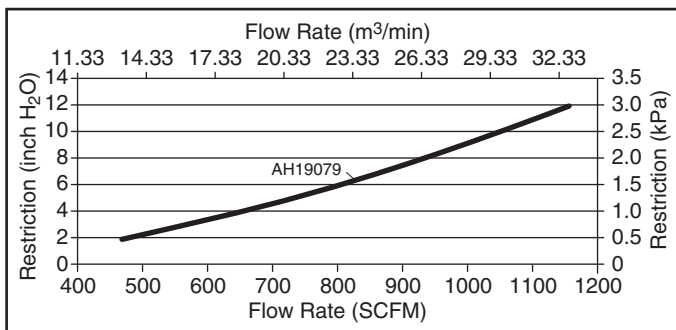
Dimensions



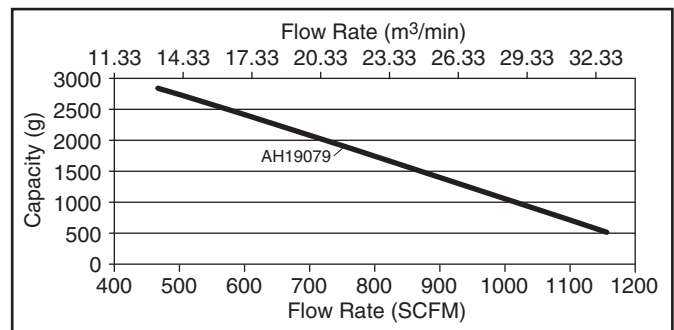
All dimensions are in inches (millimeters)

Performance

System Restriction vs Flow Rate



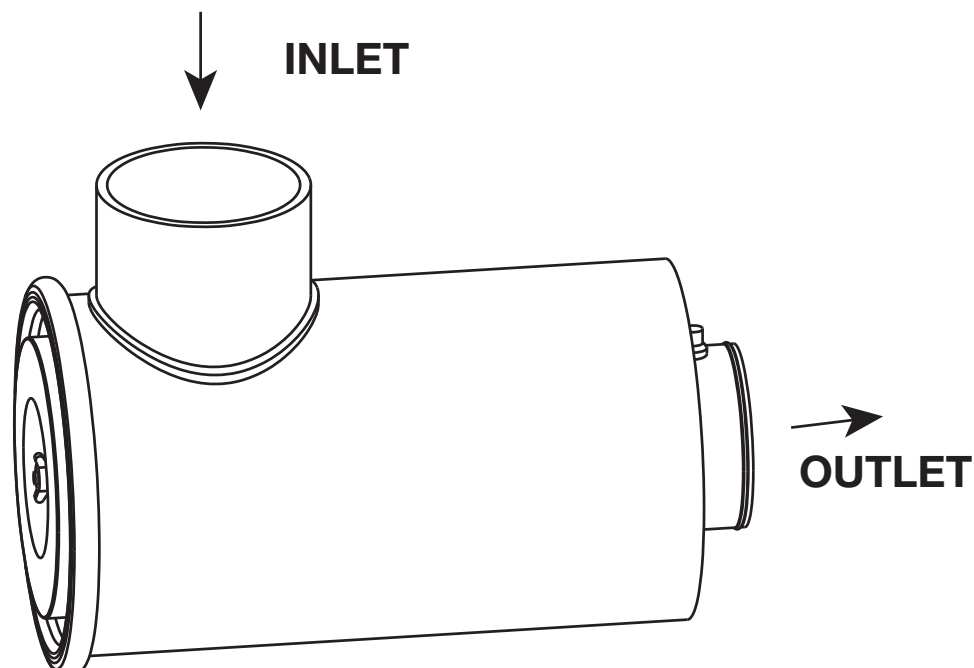
Typical System Capacity vs Flow Rate



Restriction		Flow Rate		Typical Capacity
in H ₂ O	kPa	CFM	m³/min	grams
6	1.5	805	22.80	1697
8	2.0	935	26.48	1262
10	2.5	1051	29.76	874
12	3.0	1156	32.74	521

ISO Fine Dust
1.0 g/m³ Feed Rate
6.25 kPa (25" H₂O) Terminal Restriction





Specifications

Specification	AH19080
Length Overall	23.0" (583.2 mm)
Body OD	10.0" (255.0 mm)
Flow, Min. (2" Restriction)	470 CFM (13.3 m ³ /min)
Flow, Max. (12" Restriction)	1217 CFM (34.5 m ³ /min)
Secondary Element	No
Housing Material	Metal
Pre-cleaner Integral	No

Dust Holding Capacity per Cummins® Specification

Specification	AH19080
Allowable Flow for 3 g/CFM	< 956 CFM (27.1 m ³ /min)
Allowable Flow for 10 g/CFM	< 473 CFM (13.4 m ³ /min)

Specifications subject to change without notice.

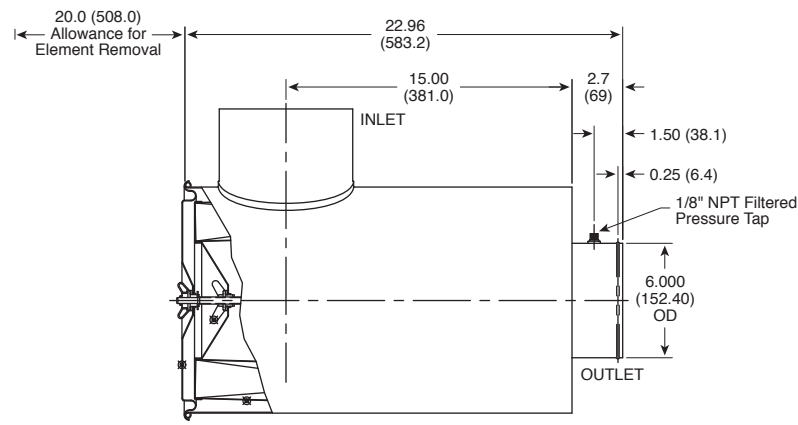
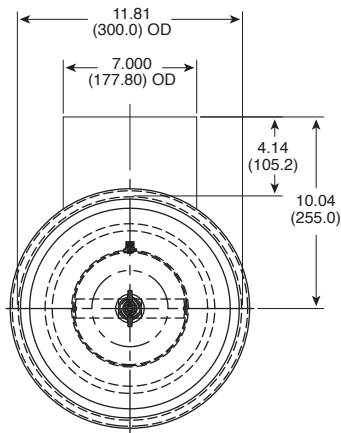
Ordering Information

Air Cleaner	
Part Number	Description
AH19080	Metal Air Cleaner

Accessories	
Part Number	Description
3918230S	Mounting Bracket
2	No. of Brackets Required
3316662S	Outlet Band Clamps
3918208S 3918209S	Weather Hood
3316612S	Hump-Hose
3316573S	90° Elbow
3316589S 3316590S	90° Reducing Elbow
3946326S	Restriction Indicator

Service Parts	
Part Number	Description
AF25549	Primary Element
N/A	Magnum Primary Element
N/A	Secondary Element
Q06316	Dust Ejection Valve
3955488 S 3955489 S	Wing Nut/Clips
3955475 S	Cover Assembly

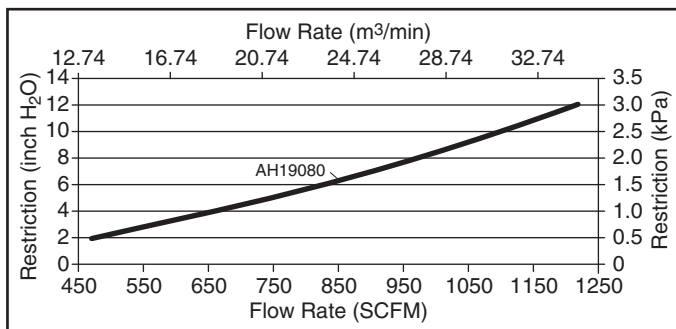
Dimensions



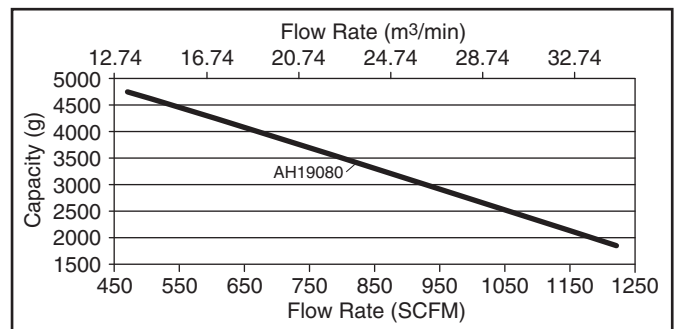
All dimensions are in inches (millimeters)

Performance

System Restriction vs Flow Rate



Typical System Capacity vs Flow Rate



Restriction		Flow Rate		Typical Capacity
in H ₂ O	kPa	CFM	m ³ /min	grams
6	1.5	825	23.36	3374
8	2.0	968	27.41	2822
10	2.5	1098	31.10	2323
12	3.0	1217	34.47	1864

ISO Fine Dust
1.0 g/m³ Feed Rate
6.25 kPa (25" H₂O) Terminal Restriction

