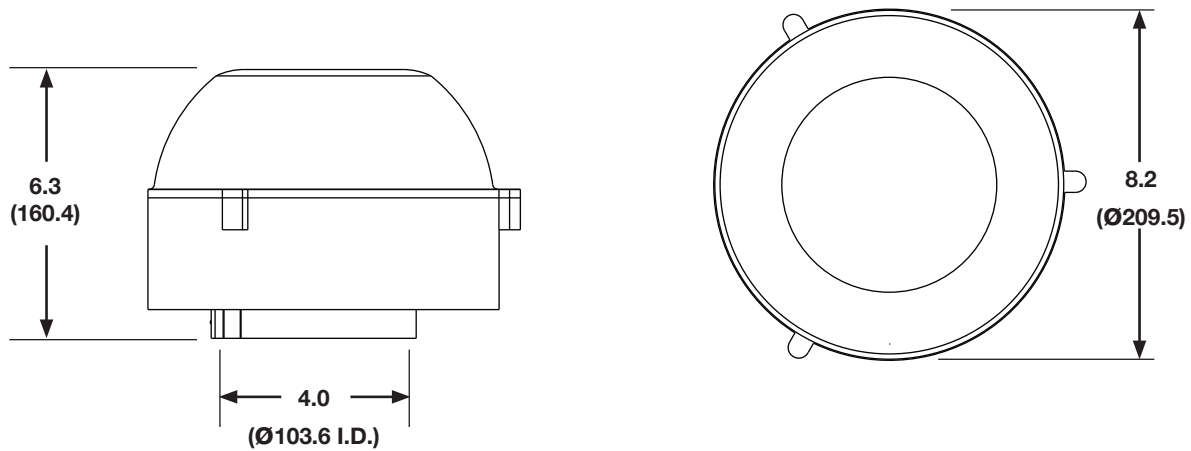


Specifications

Specification	AP8403
Width, Overall	8.2" (Ø209.5 mm)
Height, Overall	6.3" (160.4 mm)
Application Flow Rate	100-275 CFM (2.83-7.79 m³/min)
Outlet tube	4.0" (Ø 103.6 mm I.D.)

Specifications subject to change without notice.

Dimensions

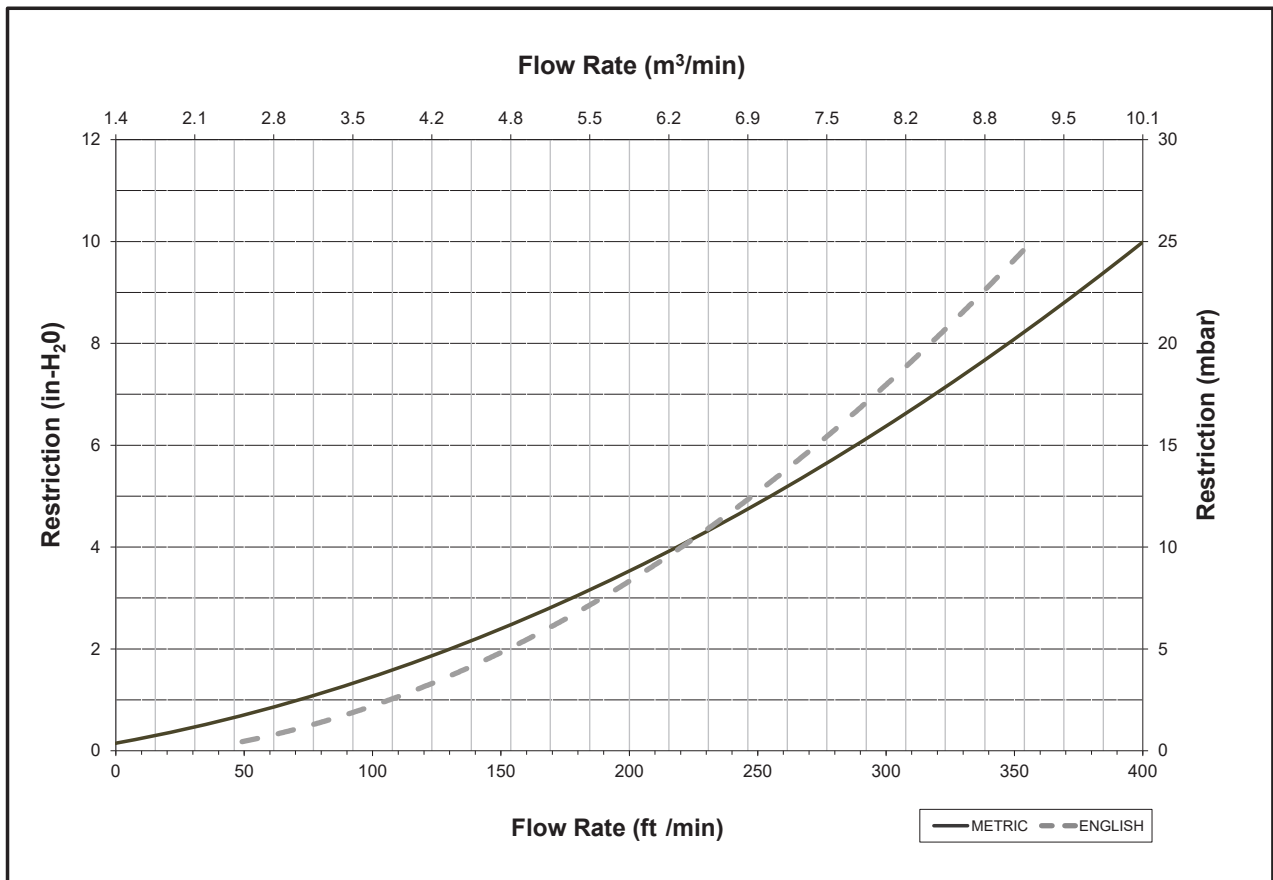


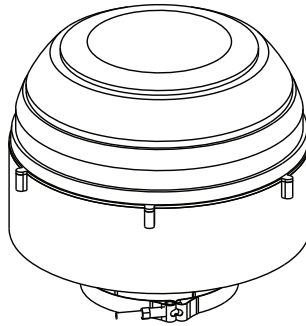
All dimensions are in inches (millimeters).

Ordering Information

Single-Stage Pre-Cleaner	
Part Number	Description
AP8403	Pre-Cleaner

Performance



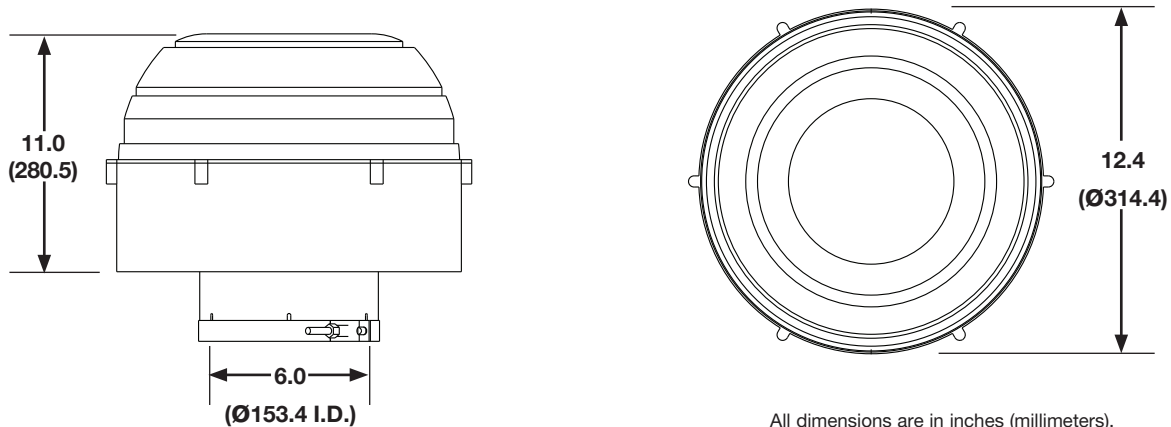


Specifications

Specification	AP8404
Width, Overall	12.4" (Ø314.4 mm)
Height, Overall	11.0" (280.5 mm)
Application Flow Rate	500-650 CFM (14.16-18.41 m³/min)
Outlet tube	6.0" (Ø 153.4 mm I.D.)

Specifications subject to change without notice.

Dimensions

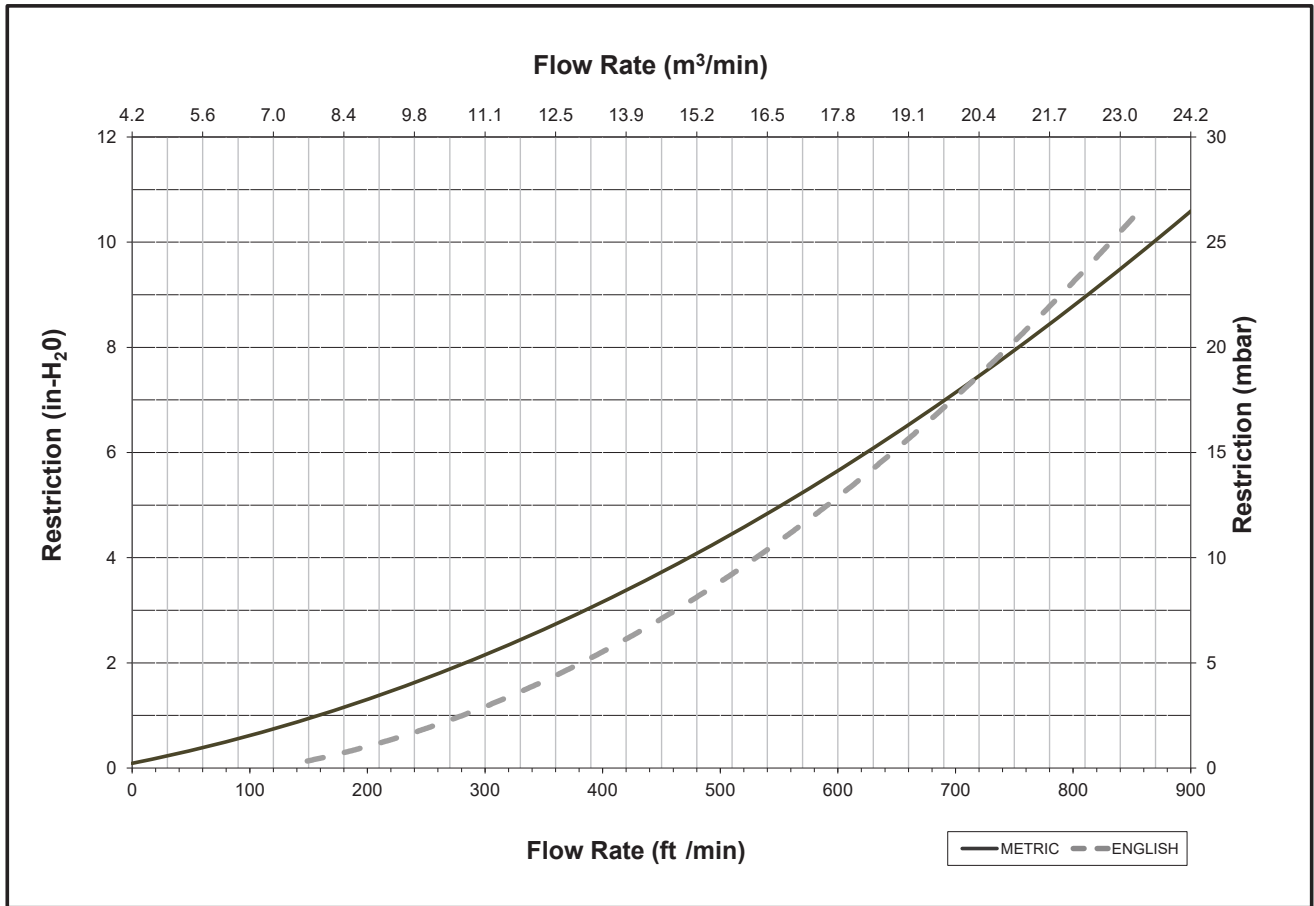


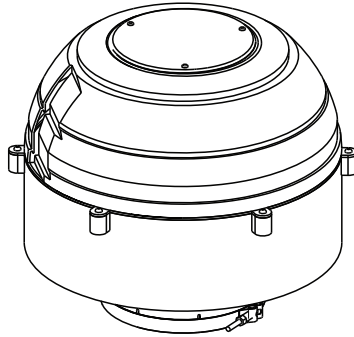
All dimensions are in inches (millimeters).

Ordering Information

Single-Stage Pre-Cleaner	
Part Number	Description
AP8404	Pre-Cleaner

Performance



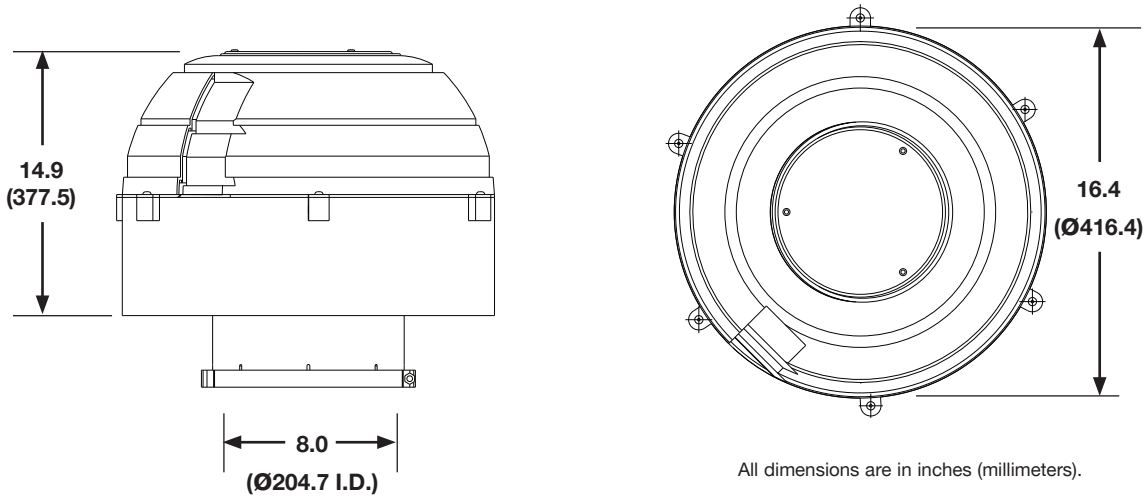


Specifications

Specification	AP8405
Width, Overall	16.4" (Ø416.4 mm)
Height, Overall	14.9" (377.5 mm)
Application Flow Rate	800-1150 CFM (22.65-32.56 m ³ /min)
Outlet tube	8.0" (Ø 204.7 mm I.D.)

Specifications subject to change without notice.

Dimensions

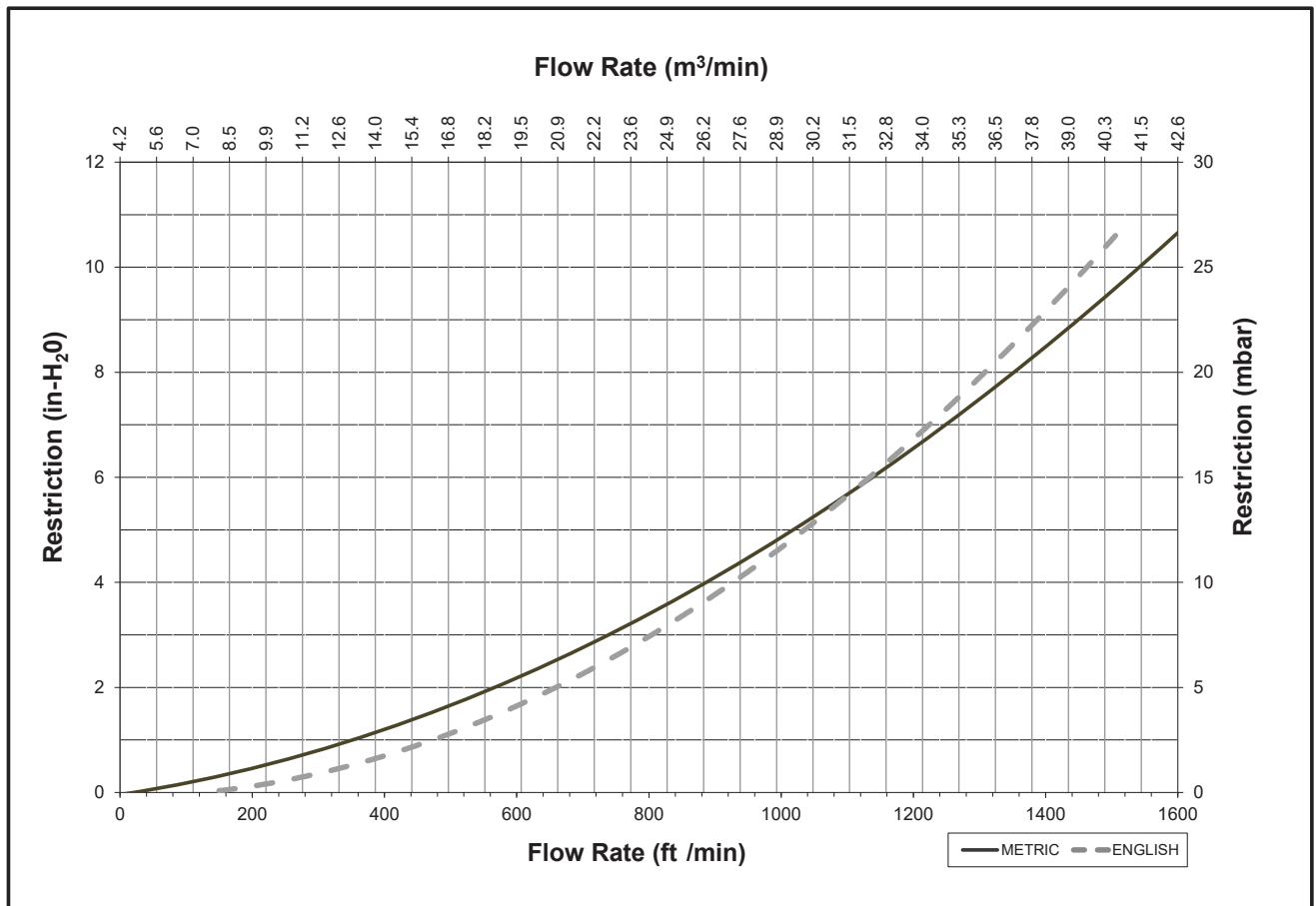


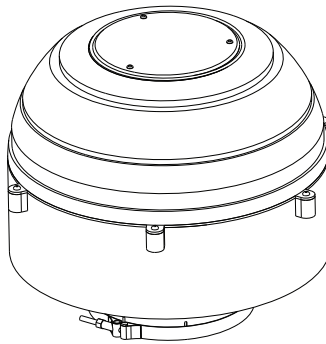
All dimensions are in inches (millimeters).

Ordering Information

Single-Stage Pre-Cleaner	
Part Number	Description
AP8405	Pre-Cleaner

Performance



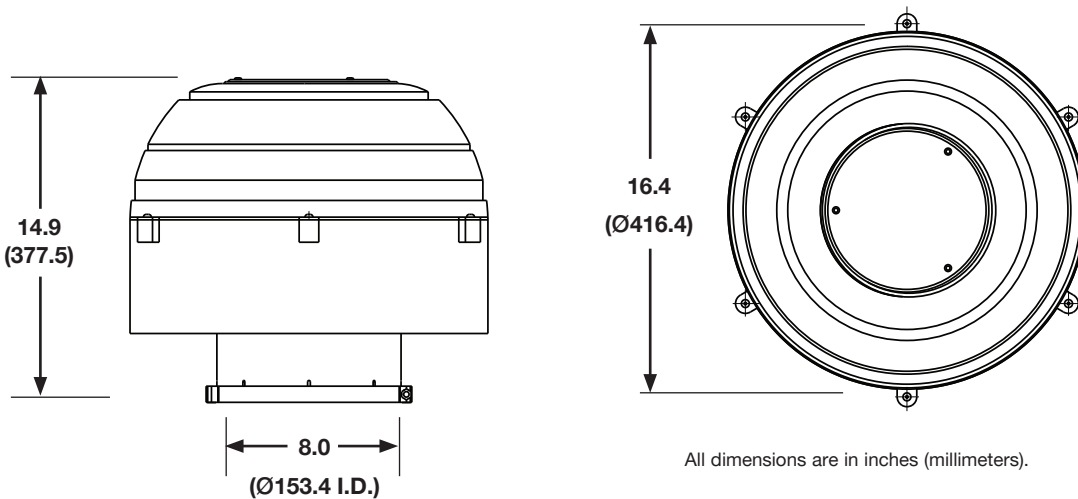


Specifications

Specification	AP8406
Width, Overall	16.4" (Ø416.4 mm)
Height, Overall	14.9" (377.5 mm)
Application Flow Rate	1150-1400 CFM (32.56-39.64 m³/min)
Outlet tube	8.0" (Ø204.7 mm I.D.)

Specifications subject to change without notice.

Dimensions

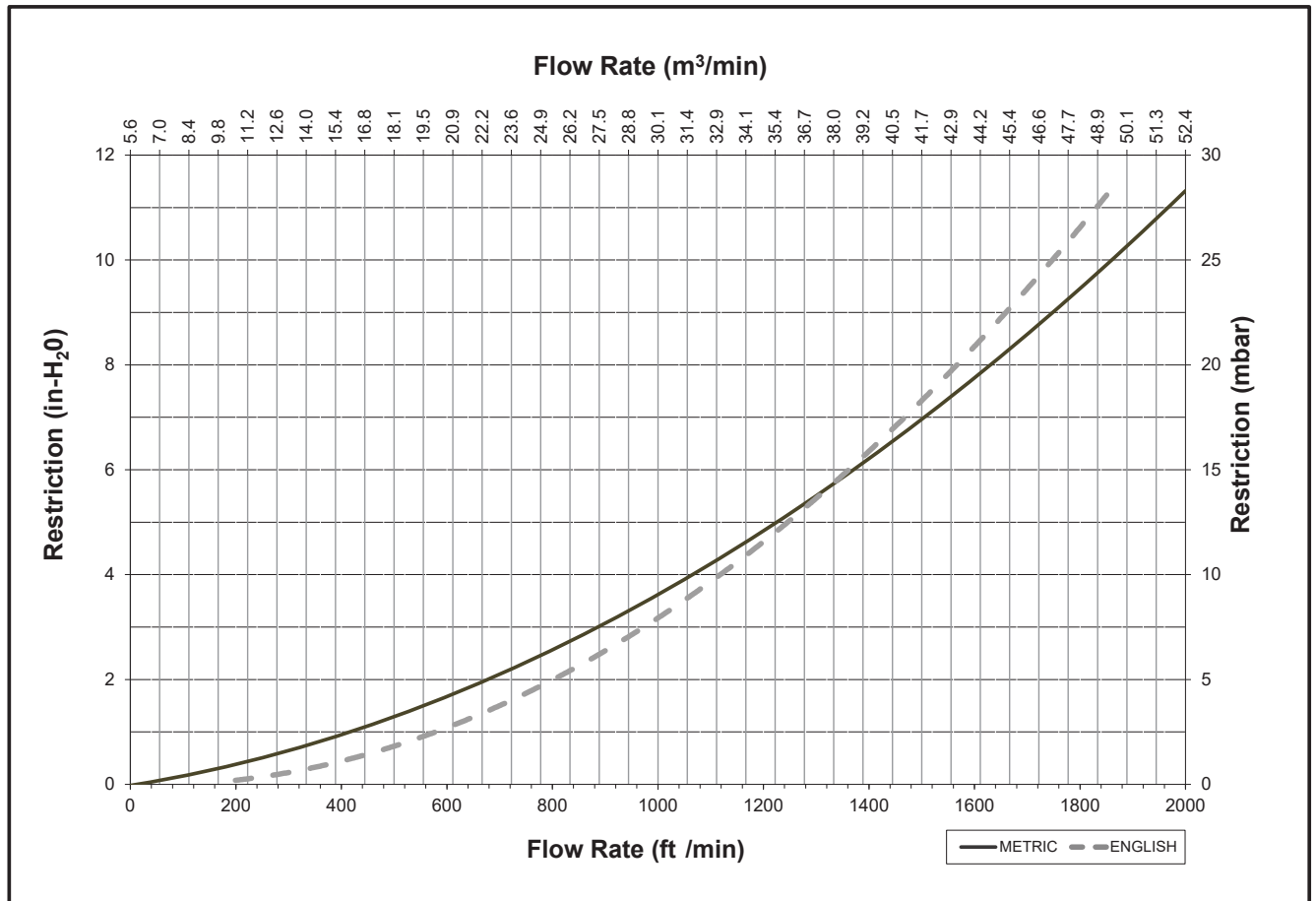


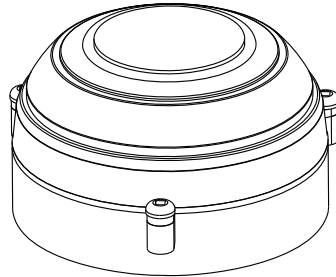
All dimensions are in inches (millimeters).

Ordering Information

Single-Stage Pre-Cleaner	
Part Number	Description
AP8406	Pre-Cleaner

Performance



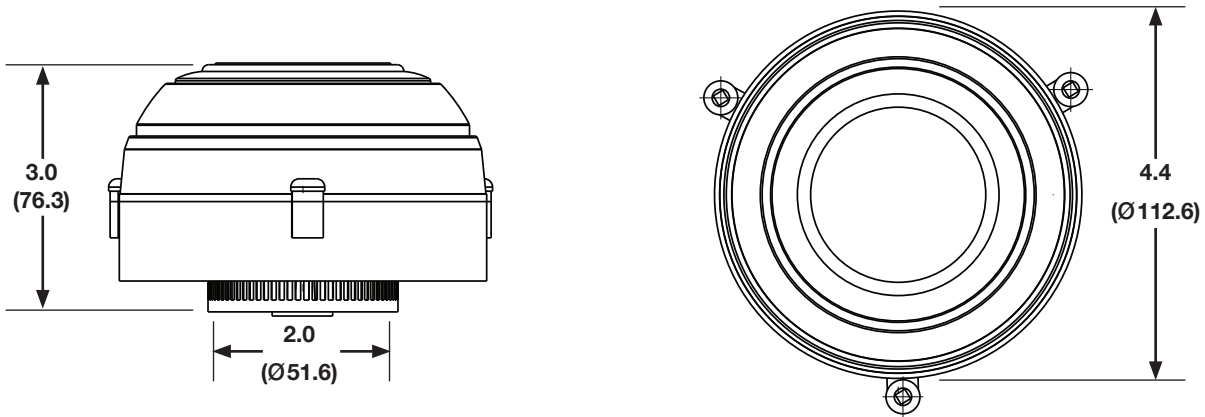


Specifications

Specification	AP8407
Width, Overall	4.4" (Ø 112.6 mm)
Height, Overall	3.0" (76.3 mm)
Application Flow Rate	10-50 CFM (0.28-1.42 m ³ /min)
Outlet tube	2" (Ø 51.6 mm I.D.)

Specifications subject to change without notice.

Dimensions

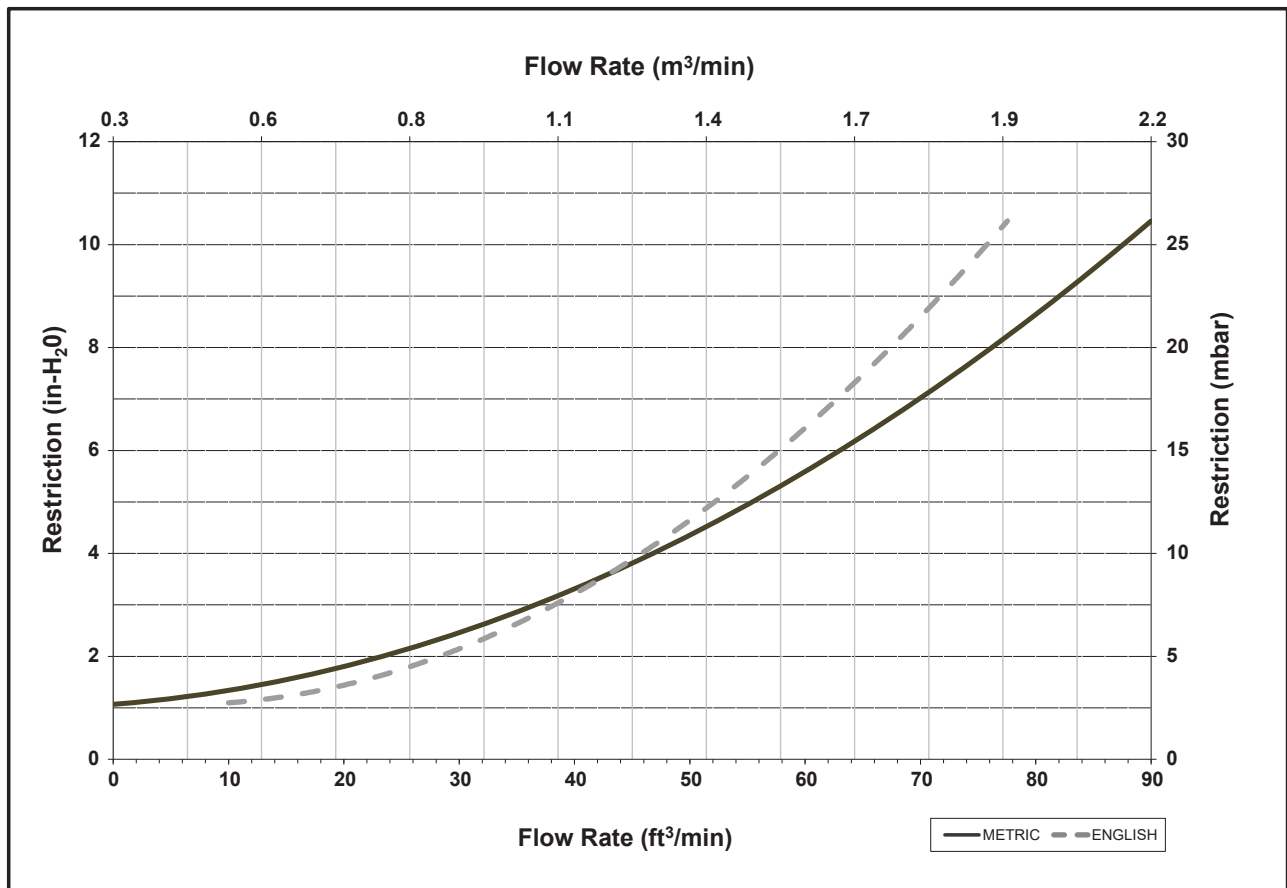


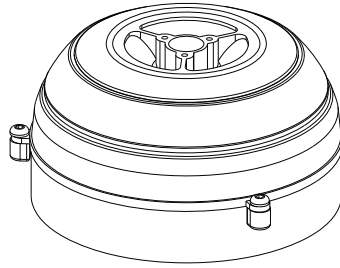
All dimensions are in inches (millimeters).

Ordering Information

Single-Stage Pre-Cleaner	
Part Number	Description
AP8407	Pre-Cleaner

Performance



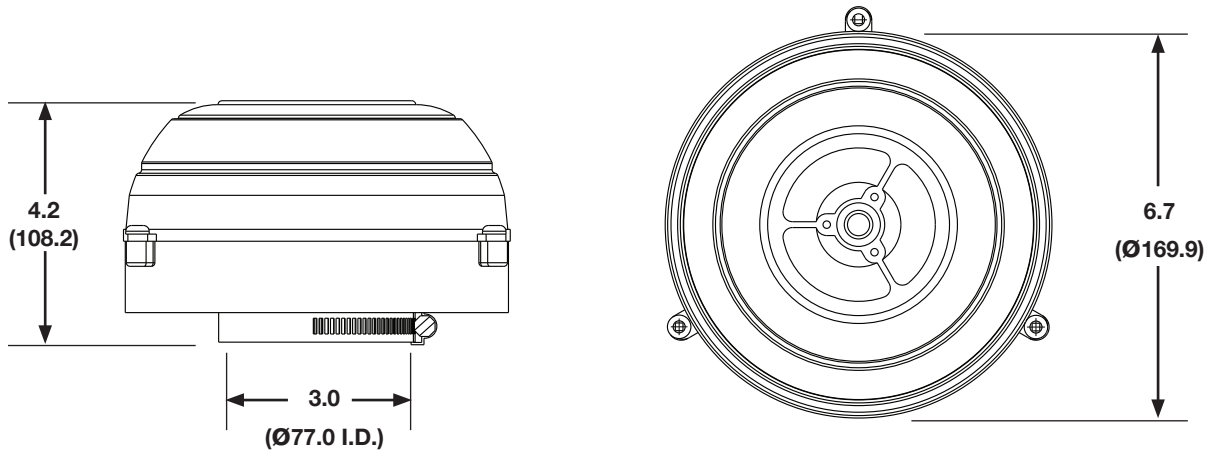


Specifications

Specification	AP8408
Width, Overall	6.7" (Ø169.9 mm)
Height, Overall	4.2" (108.2 mm)
Application Flow Rate	50-120.CFM (1.42-3.40 m³/min)
Outlet tube	3.0" (Ø 77.0 mm I.D.)

Specifications subject to change without notice.

Dimensions

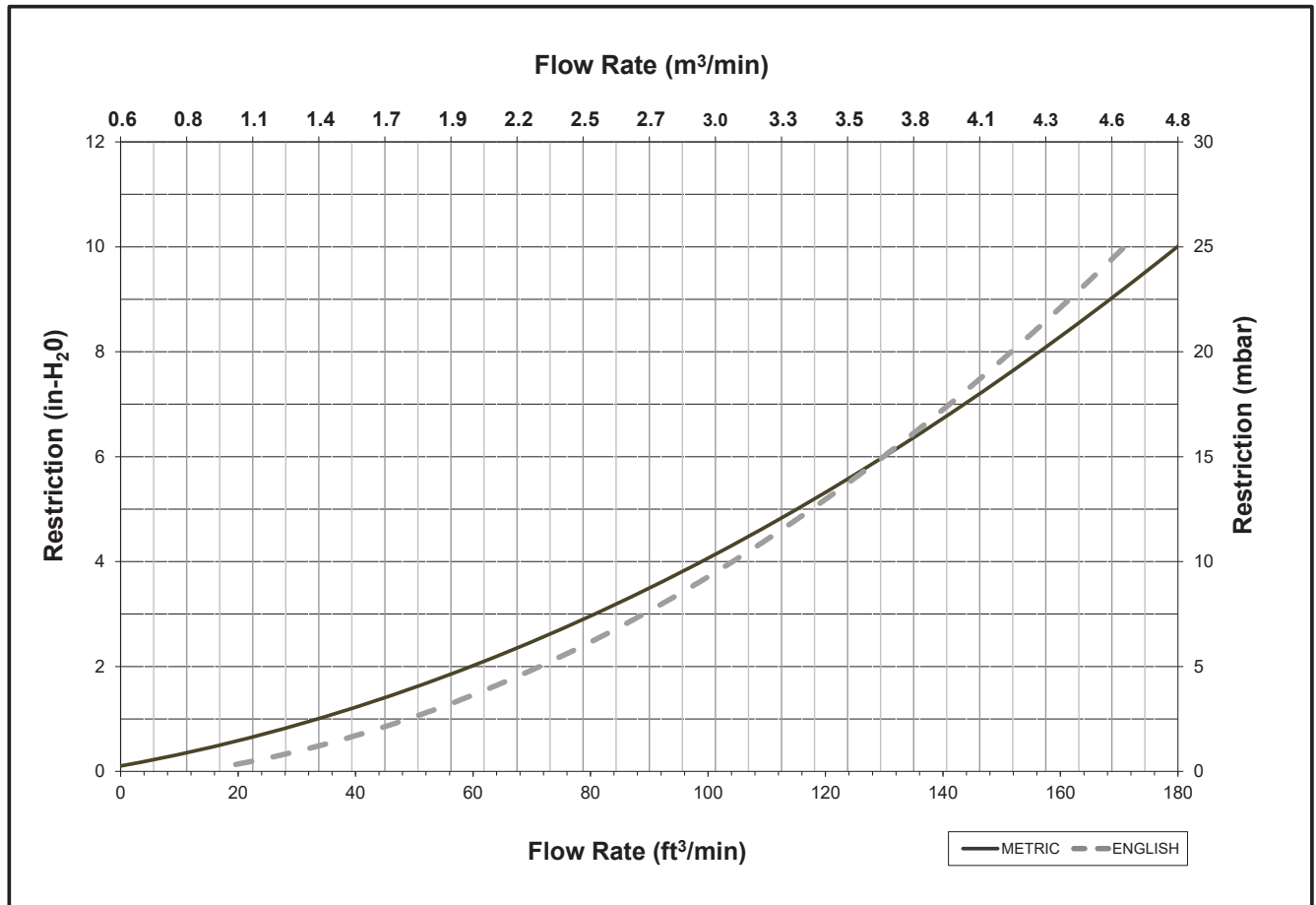


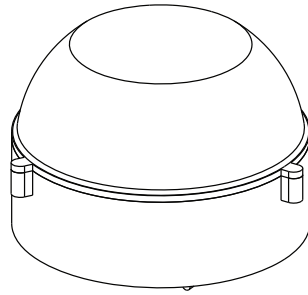
All dimensions are in inches (millimeters).

Ordering Information

Single-Stage Pre-Cleaner	
Part Number	Description
AP8408	Pre-Cleaner

Performance



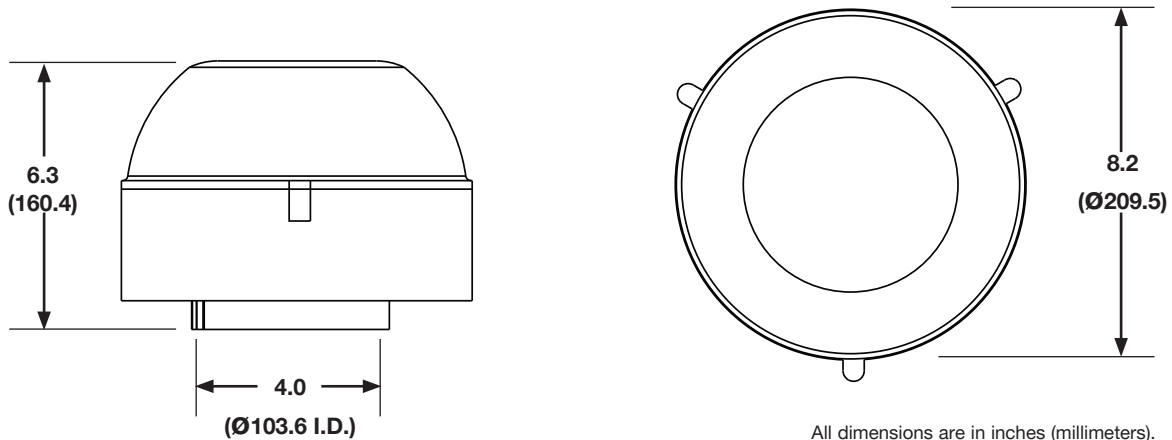


Specifications

Specification	AP8409
Width, Overall	8.2" (Ø209.5 mm)
Height, Overall	6.3" (160.4 mm)
Application Flow Rate	275-350 CFM (7.79-9.91 m³/min)
Outlet tube	4.0" (Ø 103.6 mm I.D.)

Specifications subject to change without notice.

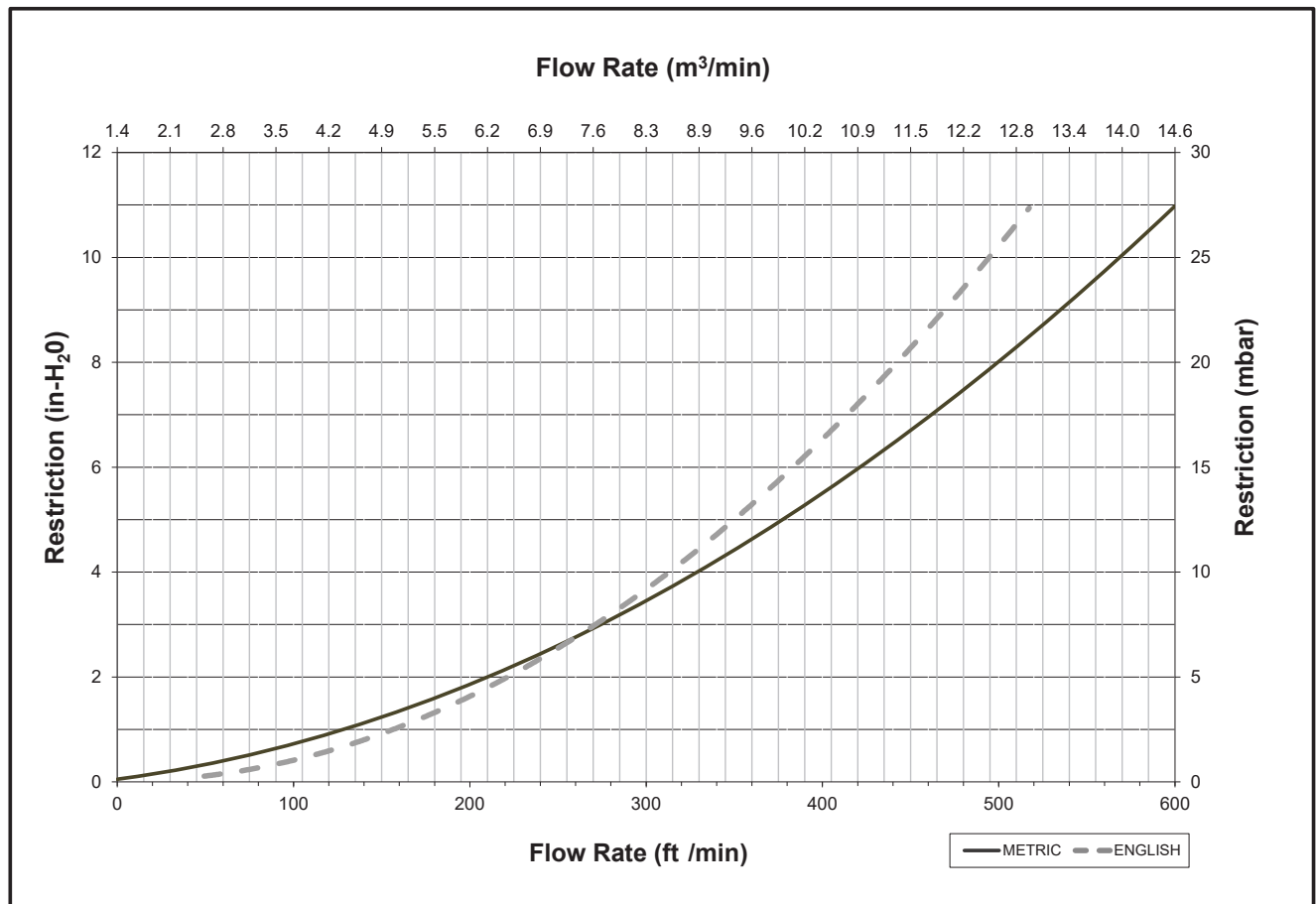
Dimensions

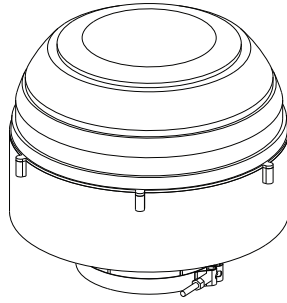


Ordering Information

Single-Stage Pre-Cleaner	
Part Number	Description
AP8409	Pre-Cleaner

Performance



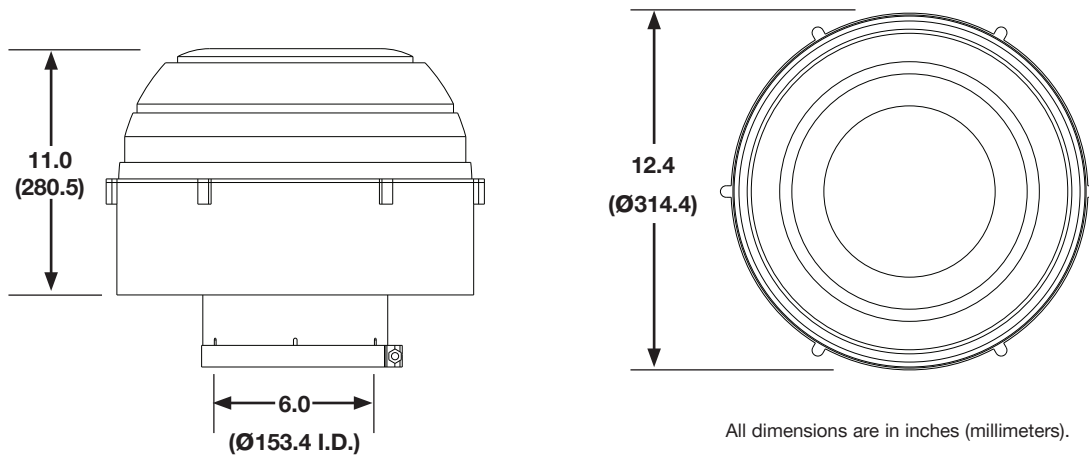


Specifications

Specification	AP8410
Width, Overall	12.4" (Ø314.4 mm)
Height, Overall	11.0" (280.5 mm)
Application Flow Rate	650-800 CFM (18.41-22.65 m³/min)
Outlet tube	6.0" (Ø 153.4 mm I.D.)

Specifications subject to change without notice.

Dimensions

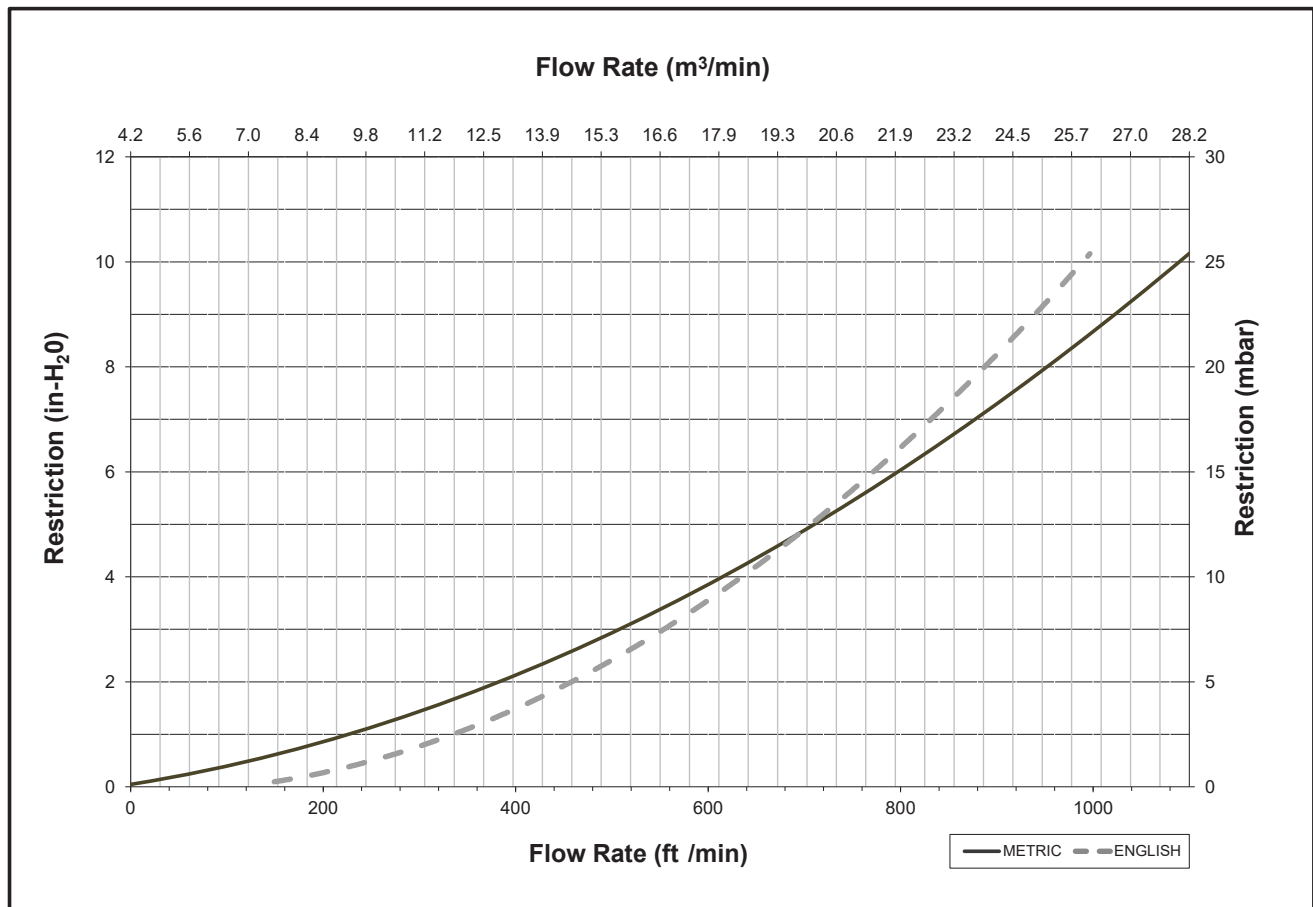


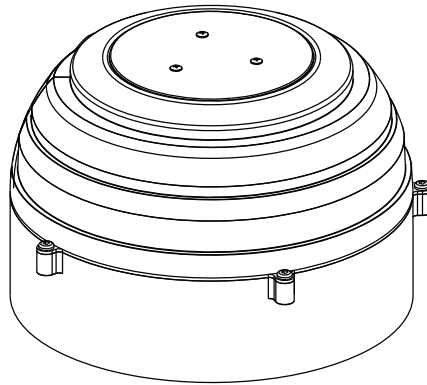
All dimensions are in inches (millimeters).

Ordering Information

Single-Stage Pre-Cleaner	
Part Number	Description
AP8410	Pre-Cleaner

Performance



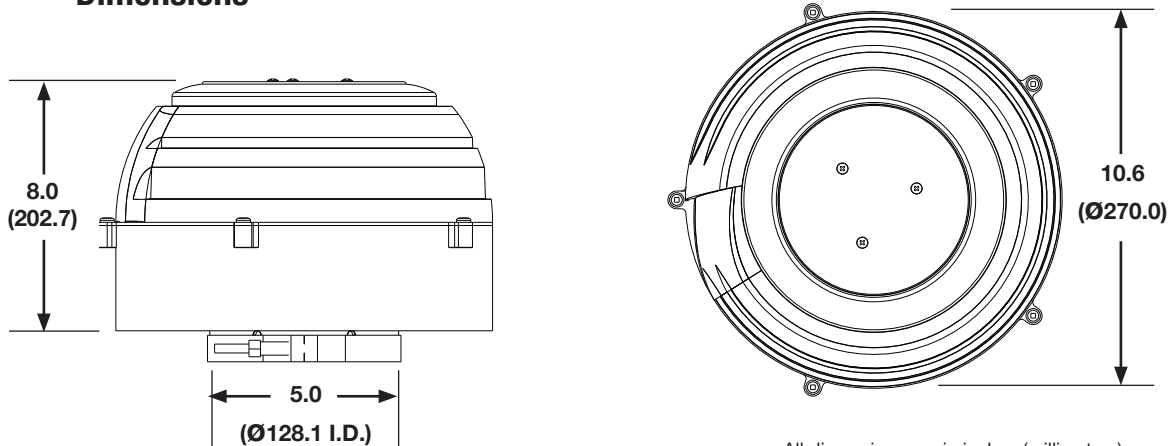


Specifications

Specification	AP8421
Width, Overall	10.6" (Ø270.0 mm)
Height, Overall	8.0" (202.7 mm)
Application Flow Rate	350-500 CFM (9.91-14.16 m ³ /min)
Outlet tube	5.0" (Ø 128.1 mm I.D.)

Specifications subject to change without notice.

Dimensions



All dimensions are in inches (millimeters).

Ordering Information

Single-Stage Pre-Cleaner	
Part Number	Description
AP8421	Pre-Cleaner

Performance

