

Specifications

| Specifications | AH55643 |
|--|------------------------------------|
| Length, Overall | 24.5" (622.8 mm) |
| Width, Overall | 10.9" (277.4 mm) |
| Height, Overall | 9.5" (241.3 mm) |
| Flow, MIN. AT 2" H ₂ O (0.5 kPa) Restriction | 180 CFM (5.0 m ³ /min) |
| Flow, MAX. AT 12" H ₂ O (3.0 kPa) Restriction | 480 CFM (13.6 m ³ /min) |
| Secondary Element | Yes |
| Housing Material | Glass-filled Polyamide |
| Pre-Cleaner | No |
| Inlet | Straight 5.0" (127 mm) |
| Outlet | Straight 4.0" (101.6 mm) |
| Filter Efficiency | ≥ 99.90% per ISO 5011 |

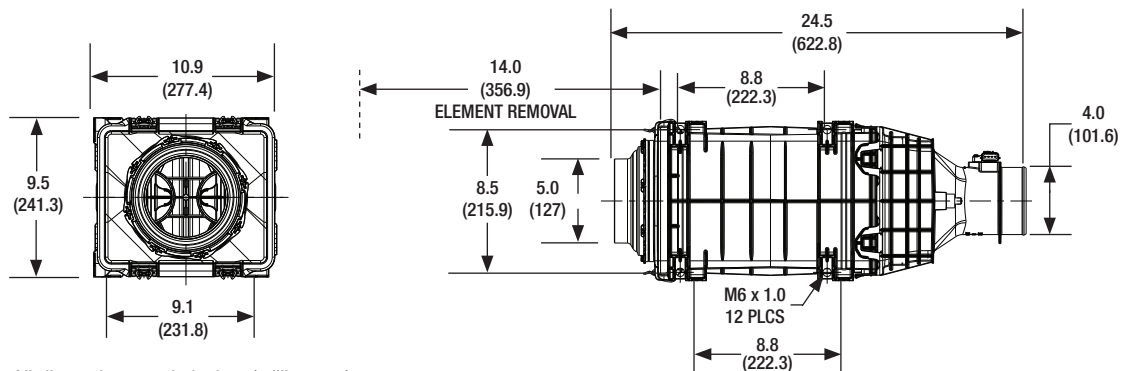
Specifications Subject to change without notice.

Dust Holding Capacity per Flow Rate

| Specification | Non Aspirated | |
|---|---------------|---------------------|
| | CFM | m ³ /min |
| Maximum Flow for 10 g/CFM (357.1 g/m ³ /min) | 212 | 6.0 |
| Maximum Flow for 25 g/CFM (892.9 g/m ³ /min) | N/A* | N/A* |

* Requires pre-cleaner (optional)

Dimensions



All dimensions are in inches (millimeters)

Ordering Information

| Air Cleaners | |
|--------------|--|
| Part Number | Description |
| AH55643 | Direct Flow -Front Inlet -With TBAP Sensor |

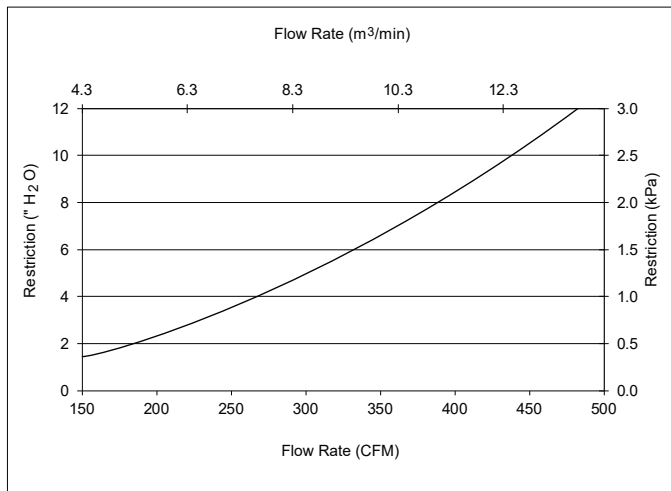
| Service Parts | |
|---------------|---------------------|
| Part Number | Description |
| AF55021 | Primary Element |
| AF55320 | Secondary Element |
| SP1042 | Front Service Cover |
| SP1060 | M6 Mounting clips |

| Optional Accessories | |
|----------------------|----------------------------|
| Part Number | Description |
| 3316658S | 4" Band Clamp |
| 3316660S | 5" Band Clamp |
| 3316608S | 4" Hump Hose |
| 3316610S | 5" Hump Hose |
| 3316568S | 4" 90° Elbow |
| 3316570S | 5" 90° Elbow |
| 3316618S | 5" to 4" Hump Hose Reducer |
| 3946329S | Restriction Indicator |

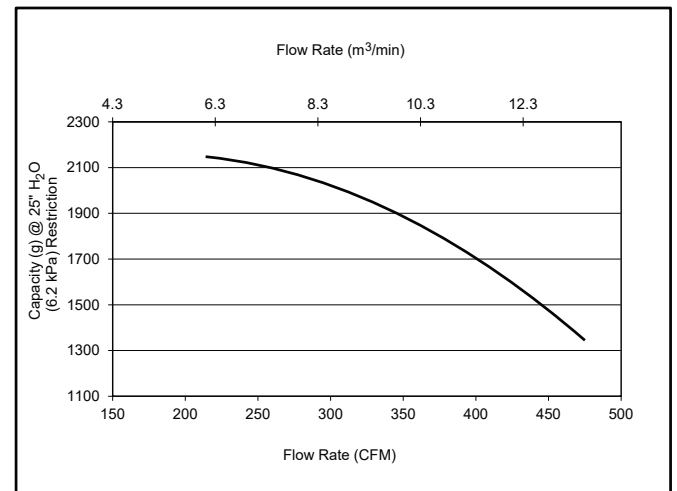
Additional sizes/shapes may be available.
Refer to the Cummins Filtration catalog or website.

Performance

System Restriction vs Flow Rate

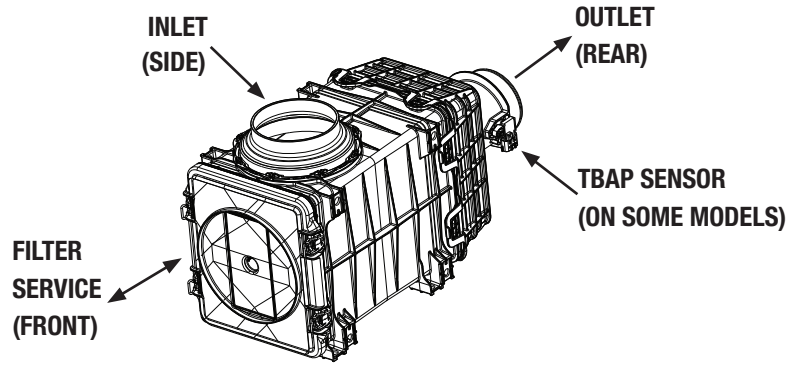


System Capacity vs Flow Rate



| Restriction | | Flow Rate | | Typical Capacity at 25" H ₂ O (6.2 kPa) of Terminal Restriction Non Aspirated (g) |
|---------------------|-----|-----------|--------|--|
| in H ₂ O | kPa | CFM | m³/min | |
| 4.0 | 1.0 | 268 | 7.6 | 2080 |
| 6.0 | 1.5 | 332 | 9.4 | 1940 |
| 8.0 | 2.0 | 390 | 11.0 | 1750 |
| 10.0 | 2.5 | 440 | 12.5 | 1525 |
| 12.0 | 3.0 | 482 | 13.6 | 1325 |

ISO Fine Dust
1.0 g/m³ Feed Rate
25" H₂O (6.2 kPa)
Terminal Restriction
per ISO 5011



Specifications

| Specifications | AH55644 |
|--|------------------------------------|
| Length, Overall | 22.4" (570.8 mm) |
| Width, Overall | 9.5" (241.3 mm) |
| Height, Overall | 12.7" (322.8 mm) |
| Flow, MIN. AT 2" H ₂ O (0.5 kPa) Restriction | 180 CFM (5.1 m ³ /min) |
| Flow, MAX. AT 12" H ₂ O (3.0 kPa) Restriction | 480 CFM (13.6 m ³ /min) |
| Secondary Element | Yes |
| Housing Material | Glass-filled Polyamide |
| Pre-Cleaner | No |
| Inlet | 90° to Outlet 5" (127 mm) |
| Outlet | Straight 4.0" (101.6 mm) |
| Filter Efficiency | ≥ 99.90% per ISO 5011 |

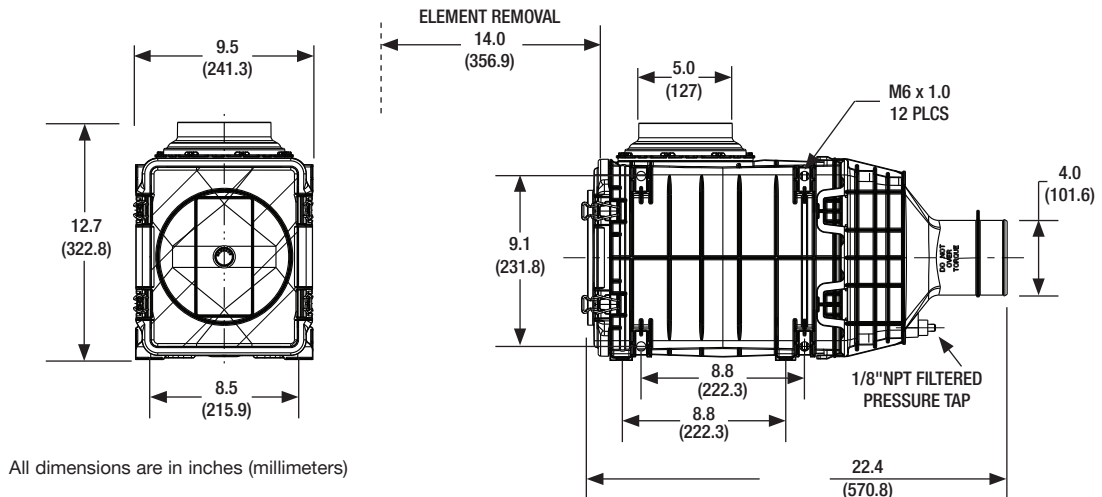
Specifications Subject to change without notice.

Dust Holding Capacity per Flow Rate

| Specification | Non Aspirated | |
|---|---------------|---------------------|
| | CFM | m ³ /min |
| Maximum Flow for 10 g/CFM (357.1 g/m ³ /min) | 230 | 6.5 |
| Maximum Flow for 25 g/CFM (892.9 g/m ³ /min) | N/A* | N/A* |

* Requires pre-cleaner (Optional)

Dimensions



All dimensions are in inches (millimeters)

Ordering Information

| Air Cleaners | |
|--------------|---|
| Part Number | Description |
| AH55644 | Direct Flow -Side Inlet -With TBAP Sensor |

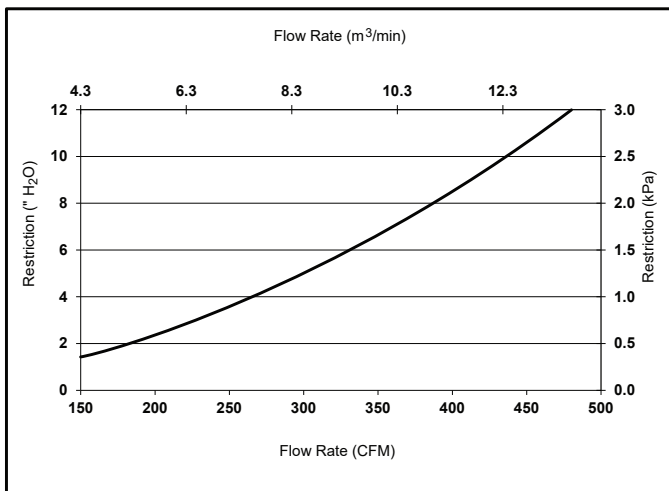
| Service Parts | |
|---------------|---------------------|
| Part Number | Description |
| AF55021 | Primary Element |
| AF55320 | Secondary Element |
| SP1041 | Front Service Cover |
| SP1060 | M6 Mounting clips |

| Optional Accessories | |
|----------------------|----------------------------|
| Part Number | Description |
| 3316658S | 4" Band Clamp |
| 3316660S | 5" Band Clamp |
| 3316608S | 4" Hump Hose |
| 3316610S | 5" Hump Hose |
| 3316568S | 4" 90° Elbow |
| 3316570S | 5" 90° Elbow |
| 3316618S | 5" to 4" Hump Hose Reducer |
| 3946329S | Restriction Indicator |

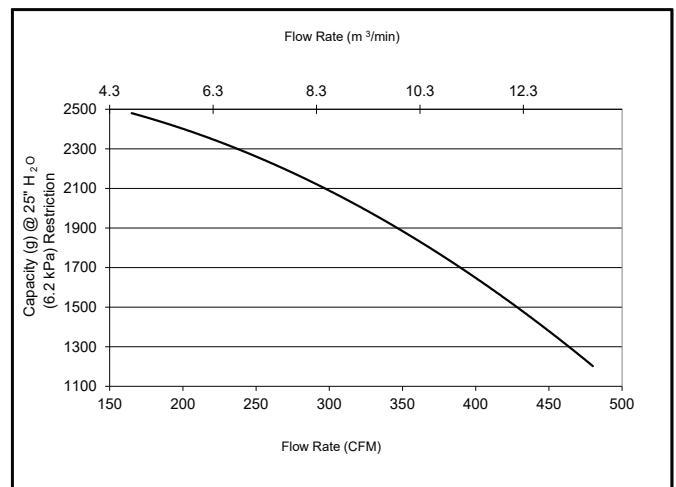
Additional sizes/shapes may be available.
Refer to the Cummins Filtration catalog or website.

Performance

System Restriction vs Flow Rate

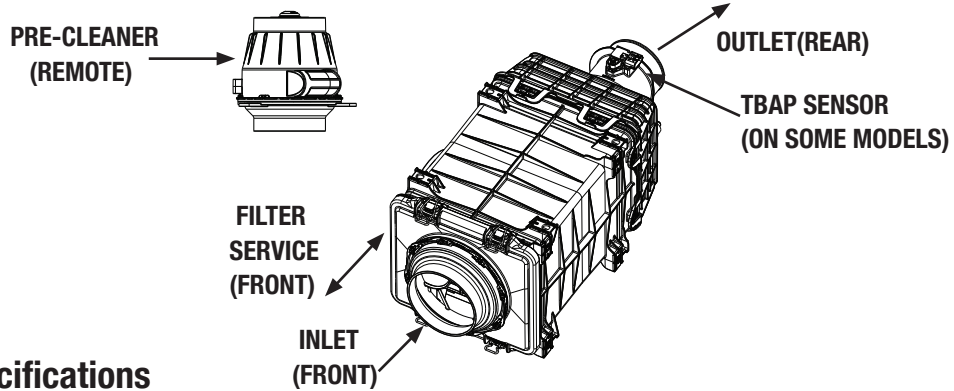


System Capacity vs Flow Rate



| Restriction | | Flow Rate | | Typical Capacity at 25" H ₂ O (6.2 kPa) of Terminal Restriction Non Aspirated (g) |
|---------------------|-----|-----------|--------|---|
| in H ₂ O | kPa | CFM | m³/min | |
| 4.0 | 1.0 | 265 | 7.5 | 2225 |
| 6.0 | 1.5 | 330 | 9.3 | 1975 |
| 8.0 | 2.0 | 388 | 11.0 | 1700 |
| 10.0 | 2.5 | 435 | 12.3 | 1450 |
| 12.0 | 3.0 | 480 | 13.6 | 1200 |

ISO Fine Dust
1.0 g/m³ Feed Rate
25" H₂O (6.2 kPa)
Terminal Restriction
per ISO 5011



Specifications

| Specifications | AK55696 |
|--|------------------------------------|
| Length, Overall | 24.5" (622.8 mm) |
| Width, Overall | 9.5" (241.3 mm) |
| Height, Overall | 10.9" (277.4 mm) |
| Flow, MIN. AT 2" H ₂ O (0.5 kPa) Restriction | 155 CFM (4.4 m ³ /min) |
| Flow, MAX. AT 12" H ₂ O (3.0 kPa) Restriction | 378 CFM (10.7 m ³ /min) |
| Secondary Element | Yes |
| Housing Material | Glass-filled Polyamide |
| Pre-Cleaner | Remote |
| Inlet | Straight 5" (127 mm) |
| Outlet | Straight 4" (101.6 mm) |
| Filter Efficiency | ≥ 99.90% per ISO 5011 |

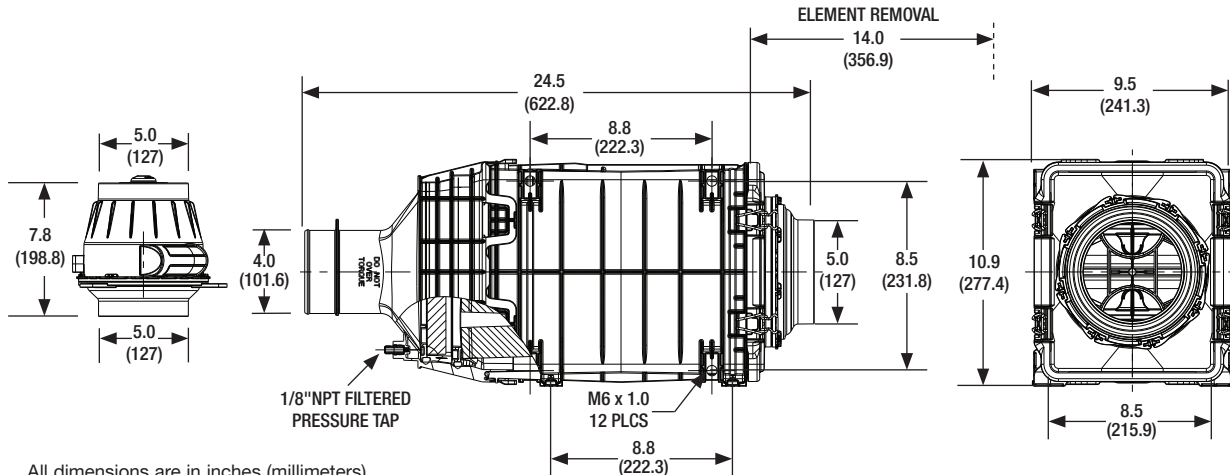
Specifications Subject to change without notice.

Dust Holding Capacity per Flow Rate

| Specification | Non Aspirated | |
|---|---------------|---------------------|
| | CFM | m ³ /min |
| Maximum Flow for 10 g/CFM (357.1 g/m ³ /min) | 378* | 10.7* |
| Maximum Flow for 25 g/CFM (892.9 g/m ³ /min) | 292 | 8.2 |

* Indicates maximum recommended flow rate.

Dimensions



All dimensions are in inches (millimeters)

Ordering Information

| Air Cleaners | |
|--------------|---|
| Part Number | Description |
| AK55696 | Direct Flow -Front Inlet -Remote Pre-Cleaner -With TBAP Sensor |

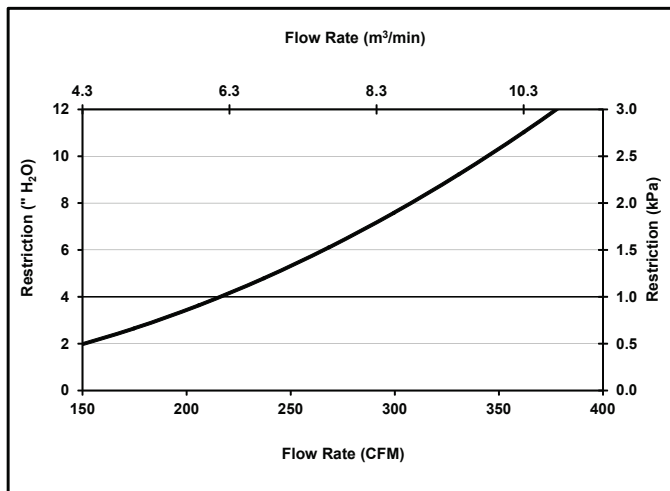
| Service Parts | |
|---------------|----------------------------|
| Part Number | Description |
| AF55021 | Primary Element |
| AF55320 | Secondary Element |
| AP15914 | Pre-Cleaner |
| AP15912 | Pre-Cleaner remote adapter |
| SP1048 | Dust Ejection Valve (DEV) |
| SP1060 | M6 Mounting clips |
| SP1042 | Front Service Cover |

| Optional Accessories | |
|----------------------|----------------------------|
| Part Number | Description |
| 3316658S | 4" Band Clamp |
| 3316660S | 5" Band Clamp |
| 3316608S | 4" Hump Hose |
| 3316610S | 5" Hump Hose |
| 3316568S | 4" 90° Elbow |
| 3316570S | 5" 90° Elbow |
| 3316618S | 5" to 4" Hump Hose Reducer |
| 3946329S | Restriction Indicator |

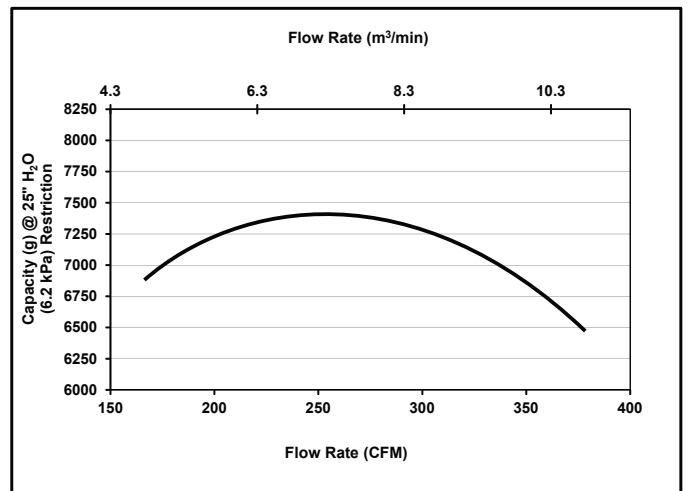
Additional sizes/shapes may be available. Refer to the Cummins Filtration catalog or website.

Performance

System Restriction vs Flow Rate

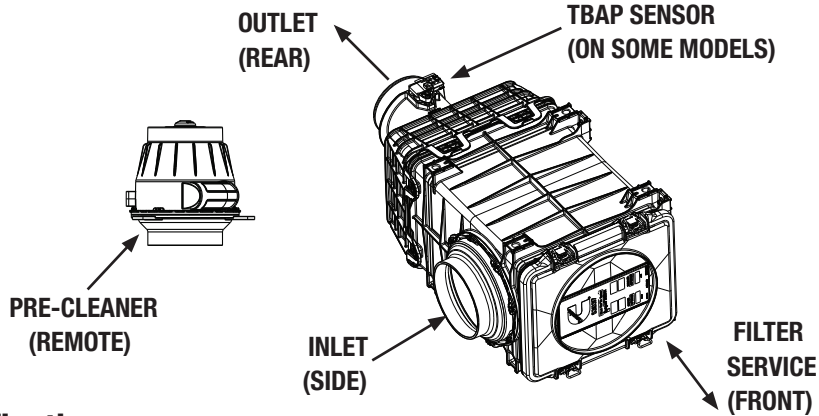


System Capacity vs Flow Rate



| Restriction | | Flow Rate | | Typical Capacity at 25" H ₂ O (6.2 kPa) of Terminal Restriction |
|---------------------|-----|-----------|--------|--|
| in H ₂ O | kPa | CFM | m³/min | Non Aspirated (g) |
| 4.0 | 1.0 | 215 | 6.1 | 7300 |
| 6.0 | 1.5 | 265 | 7.5 | 7400 |
| 8.0 | 2.0 | 308 | 8.7 | 7250 |
| 10.0 | 2.5 | 345 | 9.8 | 6900 |
| 12.0 | 3.0 | 378 | 10.7 | 6500 |

ISO Coarse Dust
2.0 g/m³ Feed Rate
25" H₂O (6.2 kPa)
Terminal Restriction
per ISO 5011



Specifications

| Specifications | AK55697 |
|--|------------------------------------|
| Length, Overall | 22.4" (570.8 mm) |
| Width, Overall | 9.5" (241.3 mm) |
| Height, Overall | 12.7" (322.8 mm) |
| Flow, MIN. AT 2" H ₂ O (0.5 kPa) Restriction | 155 CFM (4.4 m ³ /min) |
| Flow, MAX. AT 12" H ₂ O (3.0 kPa) Restriction | 378 CFM (10.7 m ³ /min) |
| Secondary Element | Yes |
| Housing Material | Glass-filled Polyamide |
| Pre-Cleaner | Remote |
| Inlet | 90° to Outlet 5" (127 mm) |
| Outlet | Straight 4" (101.6 mm) |
| Filter Efficiency | ≥ 99.90% per ISO 5011 |

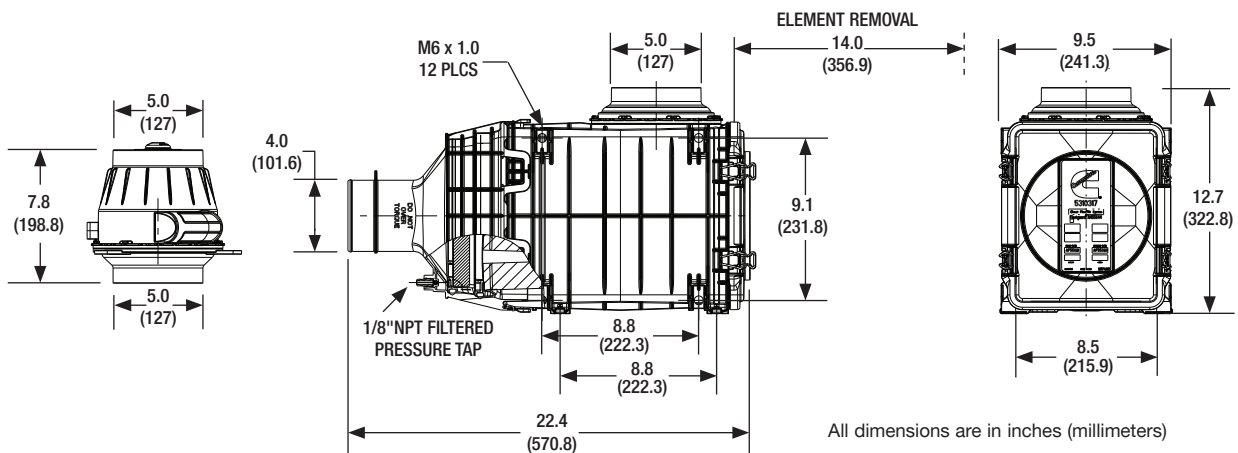
Specifications Subject to change without notice.

Dust Holding Capacity per Flow Rate

| Specification | Non Aspirated | |
|---|---------------|---------------------|
| | CFM | m ³ /min |
| Maximum Flow for 10 g/CFM (357.1 g/m ³ /min) | 378* | 10.7* |
| Maximum Flow for 25 g/CFM (892.9 g/m ³ /min) | 292 | 8.2 |

* Indicates maximum recommended flow rate.

Dimensions



All dimensions are in inches (millimeters)

Ordering Information

| Air Cleaners | |
|--------------|--|
| Part Number | Description |
| AK55697 | Direct Flow -Side Inlet -Remote Pre-Cleaner -With TBAP Sensor |

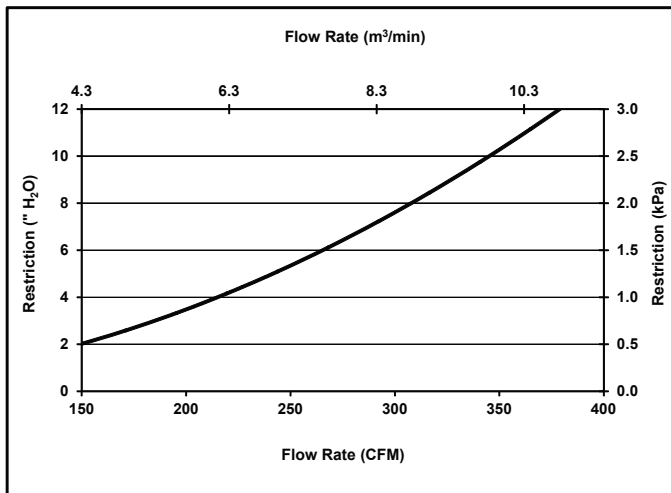
| Service Parts | |
|---------------|----------------------------|
| Part Number | Description |
| AF55021 | Primary Element |
| AF55320 | Secondary Element |
| AP15914 | Pre-Cleaner |
| AP15912 | Pre-Cleaner Remote Adapter |
| SP1048 | Dust Ejection Valve (DEV) |
| SP1060 | M6 Mounting clips |
| SP1041 | Front Service Cover |

| Optional Accessories | |
|----------------------|----------------------------|
| Part Number | Description |
| 3316658S | 4" Band Clamp |
| 3316660S | 5" Band Clamp |
| 3316608S | 4" Hump Hose |
| 3316610S | 5" Hump Hose |
| 3316568S | 4" 90° Elbow |
| 3316570S | 5" 90° Elbow |
| 3316618S | 5" to 4" Hump Hose Reducer |
| 3946329S | Restriction Indicator |

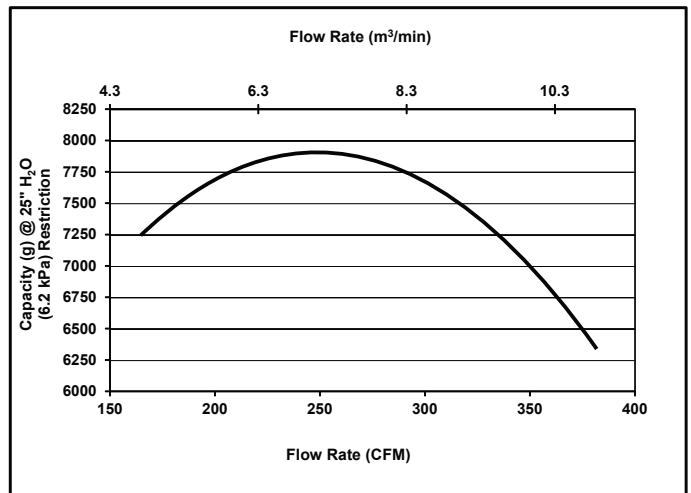
Additional sizes/shapes may be available.
Refer to the Cummins Filtration catalog or website.

Performance

System Restriction vs Flow Rate



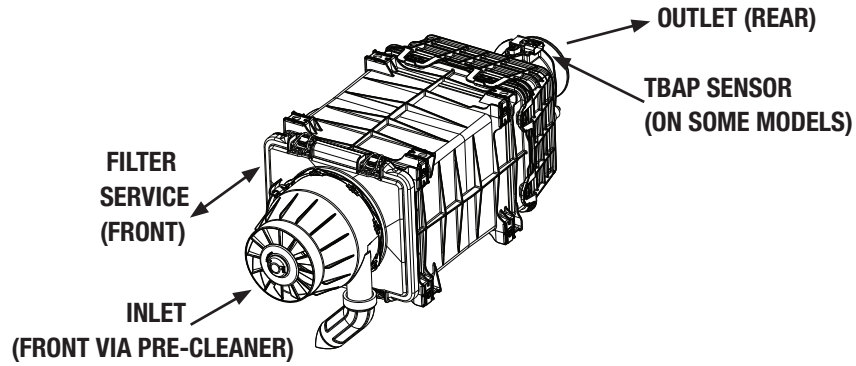
System Capacity vs Flow Rate



*Data reflects the pre-cleaner as integrated.

| Restriction | | Flow Rate | | Typical Capacity at 25" H ₂ O (6.2 kPa) of Terminal Restriction Non Aspirated (g) |
|---------------------|-----|-----------|--------|---|
| in H ₂ O | kPa | CFM | m³/min | |
| 4.0 | 1.0 | 215 | 6.1 | 7800 |
| 6.0 | 1.5 | 265 | 7.5 | 7900 |
| 8.0 | 2.0 | 308 | 8.7 | 7600 |
| 10.0 | 2.5 | 345 | 9.8 | 7100 |
| 12.0 | 3.0 | 378 | 10.7 | 6400 |

ISO Coarse Dust
2.0 g/m³ Feed Rate
25" H₂O (6.2 kPa)
Terminal Restriction
per ISO 5011



Specifications

| Specifications | AK55698 |
|--|---|
| Length, Overall | 28.2" (717.3 mm) |
| Width, Overall | 10.9" (277.4 mm) |
| Height, Overall | 9.5" (241.3 mm) |
| Flow, MIN. AT 2" H ₂ O (0.5 kPa) Restriction | 155 CFM (4.4 m ³ /min) |
| Flow, MAX. AT 12" H ₂ O (3.0 kPa) Restriction | 378 CFM (10.7 m ³ /min) |
| Secondary Element | Yes |
| Housing Material | Glass-filled Polyamide |
| Pre-Cleaner | Integrated |
| Inlet | Straight - via pre-cleaner, 5" (127 mm) |
| Outlet | Straight 4.0" (101.6 mm) |
| Filter Efficiency | ≥ 99.90% per ISO 5011 |

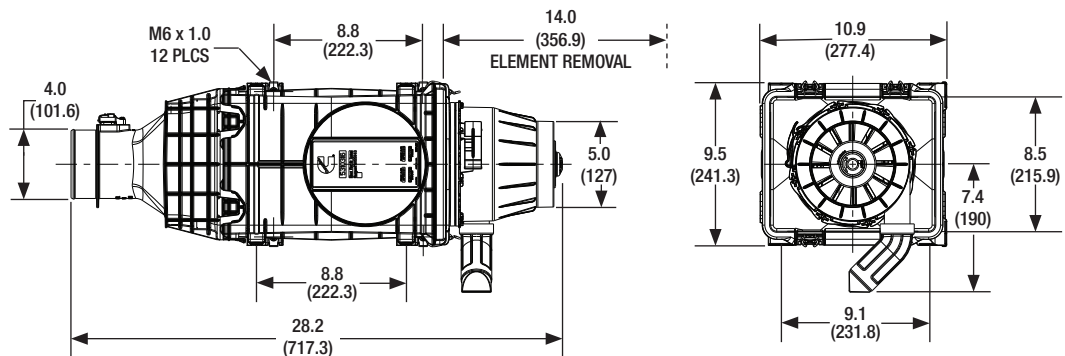
Specifications Subject to change without notice.

Dust Holding Capacity per Flow Rate

| Specification | Non Aspirated | |
|---|---------------|---------------------|
| | CFM | m ³ /min |
| Maximum Flow for 10 g/CFM (357.1 g/m ³ /min) | 378* | 10.7* |
| Maximum Flow for 25 g/CFM (892.9 g/m ³ /min) | 292 | 8.2 |

* Indicates maximum recommended flow rate.

Dimensions



All dimensions are in inches (millimeters)

Ordering Information

| Air Cleaners | |
|--------------|---|
| Part Number | Description |
| AK55698 | Direct Flow -Front Inlet -Integrated Pre-Cleaner -With TBAP Sensor |

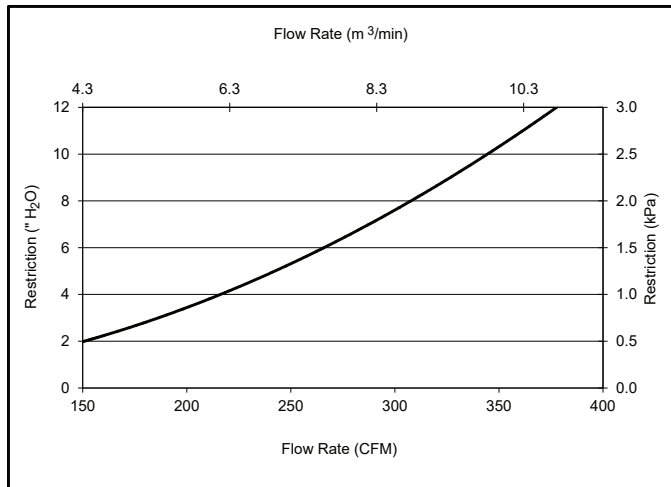
| Service Parts | |
|---------------|---------------------------|
| Part Number | Description |
| AF55021 | Primary Element |
| AF55320 | Secondary Element |
| SP1048 | Dust Ejection Valve (DEV) |
| SP1060 | M6 Mounting clips |
| SP1042 | Front Service Cover |
| AP15914 | Pre-Cleaner |

| Optional Accessories | |
|----------------------|----------------------------|
| Part Number | Description |
| 3316658S | 4" Band Clamp |
| 3316660S | 5" Band Clamp |
| 3316608S | 4" Hump Hose |
| 3316610S | 5" Hump Hose |
| 3316568S | 4" 90° Elbow |
| 3316570S | 5" 90° Elbow |
| 3316618S | 5" to 4" Hump Hose Reducer |
| 3946329S | Restriction Indicator |

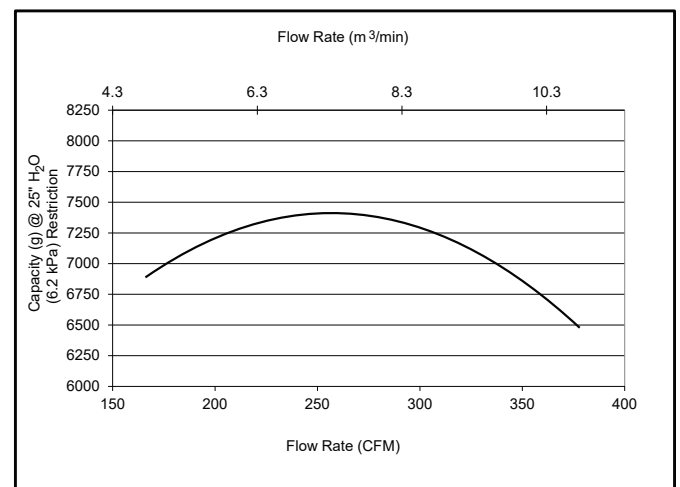
Additional sizes/shapes may be available.
Refer to the Cummins Filtration catalog or website.

Performance

System Restriction vs Flow Rate

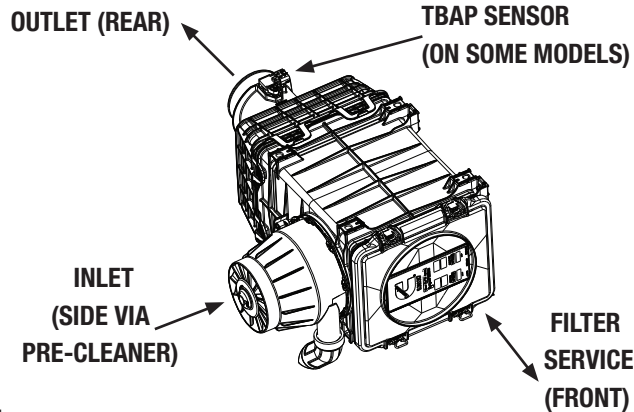


System Capacity vs Flow Rate



| Restriction | | Flow Rate | | Typical Capacity at 25" H ₂ O (6.2 kPa) of Terminal Restriction Non Aspirated (g) |
|---------------------|-----|-----------|--------|---|
| in H ₂ O | kPa | CFM | m³/min | |
| 4.0 | 1.0 | 215 | 6.1 | 7300 |
| 6.0 | 1.5 | 265 | 7.5 | 7400 |
| 8.0 | 2.0 | 308 | 8.7 | 7250 |
| 10.0 | 2.5 | 345 | 9.8 | 6900 |
| 12.0 | 3.0 | 378 | 10.7 | 6500 |

ISO Coarse Dust
2.0 g/m³ Feed Rate
25" H₂O (6.2 kPa)
Terminal Restriction
per ISO 5011



Specifications

| Specifications | AK55699 |
|--|--|
| Length, Overall | 22.5" (570.8 mm) |
| Width, Overall | 16.9" (429.7 mm) |
| Height, Overall | 9.5" (241.3 mm) |
| Flow, MIN. AT 2" H ₂ O (0.5 kPa) Restriction | 155 CFM (4.4 m ³ /min) |
| Flow, MAX. AT 12" H ₂ O (3.0 kPa) Restriction | 378 CFM (10.7 m ³ /min) |
| Secondary Element | Yes |
| Housing Material | Glass-filled Polyamide |
| Pre-Cleaner | Integrated |
| Inlet | 90° to Outlet - via pre-cleaner, 5" (127 mm) |
| Outlet | Straight 4.0" (101.6 mm) |
| Filter Efficiency | ≥ 99.90% per ISO 5011 |

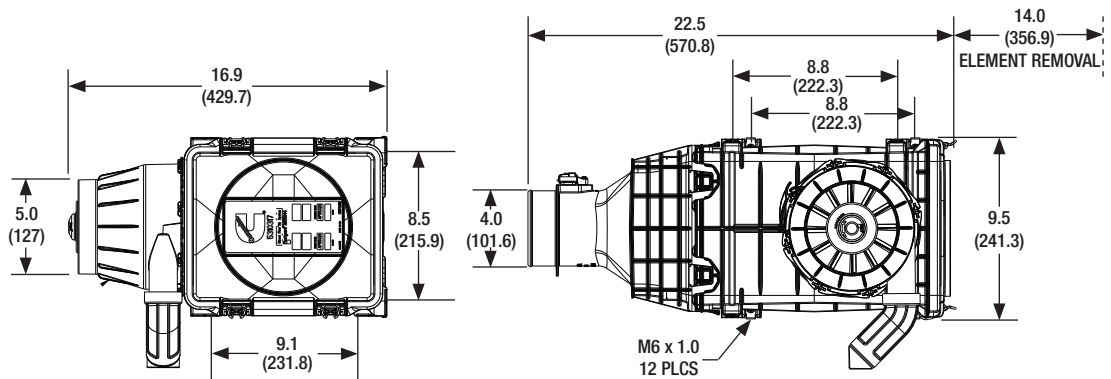
Specifications Subject to change without notice.

Dust Holding Capacity per Flow Rate

| Specification | Non Aspirated | |
|---|---------------|---------------------|
| | CFM | m ³ /min |
| Maximum Flow for 10 g/CFM (357.1 g/m ³ /min) | 378* | 10.7* |
| Maximum Flow for 25 g/CFM (892.9 g/m ³ /min) | 307 | 8.7 |

* Indicates maximum recommended flow rate.

Dimensions



All dimensions are in inches (millimeters)

Ordering Information

| Air Cleaners | |
|--------------|--|
| Part Number | Description |
| AK55699 | Direct Flow -Side Inlet -Integrated Pre-Cleaner -With TBAP Sensor |

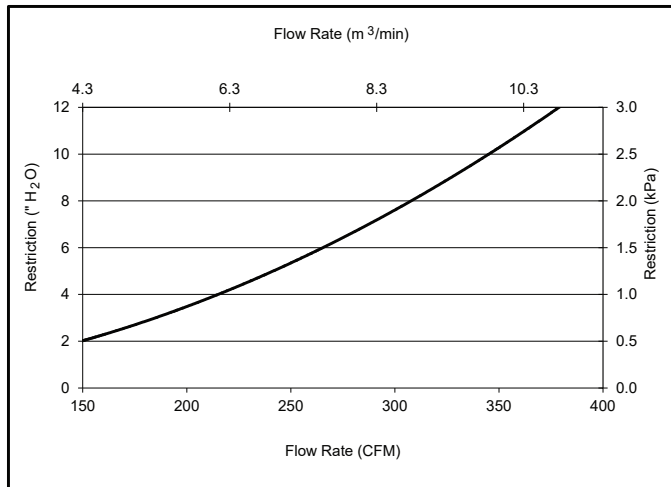
| Service Parts | |
|---------------|---------------------------|
| Part Number | Description |
| AF55021 | Primary Element |
| AF55320 | Secondary Element |
| SP1048 | Dust Ejection Valve (DEV) |
| SP1060 | M6 Mounting clips |
| SP1041 | Front Service Cover |
| AP15914 | Pre-Cleaner |

| Optional Accessories | |
|----------------------|----------------------------|
| Part Number | Description |
| 3316658S | 4" Band Clamp |
| 3316660S | 5" Band Clamp |
| 3316608S | 4" Hump Hose |
| 3316610S | 5" Hump Hose |
| 3316568S | 4" 90° Elbow |
| 3316570S | 5" 90° Elbow |
| 3316618S | 5" to 4" Hump Hose Reducer |
| 3946329S | Restriction Indicator |

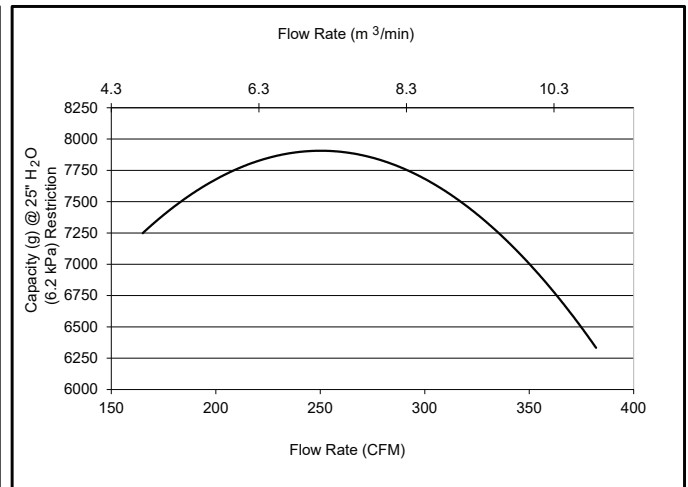
Additional sizes/shapes may be available.
Refer to the Cummins Filtration catalog or website.

Performance

System Restriction vs Flow Rate



System Capacity vs Flow Rate



| Restriction | | Flow Rate | | Typical Capacity at 25" H ₂ O (6.2 kPa) of Terminal Restriction |
|---------------------|-----|-----------|--------|--|
| in H ₂ O | kPa | CFM | m³/min | Non Aspirated (g) |
| 4.0 | 1.0 | 215 | 6.1 | 7800 |
| 6.0 | 1.5 | 265 | 7.5 | 7900 |
| 8.0 | 2.0 | 308 | 8.7 | 7600 |
| 10.0 | 2.5 | 345 | 9.8 | 7100 |
| 12.0 | 3.0 | 378 | 10.7 | 6400 |

ISO Coarse Dust
2.0 g/m³ Feed Rate
25" H₂O (6.2 kPa)
Terminal Restriction
per ISO 5011