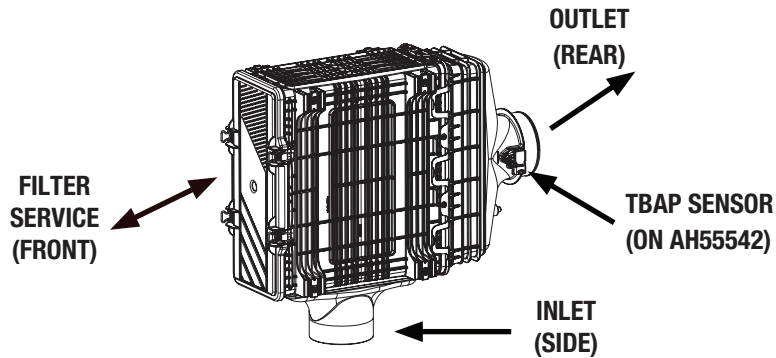


DF900 Series



Specifications

Specification	AH55542 • AH55559
Length, Overall	24.8" (632 mm)
Width, Overall	8.9" (228 mm)
Height, Overall	22.0" (561 mm)
Flow, Min. at 2" H ₂ O (0.5 kPa) Restriction	220 CFM (6.23 m ³ /min)
Flow, Max. at 12" H ₂ O (3.0 kPa) Restriction	606 CFM (17.1 m ³ /min)
Secondary Element	Yes
Housing Material	Glass-Filled Polyamide
Pre-Cleaner	No
Inlet	Straight, 5.0" (127 mm)
Outlet	Straight, 5.0" (127 mm)
Filter Efficiency	≥ 99.90% per ISO 5011

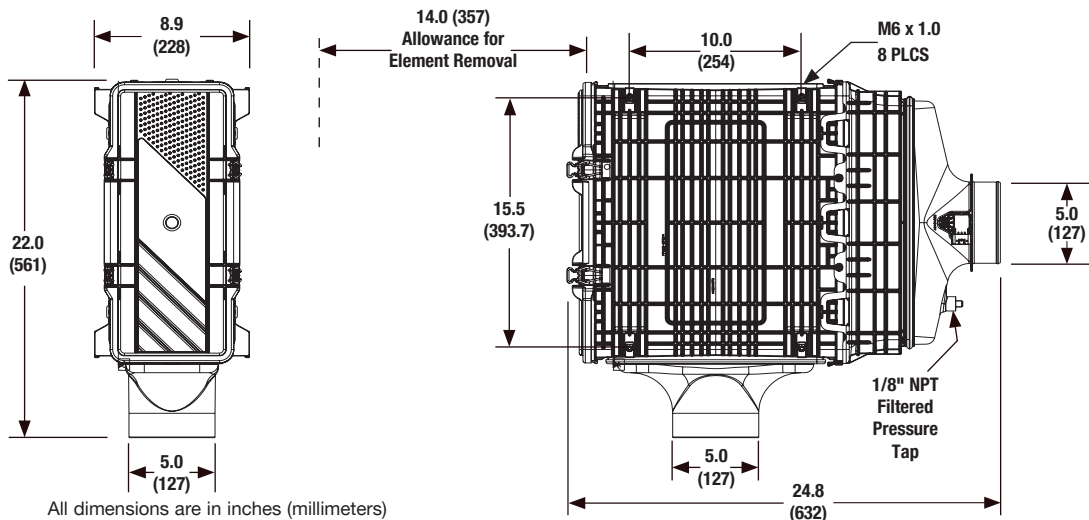
Specifications subject to change without notice.

Dust Holding Capacity per Flow Rate

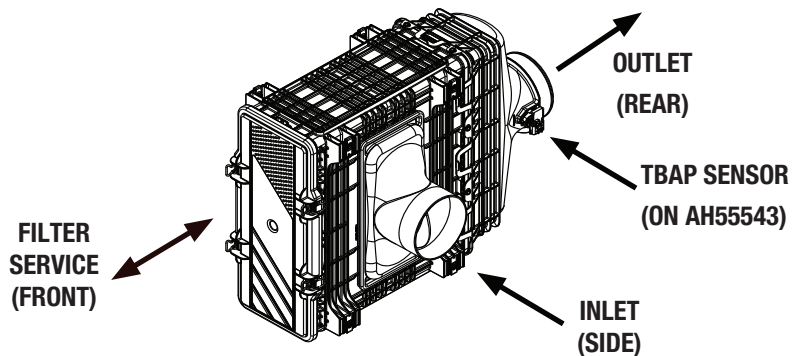
Specification	Non Aspirated	
	CFM	m ³ /min
Maximum Flow for 10 g/CFM (3500 g/m ³ /min)	280	7.9
Maximum Flow for 25 g/CFM (8750 g/m ³ /min)	N/A*	N/A*

*Requires precleaner (optional)

Dimensions



DF900 Series



Specifications

Specification	AH55543 • AH55556
Length, Overall	24.8" (632 mm)
Width, Overall	12.7" (323 mm)
Height, Overall	17.7" (450 mm)
Flow, Min. at 2" H ₂ O (0.5 kPa) Restriction	235 CFM (6.7 m ³ /min)
Flow, Max. at 12" H ₂ O (3.0 kPa) Restriction	635 CFM (18.0 m ³ /min)
Secondary Element	Yes
Housing Material	Glass-Filled Polyamide
Pre-Cleaner	No
Inlet	90° to Outlet, 5" (127 mm)
Outlet	Straight, 5" (127 mm)

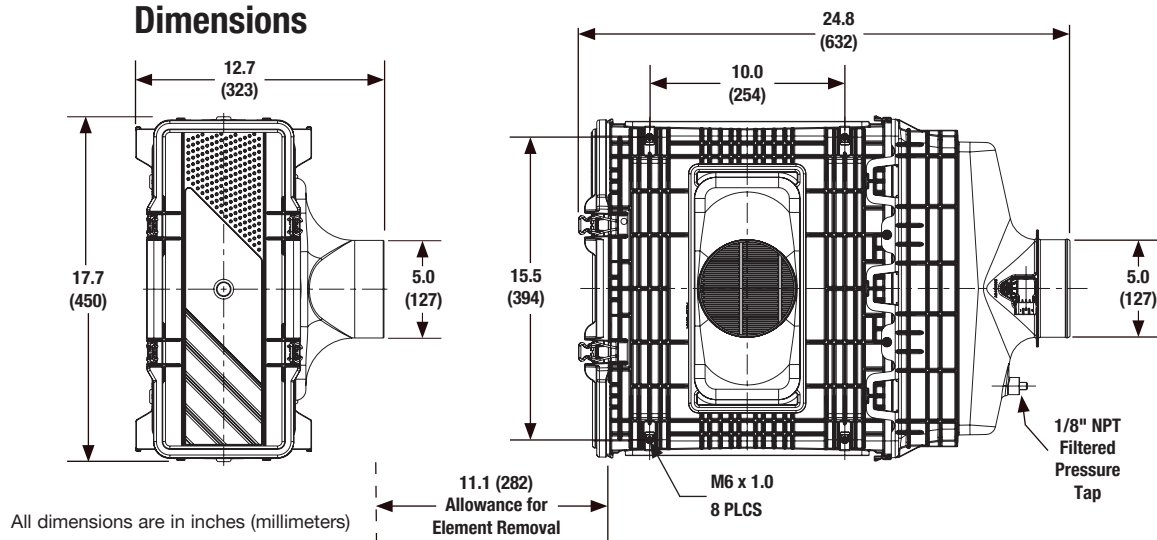
Specifications subject to change without notice.

Dust Holding Capacity per Flow Rate

Specification	Non Aspirated	
	CFM	m ³ /min
Maximum Flow for 10 g/CFM (3500 g/m ³ /min)	280	7.9
Maximum Flow for 25 g/CFM (8750 g/m ³ /min)	N/A*	N/A*

*Requires precleaner (optional)

Dimensions



All dimensions are in inches (millimeters)

Ordering Information

Air Cleaners	
Part Number	Description
AH55543	Direct Flow - Side Inlet - With TBAP Sensor
AH55556	Direct Flow - Side Inlet - Without TBAP Sensor

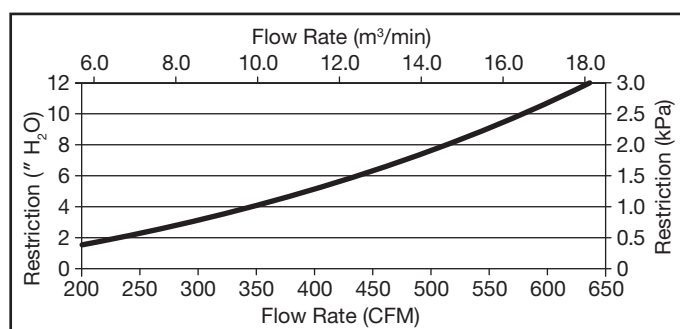
Service Parts	
Part Number	Description
AF55014	Primary Element
AF55308	Secondary Element
SP1004	Service Kit: DEV Tube, DEV Cap, J-Clips (4)
SP1400	Service Cover with O-Ring

Optional Accessories	
Part Number	Description
3316658S	4" Band Clamp
3316660S	5" Band Clamp
3316608S	4" Hump hose
3316610S	5" Hump Hose
3316568S	4" 90° Elbow
3316570S	5" 90° Elbow
3316618S	5" to 4" Hump Hose Reducer
3946329S	Restriction Indicator

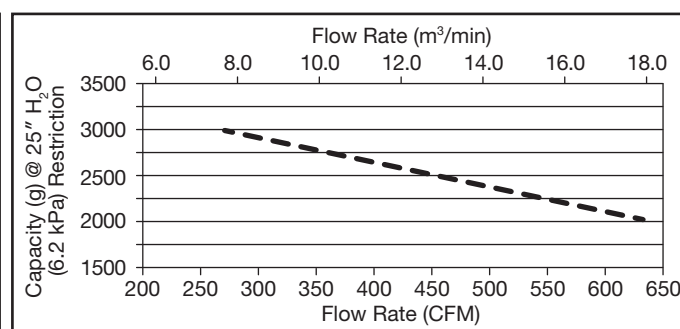
Additional sizes/shapes may be available. Refer to the Cummins Filtration catalog or website.

Performance

System Restriction vs Flow Rate



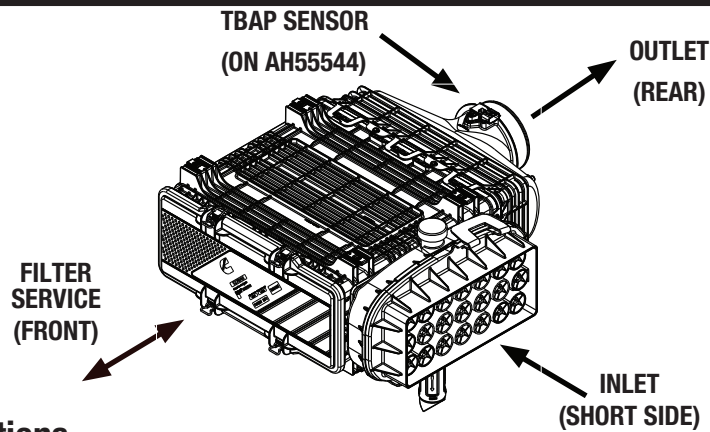
System Capacity vs Flow Rate



Restriction		Flow Rate		Typical Capacity at 25" H ₂ O (6.2 kPa) of Terminal Restriction
in H ₂ O	kPa	CFM	m³/min	Non Aspirated (g)
4	1.0	347	9.8	2754
6	1.5	436	12.3	2619
8	2.0	511	14.5	2433
10	2.5	576	16.3	2215
12	3.0	635	18.0	1973

ISO Fine Dust
1.0 g/m³ Feed Rate
25" H₂O (6.2 kPa)
Terminal Restriction
per ISO 5011

DF900 Series



Specifications

Specification	AH55544 • AH55560
Length, Overall	24.8" (632 mm)
Width, Overall	14.8" (377 mm)
Height, Overall	22.3" (568 mm)
Flow, Min. at 2" H ₂ O (0.5 kPa) Restriction	190 CFM (5.4 m ³ /min)
Flow, Max. at 12" H ₂ O (3.0 kPa) Restriction	515 CFM (14.6 m ³ /min)
Secondary Element	Yes
Housing Material	Glass-Filled Polyamide
Pre-Cleaner	Integral, Spinner-tube Type
Inlet	Via Pre-Cleaner
Outlet	Straight, 5.0" (127 mm)
Filter Efficiency	≥ 99.90% per ISO 5011

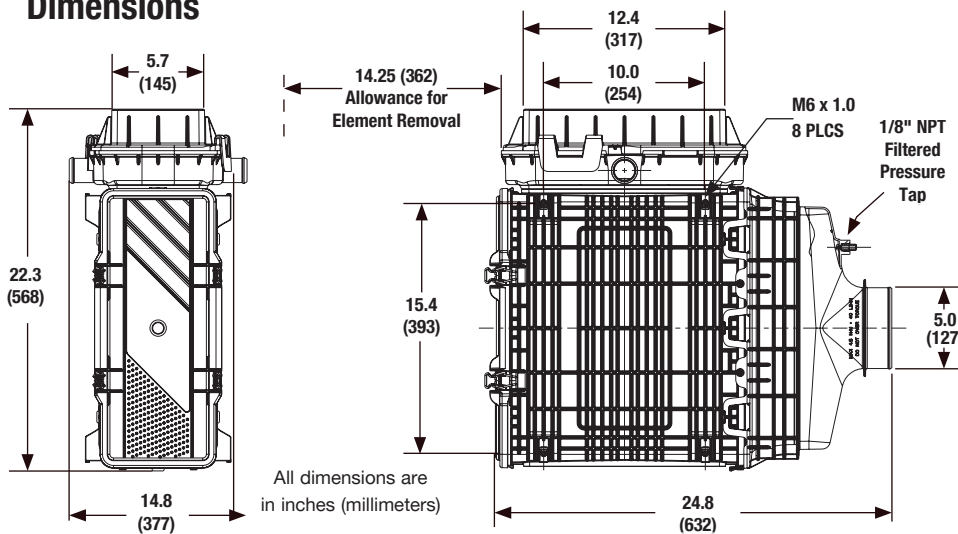
Specifications subject to change without notice.

Dust Holding Capacity per Flow Rate

Specification	Aspirated		Non Aspirated	
	CFM	m ³ /min	CFM	m ³ /min
Maximum Flow for 10 g/CFM (3500 g/m ³ /min)	515*	14.6*	515*	14.6*
Maximum Flow for 25 g/CFM (8750 g/m ³ /min)	515*	14.6*	380	10.8

*Indicates maximum recommended flow rate

Dimensions



All dimensions are in inches (millimeters)

Ordering Information

Air Cleaners	
Part Number	Description
AH55544	Direct Flow - Integrated Pre-Cleaner - Side Inlet - With TBAP Sensor
AH55560	Direct Flow - Integrated Pre-Cleaner - Side Inlet - Without TBAP Sensor

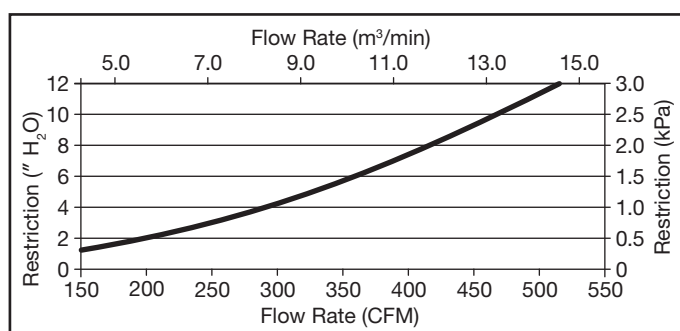
Service Parts	
Part Number	Description
AF55014	Primary Element
AF55308	Secondary Element
SP1004	Service Kit: DEV Tube, DEV Cap, J-Clips (4)
SP1400	Service Cover with O-Ring

Optional Accessories	
Part Number	Description
3316658S	4" Band Clamp
3316660S	5" Band Clamp
3316608S	4" Hump hose
3316610S	5" Hump Hose
3316568S	4" 90° Elbow
3316570S	5" 90° Elbow
3316618S	5" to 4" Hump Hose Reducer
3946329S	Restriction Indicator

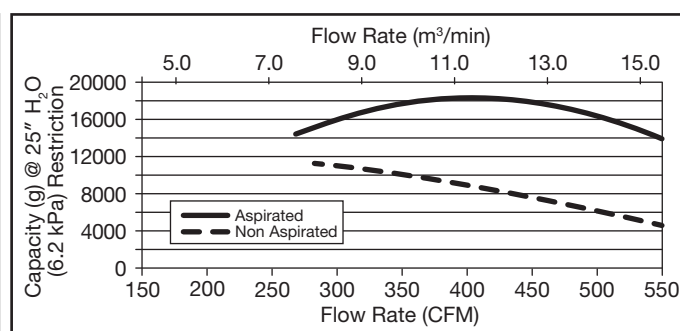
Additional sizes/shapes may be available. Refer to the Cummins Filtration catalog or website.

Performance

System Restriction vs Flow Rate



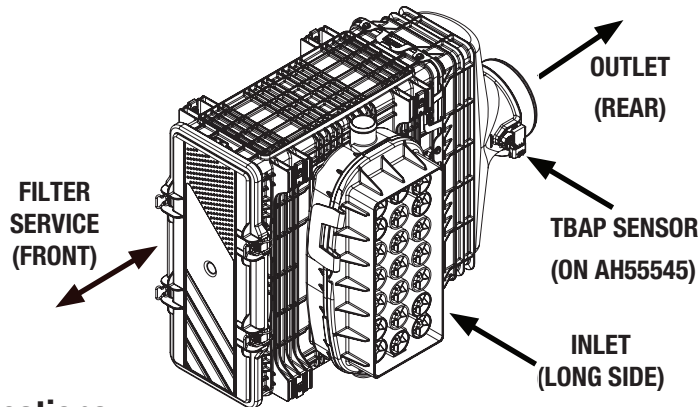
System Capacity vs Flow Rate



Restriction		Flow Rate		Typical Capacity at 25" H ₂ O (6.2 kPa) of Terminal Restriction	
in H ₂ O	kPa	CFM	m³/min	Aspirated (g)	Non Aspirated (g)
4	1.0	289	8.2	15074	11213
6	1.5	359	10.2	17732	9922
8	2.0	417	11.8	18373	8568
10	2.5	469	13.3	17725	7173
12	3.0	515	14.6	16159	5750

ISO Coarse Dust
2.0 g/m³ Feed Rate
25" H₂O (6.2 kPa)
Terminal Restriction
per ISO 5011

DF900 Series



Specifications

Specification	AH55545 • AH55557
Length, Overall	24.8" (632 mm)
Width, Overall	12.9" (330 mm)
Height, Overall	21.6" (549 mm)
Flow, Min. at 2" H ₂ O (0.5 kPa) Restriction	200 CFM (5.7 m ³ /min)
Flow, Max. at 12" H ₂ O (3.0 kPa) Restriction	524 CFM (14.8 m ³ /min)
Secondary Element	Yes
Housing Material	Glass-Filled Polyamide
Pre-Cleaner	Integral, Spinner-tube Type
Inlet	Via Pre-Cleaner
Outlet	Straight, 5.0" (127 mm)
Filter Efficiency	≥ 99.90% per ISO 5011

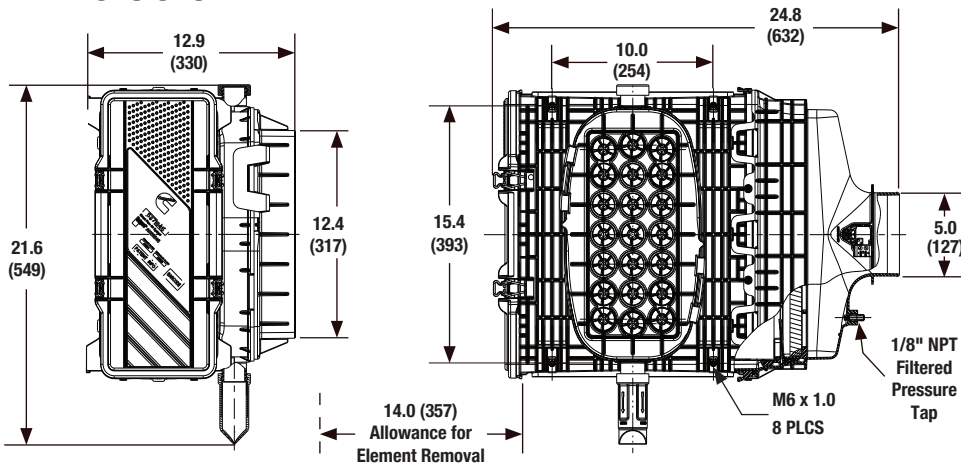
Specifications subject to change without notice.

Dust Holding Capacity per Flow Rate

Specification	Aspirated		Non Aspirated	
	CFM	m ³ /min	CFM	m ³ /min
Maximum Flow for 10 g/CFM (3500 g/m ³ /min)	524*	14.8*	524*	14.8*
Maximum Flow for 25 g/CFM (8750 g/m ³ /min)	524*	14.8*	460	13.0

*Indicates maximum recommended flow rate

Dimensions



All dimensions are in inches (millimeters)

Ordering Information

Air Cleaners	
Part Number	Description
AH55545	Direct Flow - Integrated Pre-Cleaner - Side Inlet - With TBAP Sensor
AH55557	Direct Flow - Integrated Pre-Cleaner - Side Inlet - Without TBAP Sensor

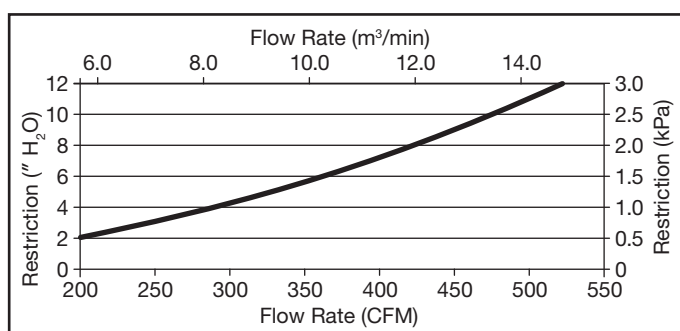
Service Parts	
Part Number	Description
AF55014	Primary Element
AF55308	Secondary Element
SP1004	Service Kit: DEV Tube, DEV Cap, J-Clips (4)
SP1400	Service Cover with O-Ring

Optional Accessories	
Part Number	Description
3316658S	4" Band Clamp
3316660S	5" Band Clamp
3316608S	4" Hump hose
3316610S	5" Hump Hose
3316568S	4" 90° Elbow
3316570S	5" 90° Elbow
3316618S	5" to 4" Hump Hose Reducer
3946329S	Restriction Indicator

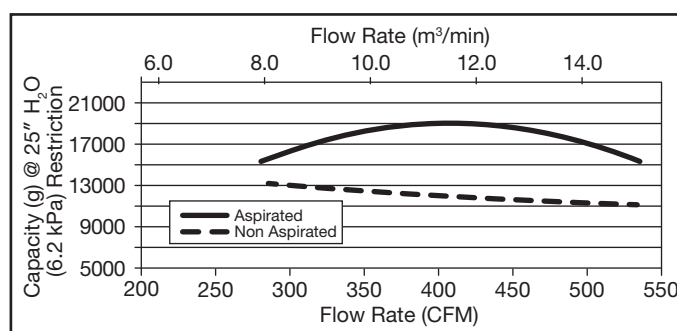
Additional sizes/shapes may be available. Refer to the Cummins Filtration catalog or website.

Performance

System Restriction vs Flow Rate



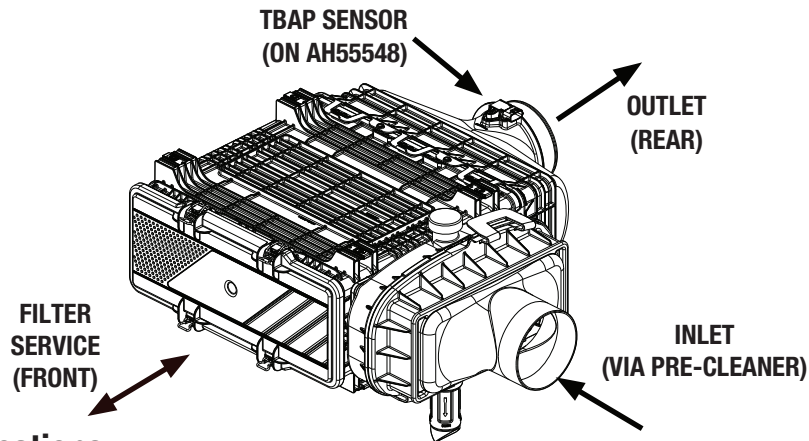
System Capacity vs Flow Rate



Restriction		Flow Rate		Typical Capacity at 25" H ₂ O (6.2 kPa) of Terminal Restriction	
in H ₂ O	kPa	CFM	m³/min	Aspirated (g)	Non Aspirated (g)
4	1.0	291	8.3	16211	13037
6	1.5	363	10.3	18777	12275
8	2.0	423	12.0	18929	11770
10	2.5	476	13.5	17876	11428
12	3.0	524	14.8	15862	11203

ISO Coarse Dust
2.0 g/m³ Feed Rate
25" H₂O (6.2 kPa)
Terminal Restriction
per ISO 5011

DF900 Series



Specifications

Specification	AH55548 • AH55561
Length, Overall	24.9" (633 mm)
Width, Overall	14.8" (377 mm)
Height, Overall	27.0" (686 mm)
Flow, Min. at 2" H ₂ O (0.5 kPa) Restriction	170 CFM (4.8 m ³ /min)
Flow, Max. at 12" H ₂ O (3.0 kPa) Restriction	499 CFM (14.1 m ³ /min)
Secondary Element	Yes
Housing Material	Glass-Filled Polyamide
Pre-Cleaner	Integral, Spinner-tube Type
Inlet	90° to Outlet, 5.0" (127 mm)
Outlet	Straight, 5.0" (127 mm)
Filter Efficiency	≥ 99.90% per ISO 5011

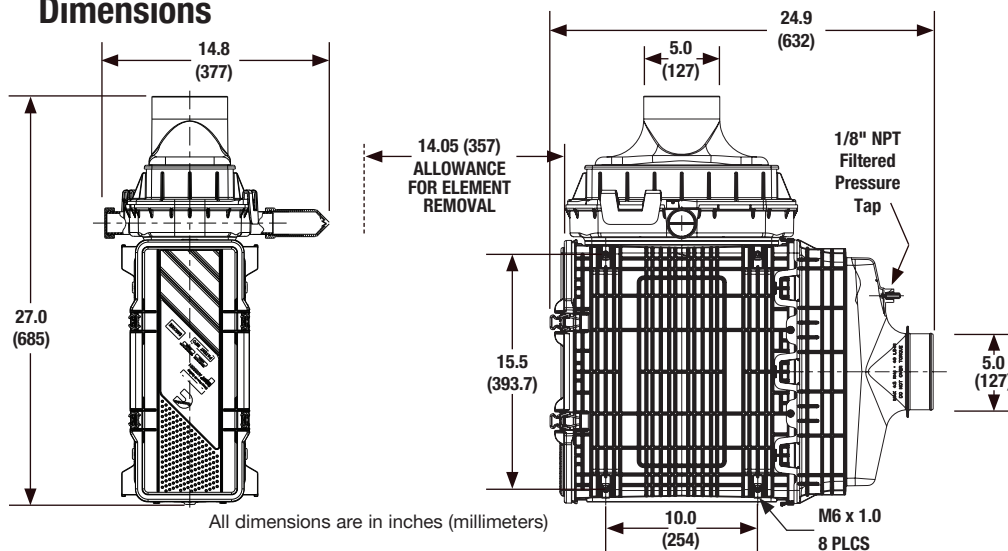
Specifications subject to change without notice.

Dust Holding Capacity per Flow Rate

Specification	Aspirated		Non Aspirated	
	CFM	m ³ /min	CFM	m ³ /min
Maximum Flow for 10 g/CFM (3500 g/m ³ /min)	499*	14.1*	499*	14.1*
Maximum Flow for 25 g/CFM (8750 g/m ³ /min)	499*	14.1*	310	8.8

*Indicates maximum recommended flow rate

Dimensions



Ordering Information

Air Cleaners	
Part Number	Description
AH55548	Direct Flow - Integrated Pre-Cleaner - Side Inlet - With TBAP Sensor
AH55561	Direct Flow - Integrated Pre-Cleaner - Side Inlet - Without TBAP Sensor

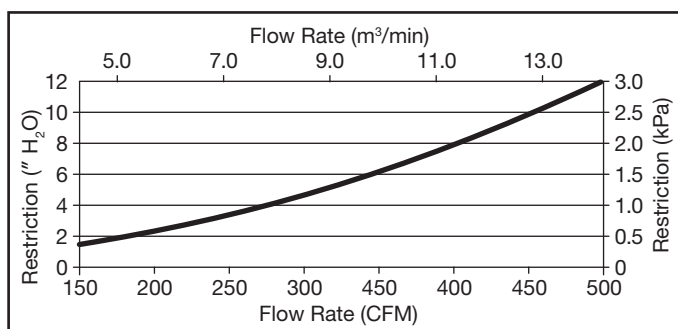
Service Parts	
Part Number	Description
AF55014	Primary Element
AF55308	Secondary Element
SP1004	Service Kit: DEV Tube, DEV Cap, J-Clips (4)
SP1400	Service Cover with O-Ring

Optional Accessories	
Part Number	Description
3316658S	4" Band Clamp
3316660S	5" Band Clamp
3316608S	4" Hump hose
3316610S	5" Hump Hose
3316568S	4" 90° Elbow
3316570S	5" 90° Elbow
3316618S	5" to 4" Hump Hose Reducer
3946329S	Restriction Indicator

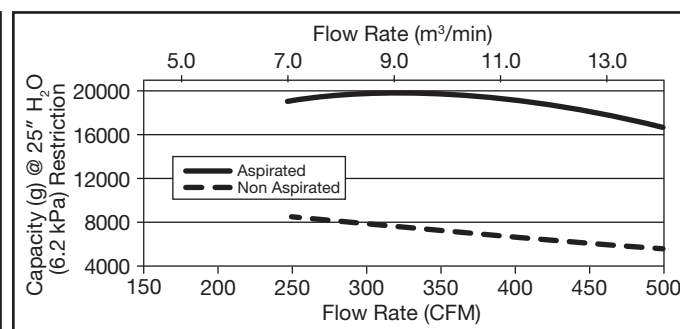
Additional sizes/shapes may be available. Refer to the Cummins Filtration catalog or website.

Performance

System Restriction vs Flow Rate

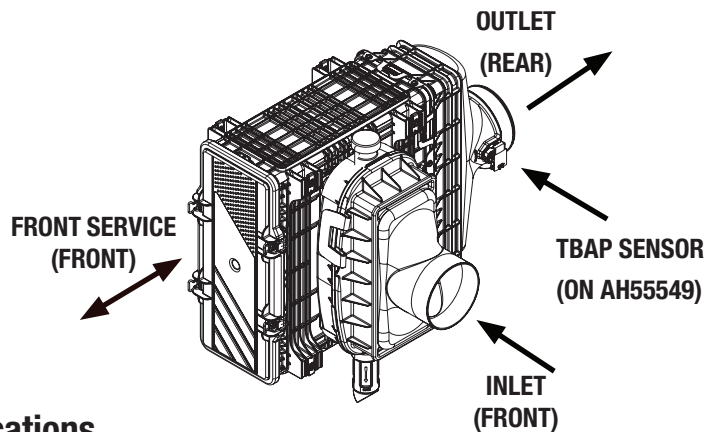


System Capacity vs Flow Rate



Restriction		Flow Rate		Typical Capacity at 25" H ₂ O (6.2 kPa) of Terminal Restriction	
in H ₂ O	kPa	CFM	m³/min	Aspirated (g)	Non Aspirated (g)
4	1.0	277	7.8	19468	8117
6	1.5	345	9.8	19751	7238
8	2.0	403	11.4	19233	6555
10	2.5	453	12.8	18204	5996
12	3.0	499	14.1	16632	5527

ISO Coarse Dust
2.0 g/m³ Feed Rate
25" H₂O (6.2 kPa)
Terminal Restriction
per ISO 5011



Specifications

Specification	AH55549 • AH55558
Length, Overall	24.9" (632 mm)
Width, Overall	17.6" (446 mm)
Height, Overall	21.6" (549 mm)
Flow, Min. at 2" H ₂ O (0.5 kPa) Restriction	170 CFM (4.8 m ³ /min)
Flow, Max. at 12" H ₂ O (3.0 kPa) Restriction	506 CFM (14.3 m ³ /min)
Secondary Element	Yes
Housing Material	Glass-Filled Polyamide
Pre-Cleaner	Yes
Inlet	90° to Outlet, 5.0" (127 mm)
Outlet	Straight, 5.0" (127 mm)
Filter Efficiency	≥ 99.90% per ISO 5011

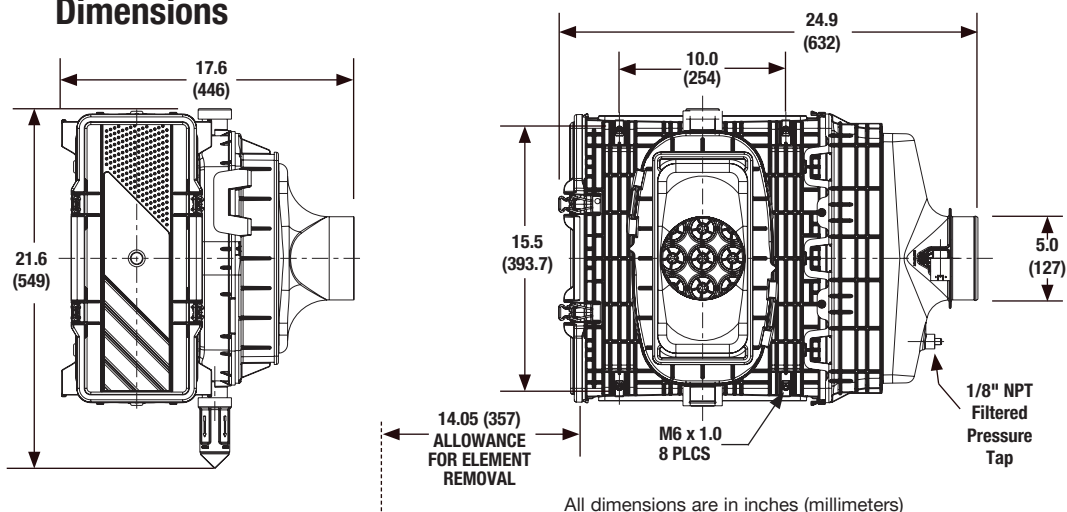
Specifications subject to change without notice.

Dust Holding Capacity per Flow Rate

Specification	Aspirated		Non Aspirated	
	CFM	m ³ /min	CFM	m ³ /min
Maximum Flow for 10 g/CFM (3500 g/m ³ /min)	506*	14.3*	506*	14.3*
Maximum Flow for 25 g/CFM (8750 g/m ³ /min)	506*	14.3*	375	10.6

*Indicates maximum recommended flow rate

Dimensions



All dimensions are in inches (millimeters)

Ordering Information

Air Cleaners	
Part Number	Description
AH55549	Direct Flow - Integrated Pre-Cleaner - Side Inlet - With TBAP Sensor
AH55558	Direct Flow - Integrated Pre-Cleaner - Side Inlet - Without TBAP Sensor

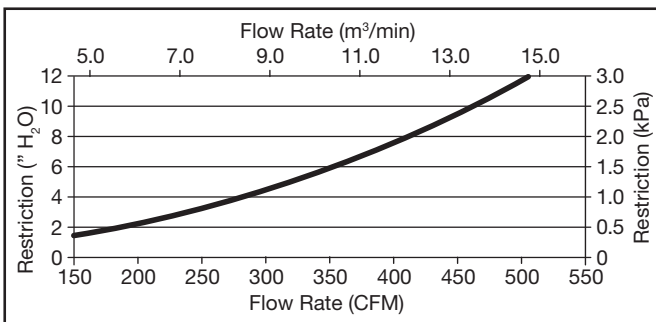
Service Parts	
Part Number	Description
AF55014	Primary Element
AF55308	Secondary Element
SP1004	Service Kit: DEV Tube, DEV Cap, J-Clips (4)
SP1400	Service Cover with O-Ring

Optional Accessories	
Part Number	Description
3316658S	4" Band Clamp
3316660S	5" Band Clamp
3316608S	4" Hump hose
3316610S	5" Hump Hose
3316568S	4" 90° Elbow
3316570S	5" 90° Elbow
3316618S	5" to 4" Hump Hose Reducer
3946329S	Restriction Indicator

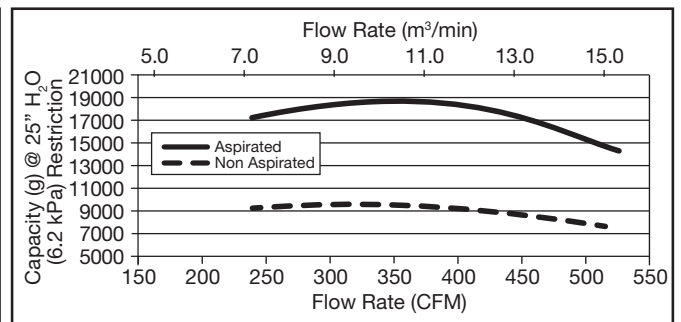
Additional sizes/shapes may be available. Refer to the Cummins Filtration catalog or website.

Performance

System Restriction vs Flow Rate



System Capacity vs Flow Rate



Restriction		Flow Rate		Typical Capacity at 25" H ₂ O (6.2 kPa) of Terminal Restriction	
in H ₂ O	kPa	CFM	m³/min	Aspirated (g)	Non Aspirated (g)
4	1.0	284	8.0	17737	9492
6	1.5	353	10.0	18730	9448
8	2.0	411	11.6	18557	9074
10	2.5	461	13.1	17634	8495
12	3.0	506	14.3	15210	7775

ISO Coarse Dust
2.0 g/m³ Feed Rate
25" H₂O (6.2 kPa)
Terminal Restriction
per ISO 5011