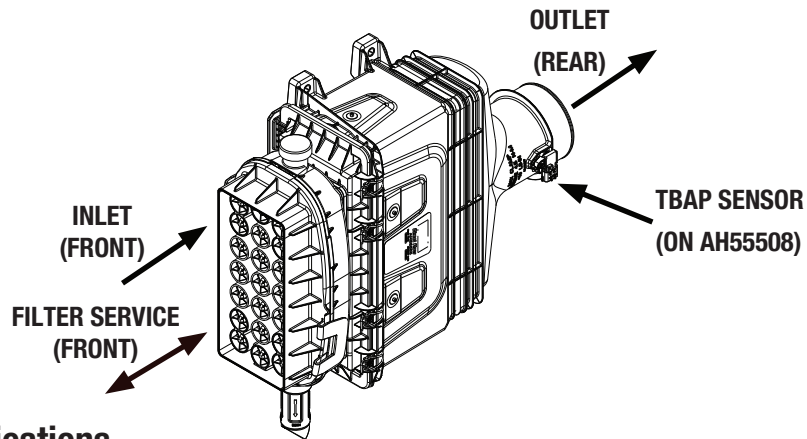


DF600 Series



Specifications

Specification	AH55508 • AH55555
Length, Overall	25.3" (643 mm)
Width, Overall	9.1" (230 mm)
Height, Overall	22.3" (566 mm)
Flow, Min. at 2" H ₂ O (0.5 kPa) Restriction	200 CFM (5.66 m ³ /min)
Flow, Max. at 12" H ₂ O (3.0 kPa) Restriction	556 CFM (15.74 m ³ /min)
Secondary Element	Yes
Housing Material	Glass-Filled Polyamide
Pre-Cleaner	Integral, Spinner-tube Type
Inlet	Via Pre-Cleaner
Outlet	Straight, 5.0" (127 mm)
Filter Efficiency	≥ 99.90% per ISO 5011

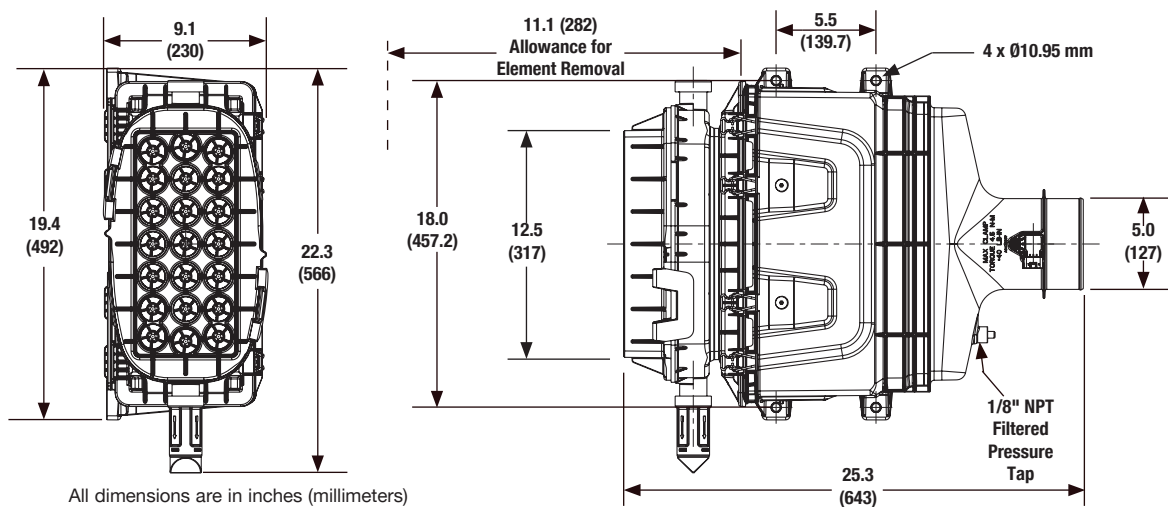
Specifications subject to change without notice.

Dust Holding Capacity per Flow Rate

Specification	Aspirated		Non Aspirated	
	CFM	m ³ /min	CFM	m ³ /min
Maximum Flow for 10 g/CFM (3500 g/m ³ /min)	556*	15.7*	556*	15.7*
Maximum Flow for 25 g/CFM (8750 g/m ³ /min)	490	13.9	340	9.6

*Indicates maximum recommended flow rate

Dimensions



All dimensions are in inches (millimeters)

Ordering Information

Air Cleaners	
Part Number	Description
AH55508	Direct Flow - Integrated Pre-Cleaner - Front Inlet - With TBAP Sensor
AH55555	Direct Flow - Integrated Pre-Cleaner - Front Inlet - Without TBAP Sensor

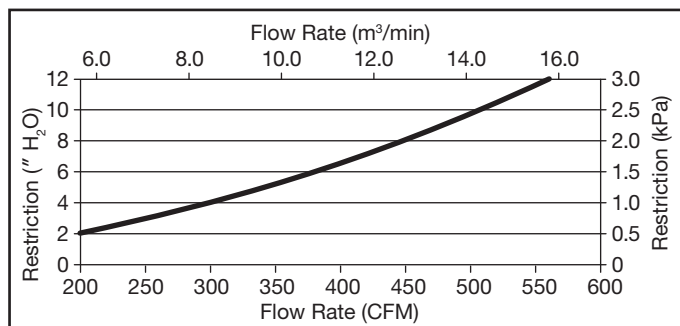
Service Parts	
Part Number	Description
AF55005	Primary Element
AF55308	Secondary Element
SP1048	Dust Ejection Valve (DEV)
SP1004	Service Kit: DEV Tube, DEV Cap, -Clips (4)
SP1399	Service Cover with Latches

Optional Accessories	
Part Number	Description
3316658S	4" Band Clamp
3316660S	5" Band Clamp
3316608S	4" Hump Hose
3316610S	5" Hump Hose
3316568S	4" 90° Elbow
3316570S	5" 90° Elbow
3316618S	5" to 4" Hump Hose Reducer
3946329S	Restriction Indicator

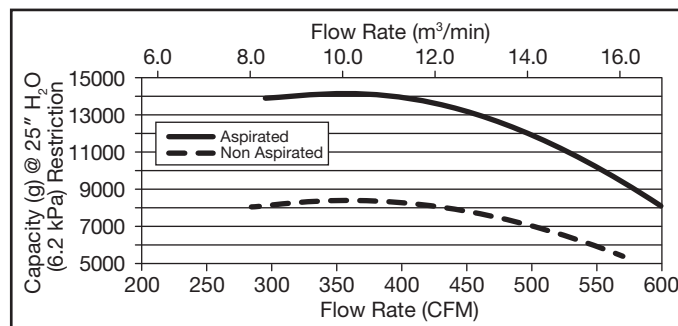
Additional sizes/shapes may be available. Refer to the Cummins Filtration catalog or website.

Performance

System Restriction vs Flow Rate



System Capacity vs Flow Rate



Restriction		Flow Rate		Typical Capacity at 25" H ₂ O (6.2 kPa) of Terminal Restriction	
in H ₂ O	kPa	CFM	m³/min	Aspirated (g)	Non Aspirated (g)
4	1.0	303	8.6	13872	8221
6	1.5	381	10.8	14088	8351
8	2.0	446	12.6	13392	7863
10	2.5	504	14.3	12118	6982
12	3.0	556	15.7	10433	5823

ISO Coarse Dust
2.0 g/m³ Feed Rate
25" H₂O (6.2 kPa)
Terminal Restriction
per ISO 5011

Ordering Information

Air Cleaners	
Part Number	Description
AH55542	Direct Flow - Side Inlet - With TBAP Sensor
AH55559	Direct Flow - Side Inlet - Without TBAP Sensor

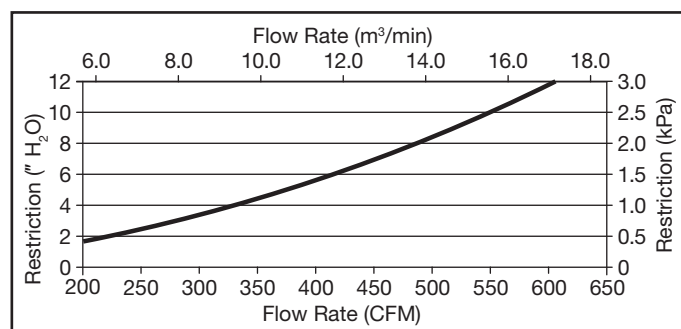
Service Parts	
Part Number	Description
AF55014	Primary Element
AF55308	Secondary Element
SP1004	Service Kit: DEV Tube, DEV Cap, J-Clips (4)
SP1400	Service Cover with O-Ring

Optional Accessories	
Part Number	Description
3316658S	4" Band Clamp
3316660S	5" Band Clamp
3316608S	4" Hump hose
3316610S	5" Hump Hose
3316568S	4" 90° Elbow
3316570S	5" 90° Elbow
3316618S	5" to 4" Hump Hose Reducer
3946329S	Restriction Indicator

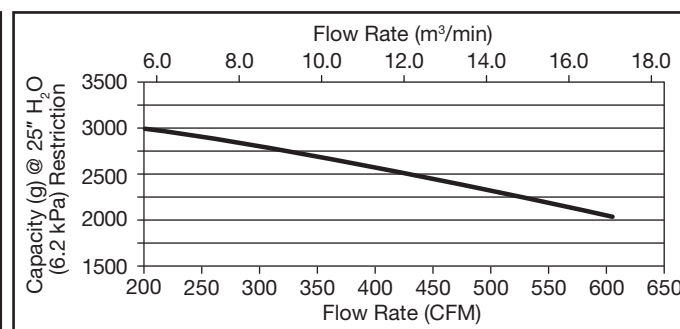
Additional sizes/shapes may be available.
Refer to the Cummins Filtration catalog or website.

Performance

System Restriction vs Flow Rate



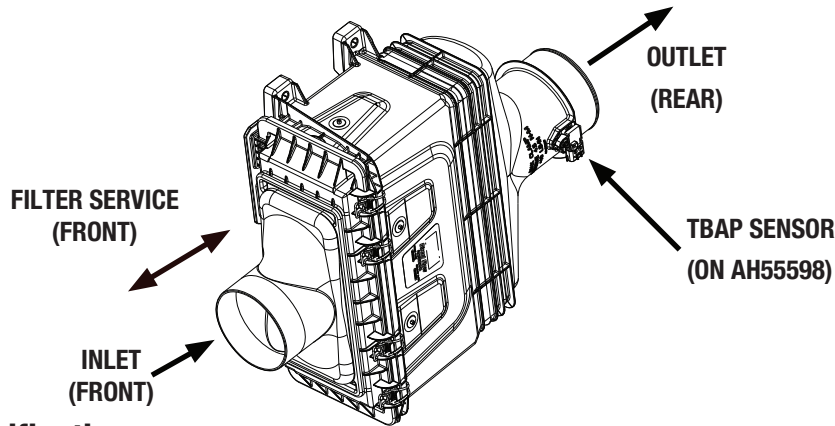
System Capacity vs Flow Rate



Restriction		Flow Rate		Typical Capacity at 25" H ₂ O (6.2 kPa) of Terminal Restriction Non Aspirated (g)
in H ₂ O	kPa	CFM	m³/min	
4	1.0	332	9.4	2728
6	1.5	416	11.8	2536
8	2.0	487	13.8	2359
10	2.5	549	15.6	2192
12	3.0	606	17.2	2033

ISO Fine Dust
1.0 g/m³ Feed Rate
25" H₂O (6.2 kPa)
Terminal Restriction
per ISO 5011

DF600 Series



Specifications

Specification	AH55598 • AH55602
Length, Overall	24.9" (633 mm)
Width, Overall	8.9" (225.5 mm)
Height, Overall	19.4" (492 mm)
Flow, Min. at 2" H ₂ O (0.5 kPa) Restriction	220 CFM (6.2 m ³ /min)
Flow, Max. at 12" H ₂ O (3.0 kPa) Restriction	645 CFM (18.2 m ³ /min)
Secondary Element	Yes
Housing Material	Glass-Filled Polyamide
Pre-Cleaner	No
Inlet	Straight, 5.0" (127 mm)
Outlet	Straight, 5.0" (127 mm)
Filter Efficiency	≥ 99.90% per ISO 5011

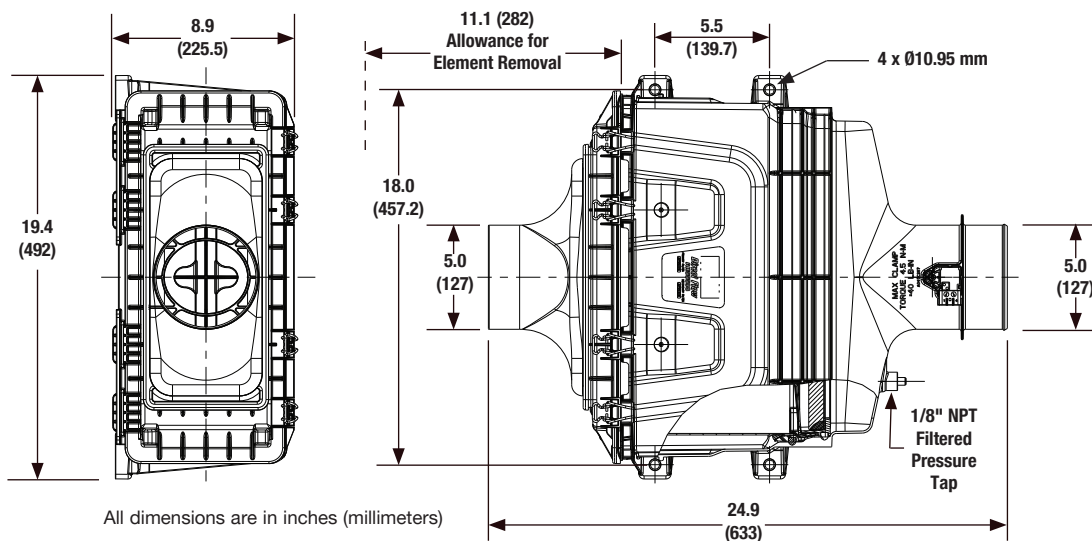
Specifications subject to change without notice.

Dust Holding Capacity per Flow Rate

Specification	Non Aspirated	
	CFM	m ³ /min
Maximum Flow for 10 g/CFM (3500 g/m ³ /min)	210	6.0
Maximum Flow for 25 g/CFM (8750 g/m ³ /min)	N/A*	N/A*

*Requires precleaner (optional)

Dimensions



All dimensions are in inches (millimeters)

Ordering Information

Air Cleaners	
Part Number	Description
AH55598	Direct Flow - Front Inlet - With TBAP Sensor
AH55602	Direct Flow - Front Inlet - Without TBAP Sensor

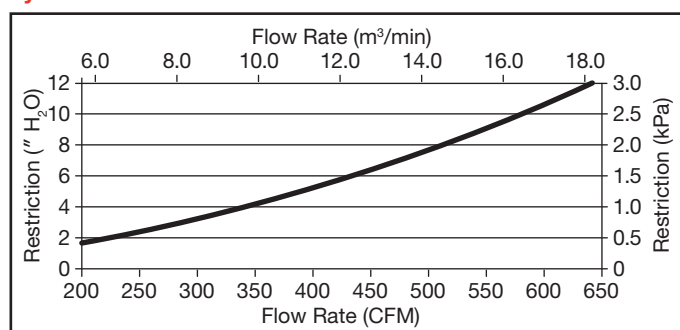
Service Parts	
Part Number	Description
AF55005	Primary Element
AF55308	Secondary Element
SP1004	Service Kit: DEV Tube, DEV Cap, -Clips (4)
SP1398	Service Cover with Latches

Optional Accessories	
Part Number	Description
3316658S	4" Band Clamp
3316660S	5" Band Clamp
3316608S	4" Hump Hose
3316610S	5" Hump Hose
3316568S	4" 90° Elbow
3316570S	5" 90° Elbow
3316618S	5" to 4" Hump Hose Reducer
3946329S	Restriction Indicator

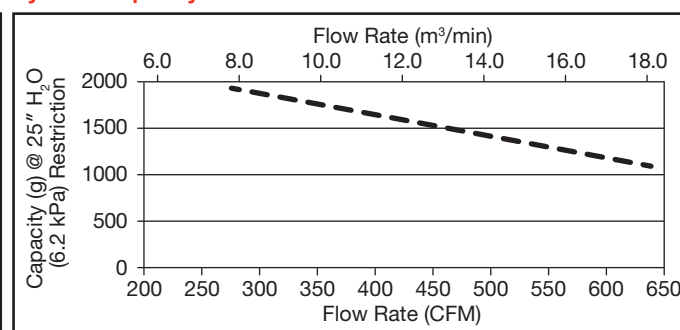
Additional sizes/shapes may be available.
Refer to the Cummins Filtration catalog or website.

Performance

System Restriction vs Flow Rate



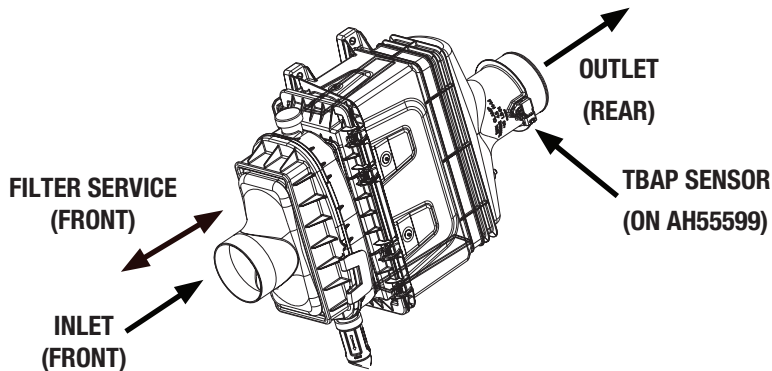
System Capacity vs Flow Rate



Restriction		Flow Rate		Typical Capacity at 25" H ₂ O (6.2 kPa) of Terminal Restriction
in H ₂ O	kPa	CFM	m³/min	Non Aspirated (g)
4	1.0	325	9.2	1823
6	1.5	420	11.9	1602
8	2.0	515	14.6	1374
10	2.5	580	16.4	1214
12	3.0	645	18.3	1050

ISO Fine Dust
1.0 g/m³ Feed Rate
25" H₂O (6.2 kPa)
Terminal Restriction
per ISO 5011

DF600 Series



Specifications

Specification	AH55599 • AH55603
Length, Overall	29.9" (759 mm)
Width, Overall	9.1" (230 mm)
Height, Overall	22.3" (566 mm)
Flow, Min. at 2" H ₂ O (0.5 kPa) Restriction	180 CFM (5.1 m ³ /min)
Flow, Max. at 12" H ₂ O (3.0 kPa) Restriction	512 CFM (14.5 m ³ /min)
Secondary Element	Yes
Housing Material	Glass-Filled Polyamide
Pre-Cleaner	Integral, Spinner-tube Type
Inlet	Straight, 5.0" (127 mm)
Outlet	Straight, 5.0" (127 mm)
Filter Efficiency	≥ 99.90% per ISO 5011

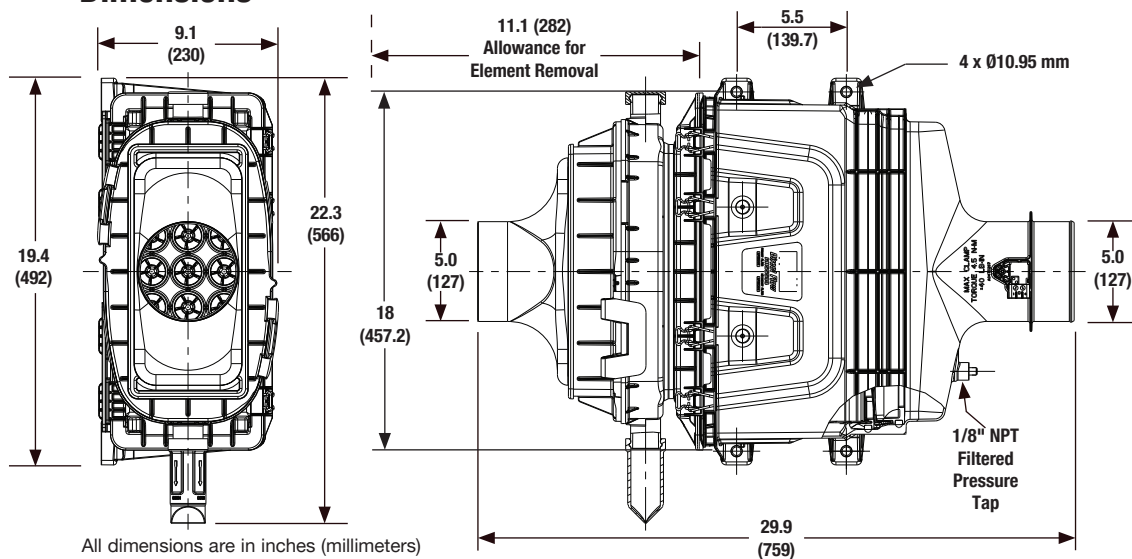
Specifications subject to change without notice.

Dust Holding Capacity per Flow Rate

Specification	Aspirated		Non Aspirated	
	CFM	m ³ /min	CFM	m ³ /min
Maximum Flow for 10 g/CFM (3500 g/m ³ /min)	512*	14.5*	480	13.6
Maximum Flow for 25 g/CFM (8750 g/m ³ /min)	475	13.5	250	7.1

*Indicates maximum recommended flow rate

Dimensions



All dimensions are in inches (millimeters)

Ordering Information

Air Cleaners	
Part Number	Description
AH55599	Direct Flow - Integrated Pre-Cleaner - Front Inlet - With TBAP Sensor
AH55603	Direct Flow - Integrated Pre-Cleaner - Front Inlet - Without TBAP Sensor

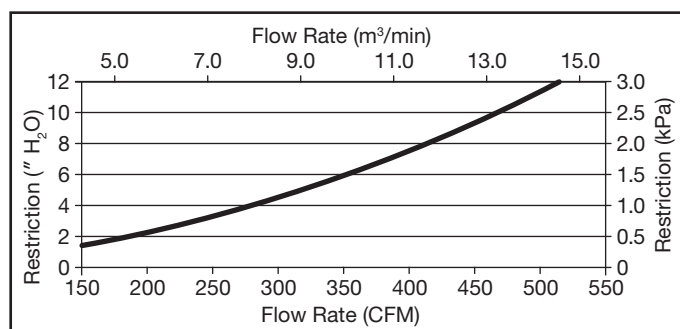
Service Parts	
Part Number	Description
AF55005	Primary Element
AF55308	Secondary Element
SP1048	Dust Ejection Valve (DEV)
SP1004	Service Kit: DEV Tube, DEV Cap, -Clips (4)
SP1399	Service Cover with Latches

Optional Accessories	
Part Number	Description
3316658S	4" Band Clamp
3316660S	5" Band Clamp
3316608S	4" Hump Hose
3316610S	5" Hump Hose
3316568S	4" 90° Elbow
3316570S	5" 90° Elbow
3316618S	5" to 4" Hump Hose Reducer
3946329S	Restriction Indicator

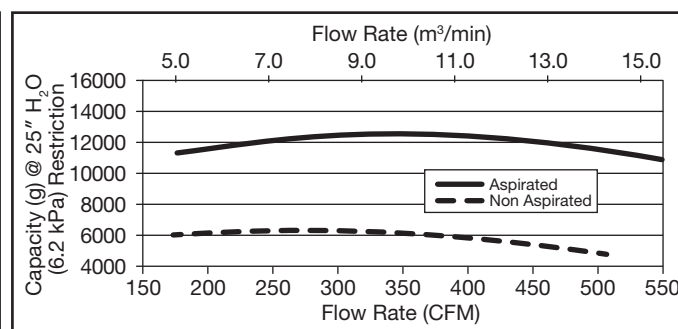
Additional sizes/shapes may be available. Refer to the Cummins Filtration catalog or website.

Performance

System Restriction vs Flow Rate



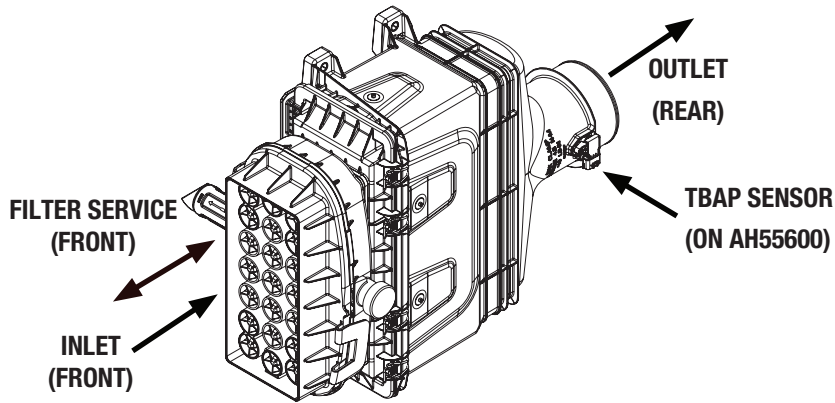
System Capacity vs Flow Rate



Restriction		Flow Rate		Typical Capacity at 25" H ₂ O (6.2 kPa) of Terminal Restriction	
in H ₂ O	kPa	CFM	m³/min	Aspirated (g)	Non Aspirated (g)
4	1.0	277	7.8	12262	6255
6	1.5	343	9.7	12503	6117
8	2.0	409	11.6	12385	5740
10	2.5	465	13.2	12004	5233
12	3.0	512	14.5	11484	4674

ISO Coarse Dust
2.0 g/m³ Feed Rate
25" H₂O (6.2 kPa)
Terminal Restriction
per ISO 5011

DF600 Series



Specifications

Specification	AH55600 • AH55604
Length, Overall	25.3" (643 mm)
Width, Overall	14.8" (377 mm)
Height, Overall	19.4" (492 mm)
Flow, Min. at 2" H ₂ O (0.5 kPa) Restriction	200 CFM (5.7 m ³ /min)
Flow, Max. at 12" H ₂ O (3.0 kPa) Restriction	560 CFM (15.8 m ³ /min)
Secondary Element	Yes
Housing Material	Glass-Filled Polyamide
Pre-Cleaner	Integral, Spinner-tube Type
Inlet	Via Pre-Cleaner
Outlet	Straight, 5.0" (127 mm)
Filter Efficiency	≥ 99.90% per ISO 5011

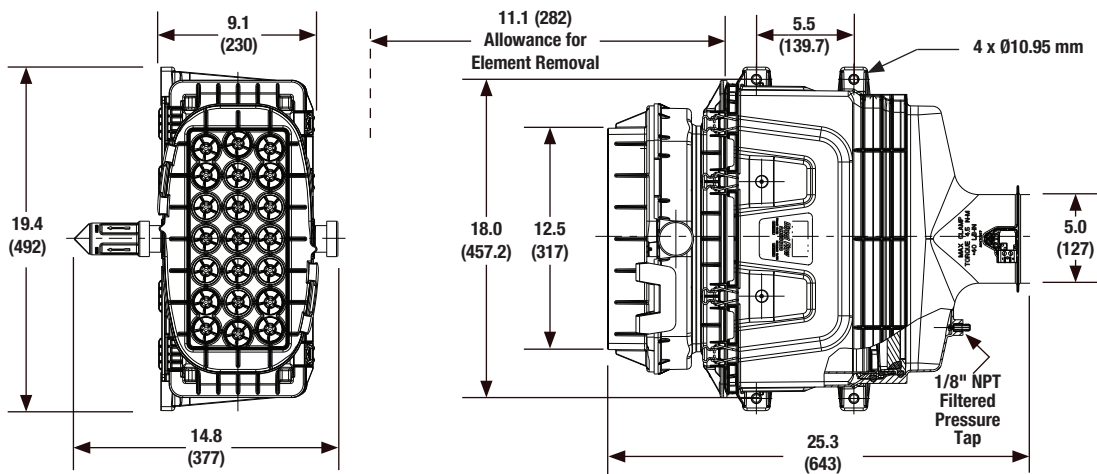
Specifications subject to change without notice.

Dust Holding Capacity per Flow Rate

Specification	Aspirated		Non Aspirated	
	CFM	m ³ /min	CFM	m ³ /min
Maximum Flow for 10 g/CFM (3500 g/m ³ /min)	560*	15.9*	560*	15.9*
Maximum Flow for 25 g/CFM (8750 g/m ³ /min)	510	14.4	260	7.4

*Indicates maximum recommended flow rate

Dimensions



All dimensions are in inches (millimeters)

Ordering Information

Air Cleaners	
Part Number	Description
AH55600	Direct Flow - Integrated Pre-Cleaner - Front Inlet - With TBAP Sensor
AH55604	Direct Flow - Integrated Pre-Cleaner - Front Inlet - Without TBAP Sensor

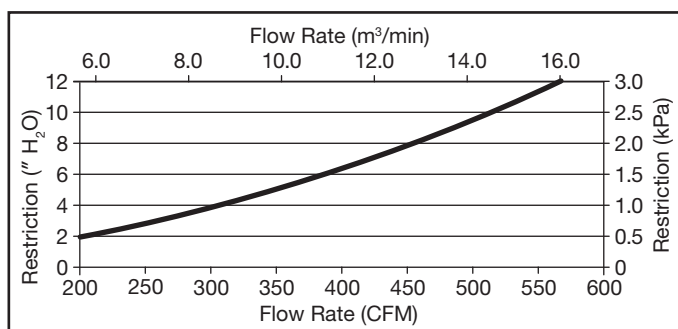
Service Parts	
Part Number	Description
AF55005	Primary Element
AF55308	Secondary Element
SP1048	Dust Ejection Valve (DEV)
SP1004	Service Kit: DEV Tube, DEV Cap, -Clips (4)
SP1397	Service Cover with Latches

Optional Accessories	
Part Number	Description
3316658S	4" Band Clamp
3316660S	5" Band Clamp
3316608S	4" Hump Hose
3316610S	5" Hump Hose
3316568S	4" 90° Elbow
3316570S	5" 90° Elbow
3316618S	5" to 4" Hump Hose Reducer
3946329S	Restriction Indicator

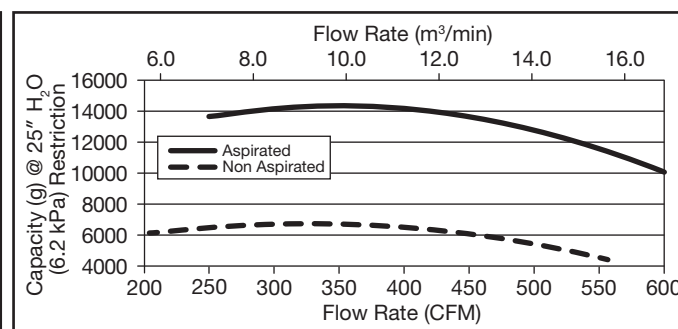
Additional sizes/shapes may be available.
Refer to the Cummins Filtration catalog or website.

Performance

System Restriction vs Flow Rate



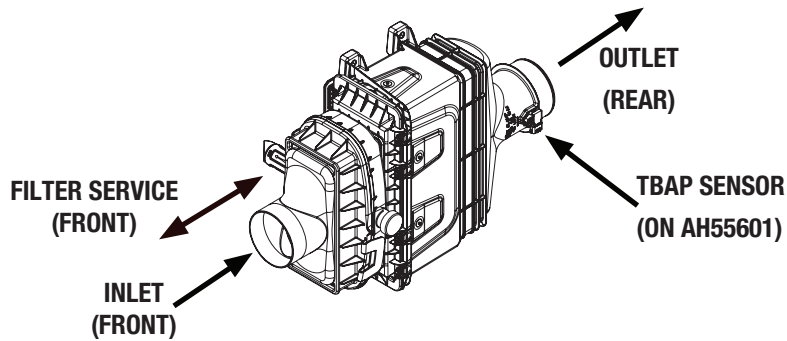
System Capacity vs Flow Rate



Restriction		Flow Rate		Typical Capacity at 25" H ₂ O (6.2 kPa) of Terminal Restriction	
in H ₂ O	kPa	CFM	m³/min	Aspirated (g)	Non Aspirated (g)
4	1.0	305	8.6	14179	6731
6	1.5	380	10.8	14312	6614
8	2.0	455	12.9	13705	6012
10	2.5	508	14.4	12747	5302
12	3.0	560	15.9	11305	4355

ISO Coarse Dust
2.0 g/m³ Feed Rate
25" H₂O (6.2 kPa)
Terminal Restriction
per ISO 5011

DF600 Series



Specifications

Specification	AH55601 • AH55605
Length, Overall	29.9" (759 mm)
Width, Overall	14.8" (377 mm)
Height, Overall	19.4" (493 mm)
Flow, Min. at 2" H ₂ O (0.5 kPa) Restriction	180 CFM (5.1 m ³ /min)
Flow, Max. at 12" H ₂ O (3.0 kPa) Restriction	520 CFM (14.7 m ³ /min)
Secondary Element	Yes
Housing Material	Glass-Filled Polyamide
Pre-Cleaner	Integral, Spinner-tube Type
Inlet	Straight, 5" (127 mm)
Outlet	Straight, 5" (127 mm)
Filter Efficiency	≥ 99.90% per ISO 5011

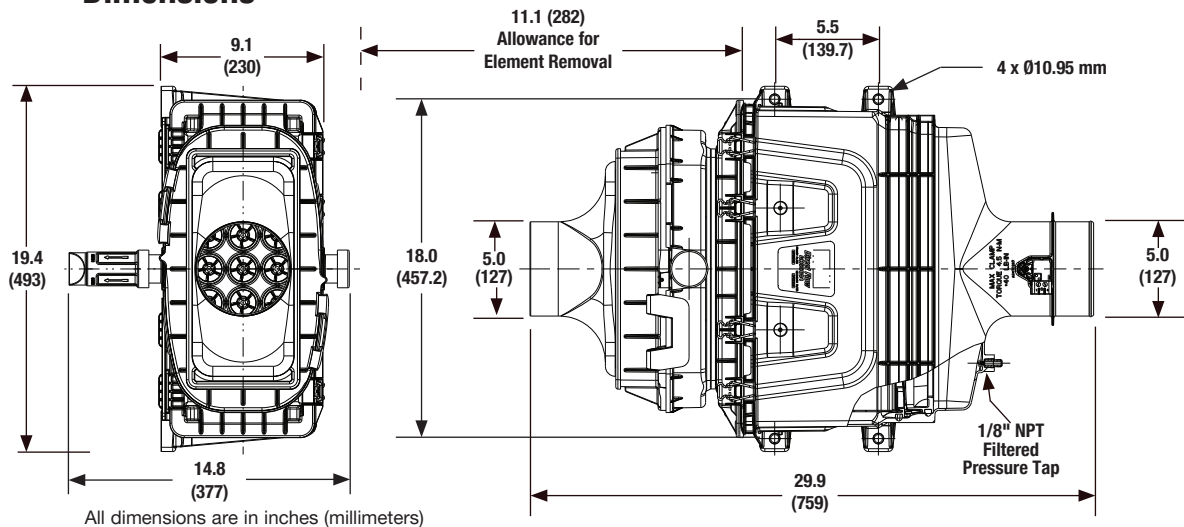
Specifications subject to change without notice.

Dust Holding Capacity per Flow Rate

Specification	Aspirated		Non Aspirated	
	CFM	m ³ /min	CFM	m ³ /min
Maximum Flow for 10 g/CFM (3500 g/m ³ /min)	520*	14.7*	420	11.9
Maximum Flow for 25 g/CFM (8750 g/m ³ /min)	430	12.2	200	5.7

*Indicates maximum recommended flow rate

Dimensions



All dimensions are in inches (millimeters)

Ordering Information

Air Cleaners	
Part Number	Description
AH55601	Direct Flow - Integrated Pre-Cleaner - Front Inlet - With TBAP Sensor
AH55605	Direct Flow - Integrated Pre-Cleaner - Front Inlet - Without TBAP Sensor

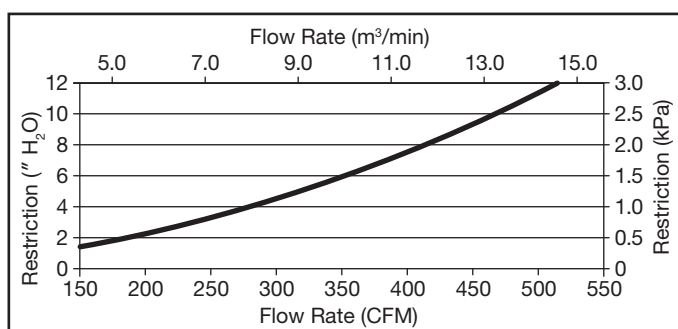
Service Parts	
Part Number	Description
AF55005	Primary Element
AF55308	Secondary Element
SP1048	Dust Ejection Valve (DEV)
SP1004	Service Kit: DEV Tube, DEV Cap, -Clips (4)
SP1397	Service Cover with Latches

Optional Accessories	
Part Number	Description
3316658S	4" Band Clamp
3316660S	5" Band Clamp
3316608S	4" Hump Hose
3316610S	5" Hump Hose
3316568S	4" 90° Elbow
3316570S	5" 90° Elbow
3316618S	5" to 4" Hump Hose Reducer
3946329S	Restriction Indicator

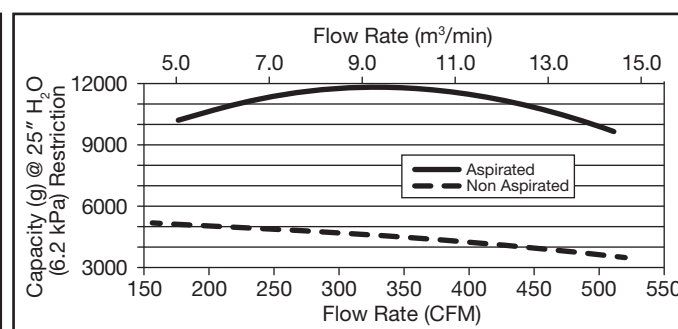
Additional sizes/shapes may be available. Refer to the Cummins Filtration catalog or website.

Performance

System Restriction vs Flow Rate



System Capacity vs Flow Rate



Restriction		Flow Rate		Typical Capacity at 25" H ₂ O (6.2 kPa) of Terminal Restriction	
in H ₂ O	kPa	CFM	m³/min	Aspirated (g)	Non Aspirated (g)
4	1.0	285	8.1	11571	4748
6	1.5	350	9.9	11749	4461
8	2.0	415	11.8	11366	4121
10	2.5	468	13.2	10687	3808
12	3.0	520	14.7	9680	3462

ISO Coarse Dust
2.0 g/m³ Feed Rate
25" H₂O (6.2 kPa)
Terminal Restriction
per ISO 5011