

## Specifications

Specification	AH55576 - AH55674
Length, Overall	21.6" (548.3 mm)
Width, Overall	17.4" (441.2 mm)
Height, Overall	18.4" (466.5 mm)
Flow, Min. at 2" H <sub>2</sub> O (0.5 kPa) Restriction	425 CFM (12.0 m <sup>3</sup> /min)
Flow, Max. at 12" H <sub>2</sub> O (3.0 kPa) Restriction	1190 CFM (33.7 m <sup>3</sup> /min)
Secondary Element	Yes
Housing Material	Glass-Filled Polyamide / Metal
Pre-Cleaner	No
Inlet	Straight 7.0" (177.8 mm)
Outlet	Straight 7.1" (179.4 mm)
Filter Efficiency	≥ 99.90% per ISO 5011

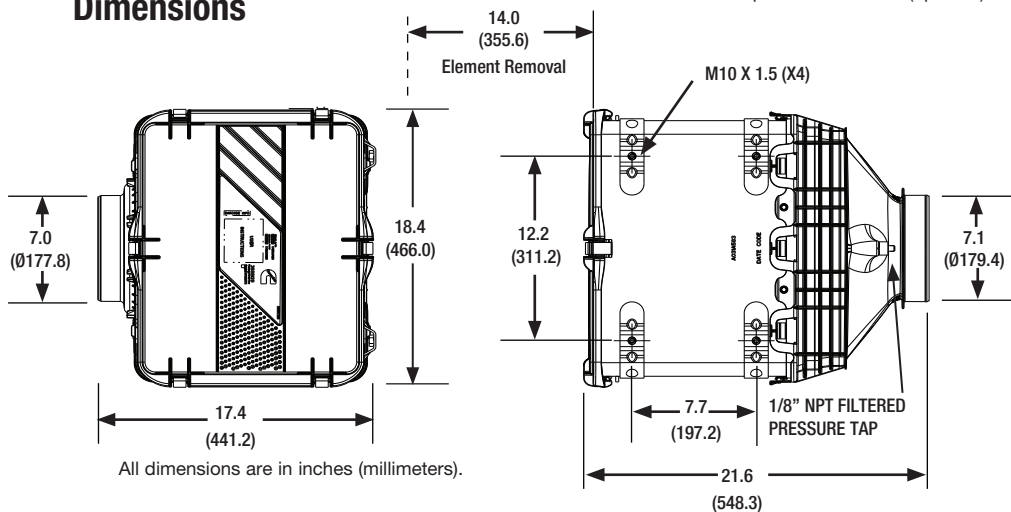
Specifications subject to change without notice.

## Dust Holding Capacity per Flow Rate

Specification	Non Aspirated	
	CFM	m <sup>3</sup> /min
Maximum Flow for 10 g/CFM (3500 g/m <sup>3</sup> /min)	600	16.8
Maximum Flow for 25 g/CFM (8750 g/m <sup>3</sup> /min)	N/A*	N/A*

\* Requires Pre-Cleaner (optional) .

## Dimensions



## Ordering Information

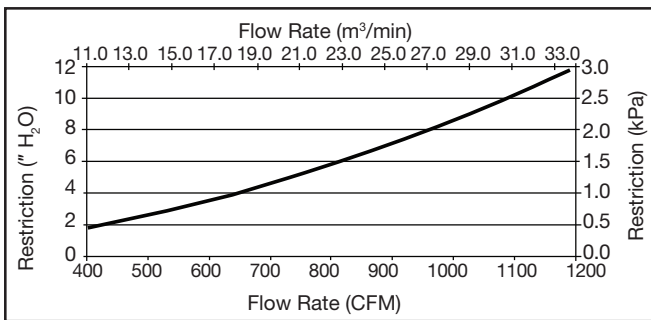
Air Cleaners		Service Parts		Optional Accessories	
Part Number	Description	Part Number	Description	Part Number	Description
AH55576	Direct Flow - Long Side Inlet - With TBAP Sensor	AF55014	Primary Element (2 REQ)	3316663S	7" Band Clamp
		AF55308	Secondary Element (2 REQ)	3316613S	7" Hump Hose
AH55674	Direct Flow - Long Side Inlet - Without TBAP Sensor	SP1013	Service Cover	3316586S	7" 45° Elbow
		SP1187	Service Cover Latches	3316576S	7" 90° Elbow
		SP1048	Dust Ejection Valve (DEV)	3316624S	7" to 6" Hump Hose Reducer
				3316593S	7" to 5.5" 90° Reducing Elbow
				3316591S	7" to 5" 90° Reducing Elbow
				3946329S	Restriction Indicator

TBAP -Temperature and Barometric Air Pressure

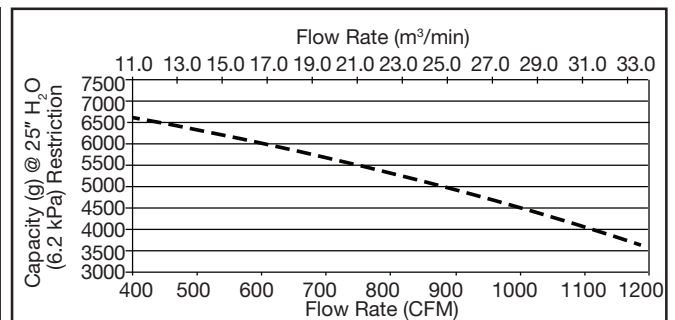
Additional sizes/shapes may be available. Refer to the Cummins Filtration catalog or website.

## Performance

### System Restriction vs Flow Rate



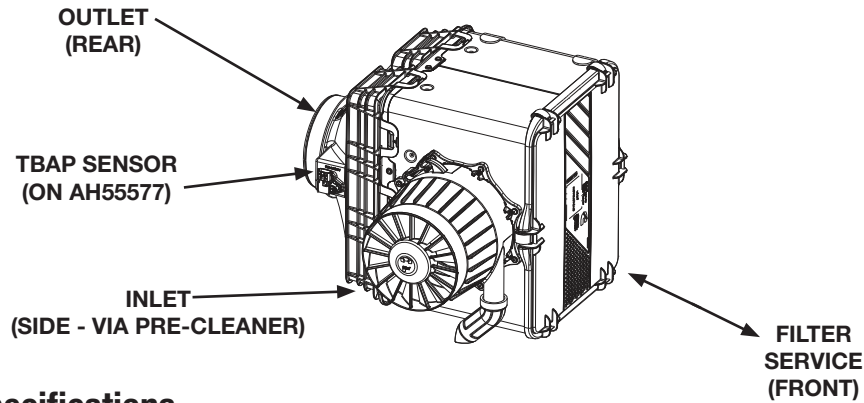
### System Capacity vs Flow Rate



Restriction		Flow Rate		Typical Capacity at 25" H <sub>2</sub> O (6.2 kPa) of Terminal Restriction
in H <sub>2</sub> O	kPa	CFM	m³/min	Non Aspirated (g)
4	1.0	640	18.1	5900
6	1.5	820	23.2	5300
8	2.0	950	26.9	4750
10	2.5	1080	30.6	4200
12	3.0	1190	33.7	3600

ISO Fine Dust  
1.0 g/m<sup>3</sup> Feed Rate  
25" H<sub>2</sub>O (6.2 kPa)  
Terminal Restriction  
per ISO 5011





## Specifications

Specification	AH55577 - AH55675
Length, Overall	21.6" (548.3 mm)
Width, Overall	23.1" (588.2 mm)
Height, Overall	18.3" (466.5 mm)
Flow, Min. at 2" H <sub>2</sub> O (0.5 kPa) Restriction	325 CFM (9.2 m <sup>3</sup> /min)
Flow, Max. at 12" H <sub>2</sub> O (3.0 kPa) Restriction	950 CFM (26.9 m <sup>3</sup> /min)
Secondary Element	Yes
Housing Material	Glass-Filled Polyamide
Pre-Cleaner	Integral Radial Fin Type
Inlet	Via Pre-Cleaner, 8.0" (203.0 mm)
Outlet	Straight, 7.0" (177.8 mm)
Filter Efficiency	≥ 99.90% per ISO 5011

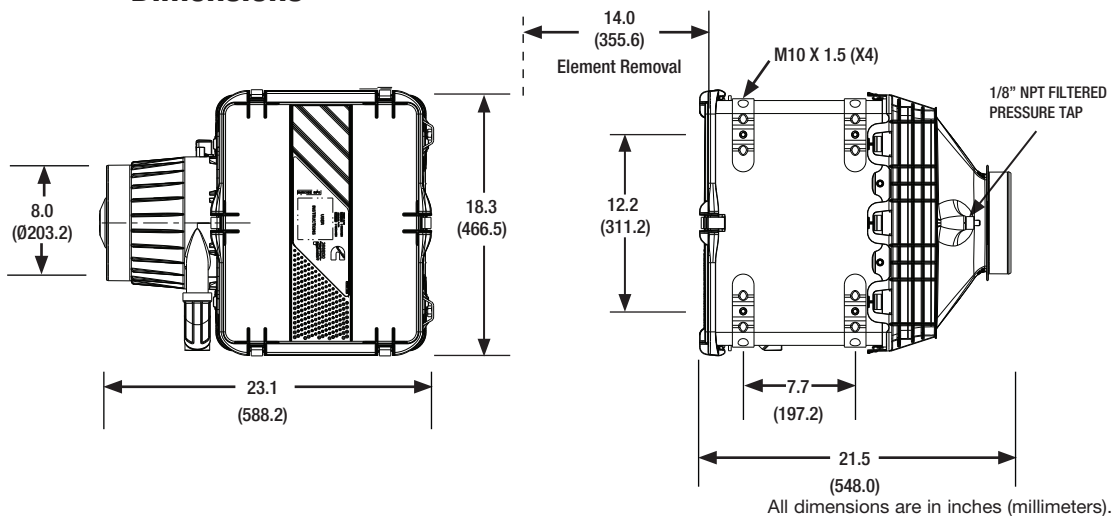
Specifications subject to change without notice.

## Dust Holding Capacity per Flow Rate

Specification	Aspirated		Non Aspirated	
	CFM	m <sup>3</sup> /min	CFM	m <sup>3</sup> /min
Maximum Flow for 10 g/CFM (3500 g/m <sup>3</sup> /min)	950*	26.9*	950*	26.9*
Maximum Flow for 25 g/CFM (8750 g/m <sup>3</sup> /min)	870	24.6	810	22.9

\*indicates maximum recommended flow rate.

## Dimensions



## Ordering Information

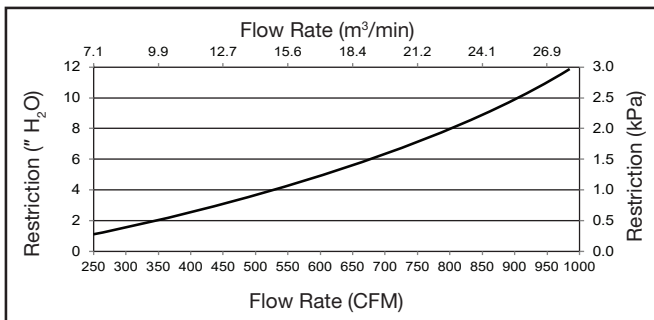
Air Cleaners		Service Parts		Optional Accessories	
Part Number	Description	Part Number	Description	Part Number	Description
AH55577	Direct Flow	AF55014	Primary Element (2 REQ)	3316663S	7" Band Clamp
	- Integrated Pre-Cleaner	AF55308	Secondary Element (2 REQ)	3316613S	7" Hump Hose
AH55675	- Long Side Inlet	SP1013	Service Cover	3316586S	7" 45° Elbow
	- With TBAP Sensor	SP1014	Pre-Cleaner With DEV	3316576S	7" 90° Elbow
	Direct Flow	SP1048	Dust Ejection Valve (DEV)	3316624S	7" to 6" Hump Hose Reducer
	- Integrated Pre-Cleaner	SP1187	Service Cover Latches	3316593S	7" to 5.5" 90° Reducing Elbow
	- Long Side Inlet			3316591S	7" to 5" 90° Reducing Elbow
- Without TBAP Sensor			3946329S	Restriction Indicator	

TBAP - Temperature and Barometric Air Pressure

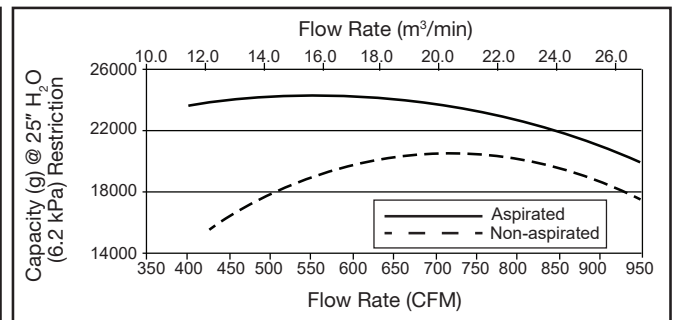
Additional sizes/shapes may be available. Refer to the Cummins Filtration catalog or website.

## Performance

### System Restriction vs Flow Rate

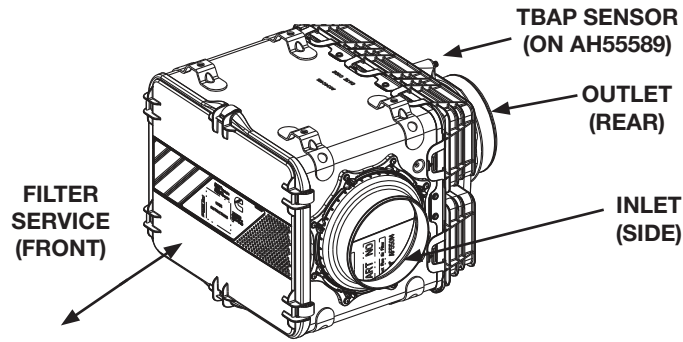


### System Capacity vs Flow Rate



Restriction		Flow Rate		Typical Capacity at 25" H <sub>2</sub> O (6.2 kPa) of Terminal Restriction	
in H <sub>2</sub> O	kPa	CFM	m³/min	Aspirated (g)	Non Aspirated (g)
4	1.0	525	14.9	24100	18300
6	1.5	655	18.6	24000	20100
8	2.0	770	21.8	23000	20400
10	2.5	860	24.4	21800	19500
12	3.0	950	26.9	19800	17500

ISO Coarse Dust  
2.0 g/m<sup>3</sup> Feed Rate  
25" H<sub>2</sub>O (6.2 kPa)  
Terminal Restriction  
per ISO 5011



## Specifications

Specification	AH55589 - AH55673
Length, Overall	21.6" (548.3 mm)
Width, Overall	15.6" (397.0 mm)
Height, Overall	20.3" (516.4 mm)
Flow, Min. at 2" H <sub>2</sub> O (0.5 kPa) Restriction	450.0 CFM (12.7 m <sup>3</sup> /min)
Flow, Max. at 12" H <sub>2</sub> O (3.0 kPa) Restriction	1225 CFM (34.7 m <sup>3</sup> /min)
Secondary Element	Yes
Housing Material	Glass-Filled Polyamide
Pre-Cleaner	No
Inlet	Straight 7.0" (177.8 mm)
Outlet	Straight 7.0" (177.8 mm)
Filter Efficiency	≥ 99.90% per ISO 5011

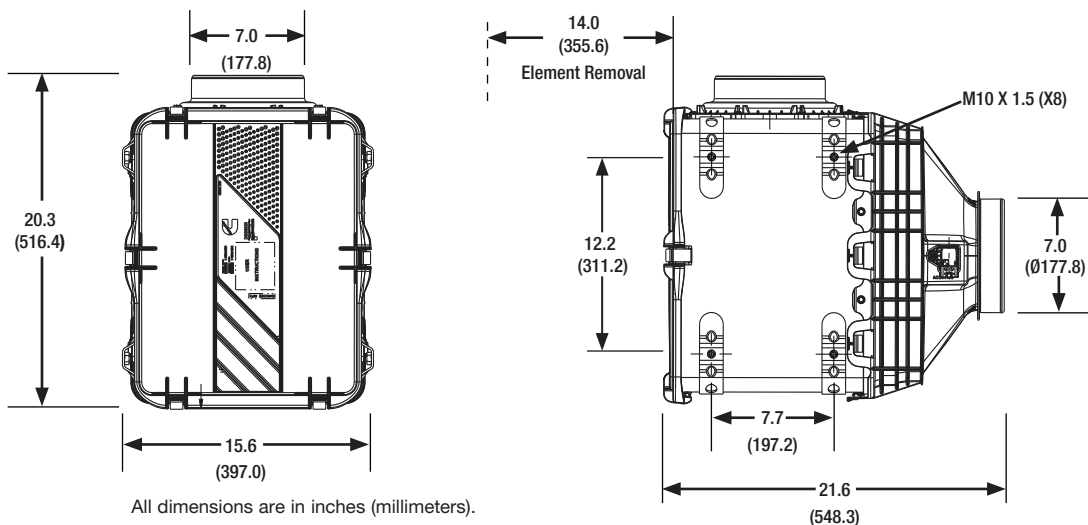
Specifications subject to change without notice.

## Dust Holding Capacity per Flow Rate

Specification	Non Aspirated	
	CFM	m <sup>3</sup> /min
Maximum Flow for 10 g/CFM (3500 g/m <sup>3</sup> /min)	520	14.7
Maximum Flow for 25 g/CFM (8750 g/m <sup>3</sup> /min)	N/A	N/A

## Dimensions

\* Indicates maximum recommended flow rate



All dimensions are in inches (millimeters).

## Ordering Information

Air Cleaners	
Part Number	Description
AH55589	Direct Flow - Short Side Inlet - With TBAP Sensor
AH55673	Direct Flow - Short Side Inlet - Without TBAP Sensor

TBAP - Temperature and Barometric Air Pressure

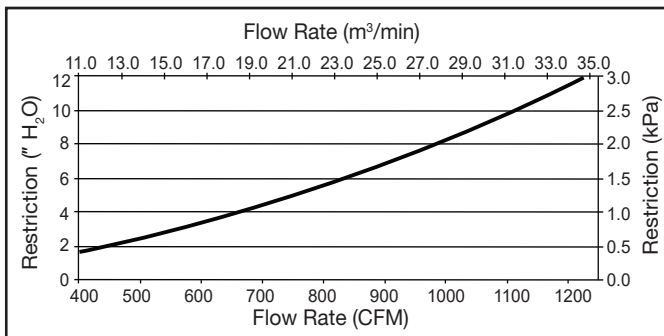
Service Parts	
Part Number	Description
AF55014	Primary Element (2 REQ)
AF55308	Secondary Element (2 REQ)
SP1013	Service Cover
SP1187	Service Cover Latches
SP1048	Dust Ejection Valve (DEV)

Optional Accessories	
Part Number	Description
3316663S	7" Band Clamp
3316613S	7" Hump Hose
3316586S	7" 45° Elbow
3316576S	7" 90° Elbow
3316624S	7" to 6" Hump Hose Reducer
3316593S	7" to 5.5" 90° Reducing Elbow
3316591S	7" to 5" 90° Reducing Elbow
3946329S	Restriction Indicator

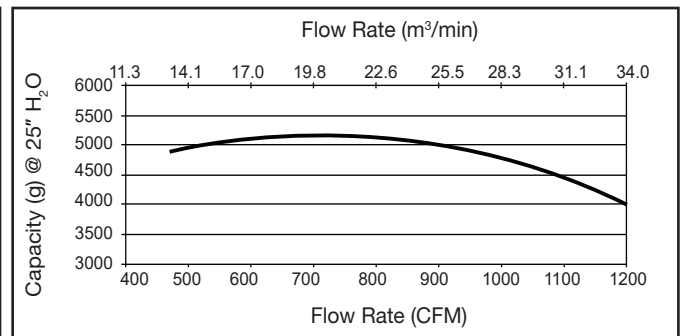
Additional sizes/shapes may be available.  
Refer to the Cummins Filtration catalog or website.

## Performance

### System Restriction vs Flow Rate

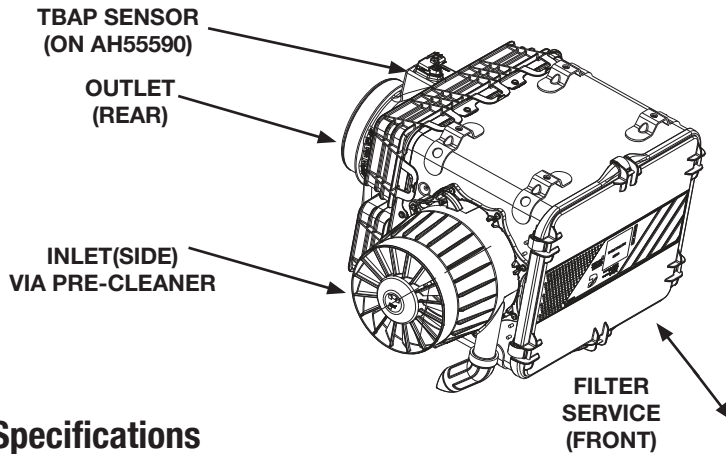


### System Capacity vs Flow Rate



Restriction		Flow Rate		Typical Capacity at 25" H <sub>2</sub> O (6.2 kPa) of Terminal Restriction
in H <sub>2</sub> O	kPa	CFM	m³/min	Non Aspirated (g)
4	1.0	660	18.7	5200
6	1.5	840	23.8	5100
8	2.0	980	27.8	4900
10	2.5	1110	31.4	4400
12	3.0	1225	34.7	3900

ISO Fine Dust  
1.0 g/m<sup>3</sup> Feed Rate  
25" H<sub>2</sub>O (6.2 kPa)  
Terminal Restriction  
per ISO 5011



## Specifications

Specification	AH55590 - AH55672
Length, Overall	21.6" (548.3 mm)
Width, Overall	26.1" (663.4 mm)
Height, Overall	15.6" (397.0 mm)
Flow, Min. at 2" H <sub>2</sub> O (0.5 kPa) Restriction	340 CFM (9.6 m <sup>3</sup> /min)
Flow, Max. at 12" H <sub>2</sub> O (3.0 kPa) Restriction	950 CFM (26.9 m <sup>3</sup> /min)
Secondary Element	Yes
Housing Material	Glass-Filled Polyamide
Pre-Cleaner	Yes
Inlet	Via Pre-Cleaner, 8" (203.0 mm)
Outlet	Straight, 7.0" (177.8 mm)
Filter Efficiency	≥ 99.90% per ISO 5011

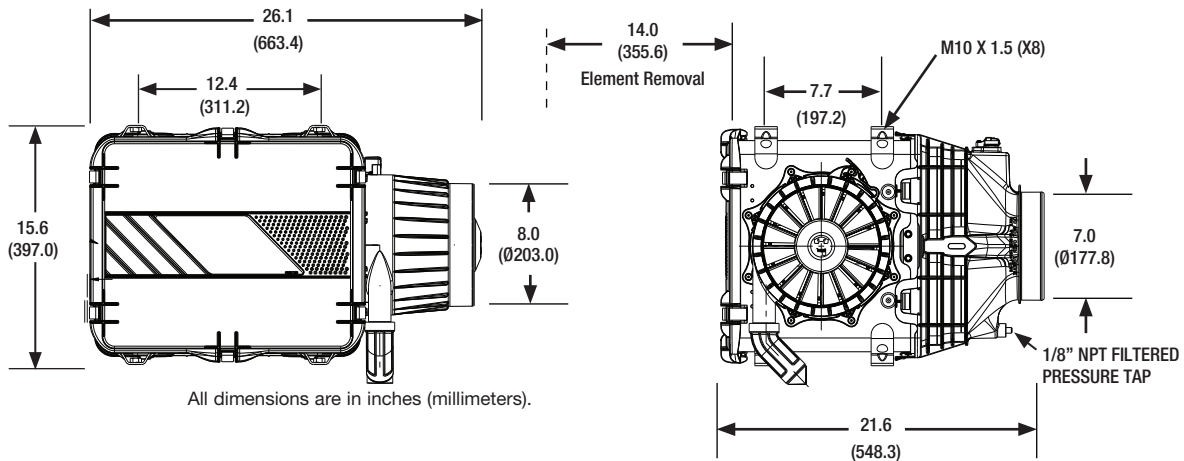
Specifications subject to change without notice.

## Dust Holding Capacity per Flow Rate

Specification	Aspirated		Non Aspirated	
	CFM	m <sup>3</sup> /min	CFM	m <sup>3</sup> /min
Maximum Flow for 10 g/CFM (3500 g/m <sup>3</sup> /min)	950*	26.9*	950*	26.9*
Maximum Flow for 25 g/CFM (8750 g/m <sup>3</sup> /min)	925	26.2	825	23.4

\* Indicates maximum recommended flow rate .

## Dimensions



All dimensions are in inches (millimeters).

## Ordering Information

Air Cleaners	
Part Number	Description
AH55590	Direct Flow - Integrated Pre-Cleaner - Short Side Inlet - With TBAP Sensor
AH55672	Direct Flow - Integrated Pre-Cleaner - Short Side Inlet - Without TBAP Sensor

TBAP -Temperature and Barometric Air Pressure

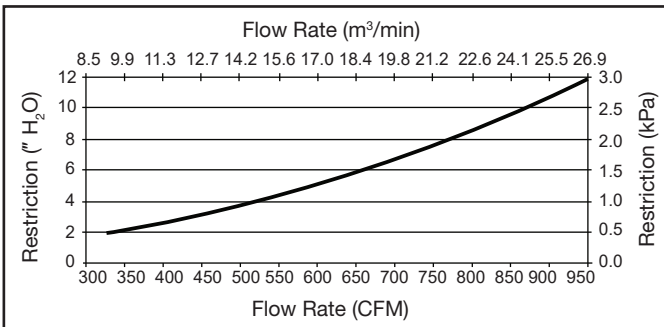
Service Parts	
Part Number	Description
AF55014	Primary Element (2 REQ)
AF55308	Secondary Element (2 REQ)
SP1013	Service Cover
SP1014	Pre-Cleaner with DEV
SP1048	Dust Ejection Valve (DEV)
SP1187	Service Cover Latches

Optional Accessories	
Part Number	Description
3316663S	7" Band Clamp
3316613S	7" Hump Hose
3316586S	7" 45° Elbow
3316576S	7" 90° Elbow
3316624S	7" to 6" Hump Hose Reducer
3316593S	7" to 5.5" 90° Reducing Elbow
3316591S	7" to 5" 90° Reducing Elbow
3946329S	Restriction Indicator

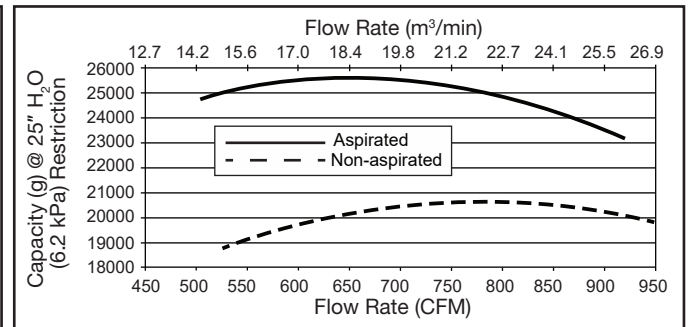
Additional sizes/shapes may be available.  
Refer to the Cummins Filtration catalog or website.

## Performance

### System Restriction vs Flow Rate



### System Capacity vs Flow Rate



Restriction		Flow Rate		Typical Capacity at 25" H <sub>2</sub> O (6.2 kPa) of Terminal Restriction	
in H <sub>2</sub> O	kPa	CFM	m³/min	Aspirated (g)	Non Aspirated (g)
4	1.0	575	16.3	25000	18900
6	1.5	660	18.7	25800	20100
8	2.0	770	21.8	25100	20700
10	2.5	870	24.6	23900	20500
12	3.0	950	26.9	22500	19900

ISO Coarse Dust  
2.0 g/m<sup>3</sup> Feed Rate  
25" H<sub>2</sub>O (6.2 kPa)  
Terminal Restriction  
per ISO 5011