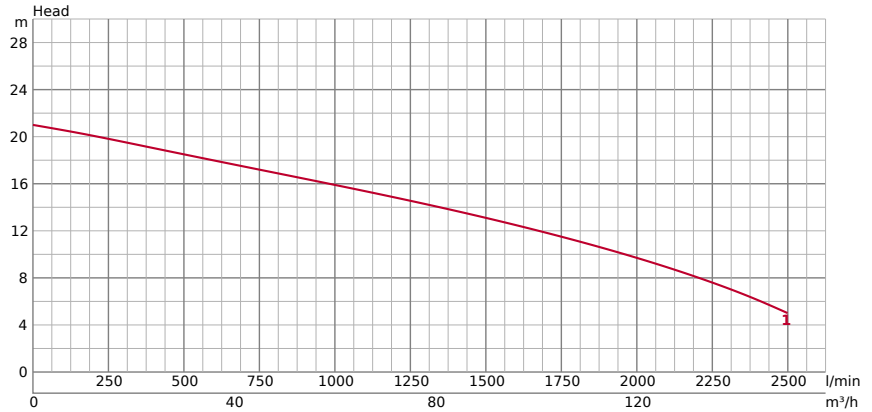


100CZ45.5



TECHNICAL INFORMATION

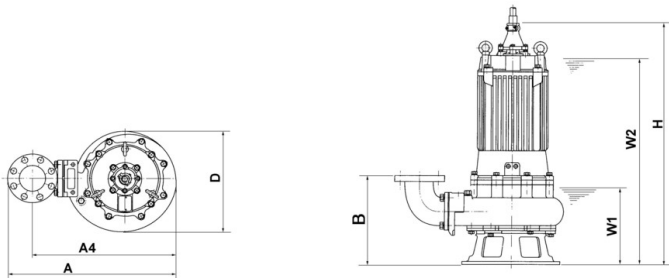
GENERAL	Ø Discharge bore mm	100mm	PUMPING FLUID	Type of Fluid	Sewage
	Discharge Connection	Inside thread, JIS10K flange		Temperature	0-40°C
PUMP	COMPONENTS		MATERIAL	Max. Solid Handling mm	35
	Impeller	Scissor Smasher		Max. PH Value	5-9
	Bearings	Shielded ball bearings		Max. Capacity l/min	2500
	Mechanical Seal	Dual mechanical seal in oil bath		Max. Head m	21
	Impeller	Ductile iron casting EN-GJS500			
	Casing	Grey iron casting EN-GJL-250			
	Suction Plate	Ductile iron casting EN-GJS-500-7			
	Pump Body	Grey iron casting EN-GJL-200			
	Mechanical Seal	Silicon Carbide			

TECHNICAL INFORMATION | Motor, Others on the next page →

MOTOR	Motor output kW	5,5	MATERIAL	
	Starting method	direct online	Frame	Grey iron casting EN-GJL-200
	Suitable for VFD	Yes	Shaft	Stainless steel EN-X30Cr13
	Suitable for Soft Starter	Yes	Cable	NSSHÖU 4C*2. 5mm ²
	Type, Poles	Induction motor, 4 poles, IP68	Cable Length	10m
	Insulation	Insulation class F		
	Phase / Voltage	3-phase / 400V / 50Hz		
	r.p.m.	1455		
	Motor Protector (built-in)	Circle thermal cut-out		
	Rated Current	12,1		

OTHERS	Dry Weight Kg	166
	Pressure Resistance	max. 30m

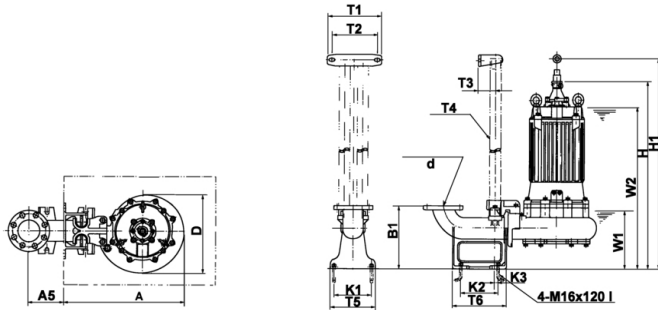
DIMENSIONS



DIMENSIONS - IN MM

A	685	D	410	W1	320
A4	580	H	930	W2	805
B	372				

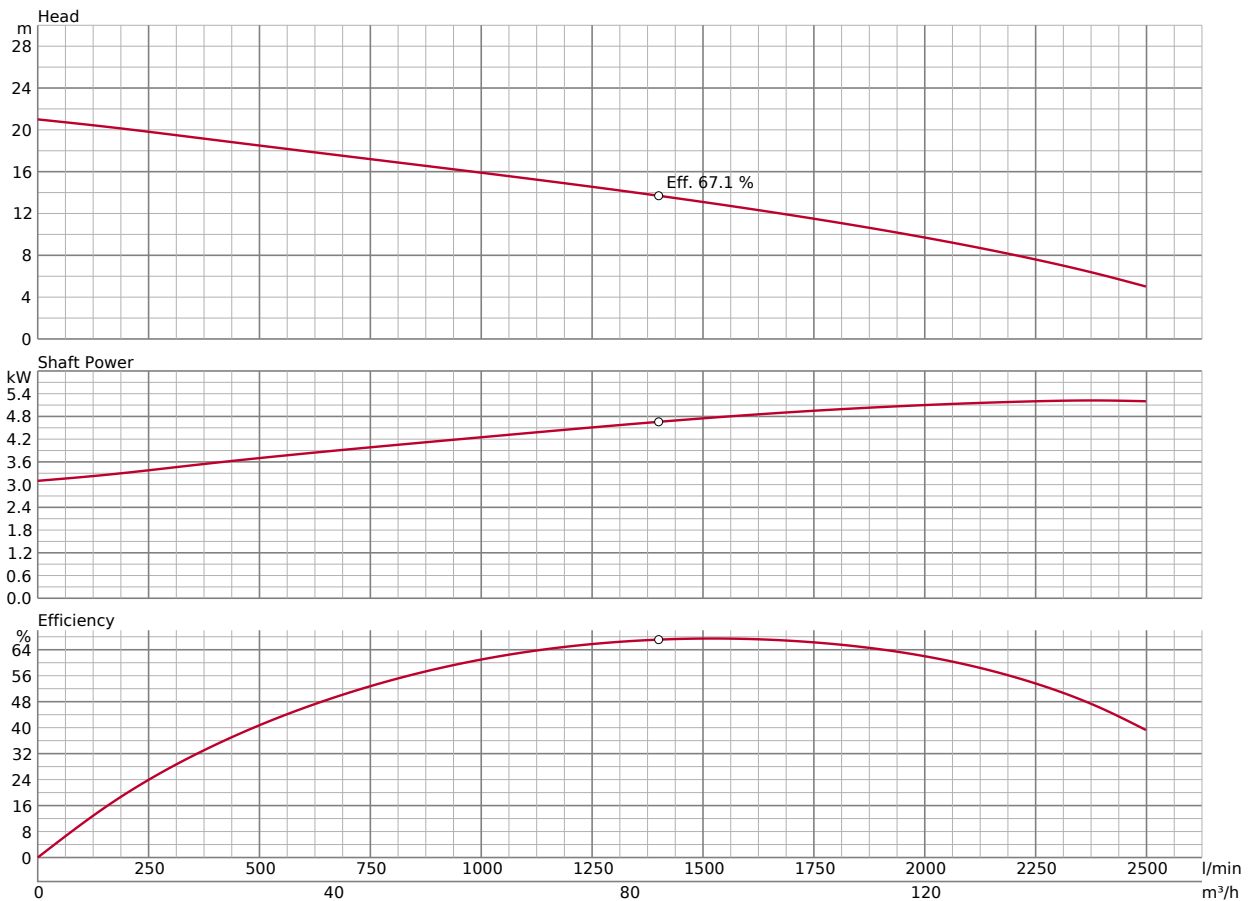
DIMENSIONS | GUIDE RAIL FITTING TYPE



DIMENSIONS | GUIDE RAIL FITTING TYPE - IN MM

A	700	H	927	W1	315
A5	181	H1	1289	W2	805
D	391				

PERFORMANCE CURVE



Please mind: discharge bend, duck foot bend and stand set are accessories and must be ordered separately

ACCESSORIES

MOTOR PROTECTION PLUGS **5571516000tu**

Plug with float connection CEE 16A

SPECIFICATIONS

Amperage Control	12,0A - 16,0A	IP	44
Cable Gland	M25		

Rocker switch ON/OFF (HAND/AUTO), motor protection with adjustment of the respective rated current, contactor max. 7,5kW, with phase inverter, operating display and rotation field check cable gland for float switch and Power cable Overload Protection: Aut



MOTOR PROTECTION PLUGS **5572516000tu**

Plug with float connection CEE 32A

SPECIFICATIONS

Amperage Control	12,0A - 16,0A	IP	44
Cable Gland	M32		

Rocker switch ON/OFF (HAND/AUTO), motor protection with adjustment of the respective rated current, contactor max. 7,5kW, with phase inverter, operating display and rotation field check cable gland for float switch and Power cable Overload Protection: Aut



FREE STAND INSTALLATION KIT **(U)XIBEND44T**

BEND 100-100

Discharge/elbow for vertical pumping



ACCESSORIES

FREE STAND INSTALLATION KIT **XISTAND** STAND SET

Device for free standing installation



GUIDE RAIL FITTING SYSTEM **(U)XTOS310TA** TOS3-100-100

TOS is the basic guide-rail fitting system for Tsurumi pumps up 150mm discharge bore.

