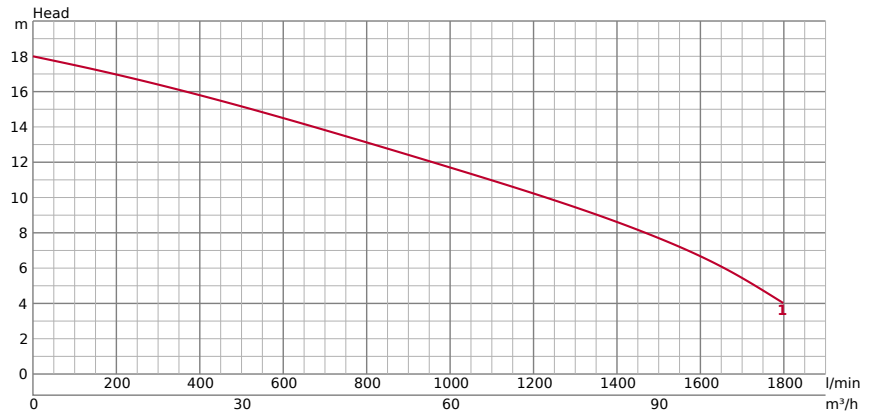


100CZ43.7



TECHNICAL INFORMATION

GENERAL			PUMPING FLUID		
	<b>∅ Discharge bore mm</b>	100mm	<b>Type of Fluid</b>	Sewage	
	<b>Discharge Connection</b>	Inside thread, JIS10K flange	<b>Temperature</b>	0-40°C	
			<b>Max. Solid Handling mm</b>	30	
			<b>Max. PH Value</b>	5-9	
			<b>Max. Capacity l/min</b>	1800	
			<b>Max. Head m</b>	18	

PUMP	COMPONENTS	MATERIAL
	<b>Impeller</b>	Scissor Smasher
	<b>Bearings</b>	Shielded ball bearings
	<b>Mechanical Seal</b>	Dual mechanical seal in oil bath
		<b>Impeller</b>
		Ductile iron casting EN-GJS500
		<b>Casing</b>
		Grey iron casting EN-GJL-250
		<b>Suction Plate</b>
		Ductile iron casting EN-GJS-500-7
		<b>Pump Body</b>
		Grey iron casting EN-GJL-200
		<b>Mechanical Seal</b>
		Silicon Carbide

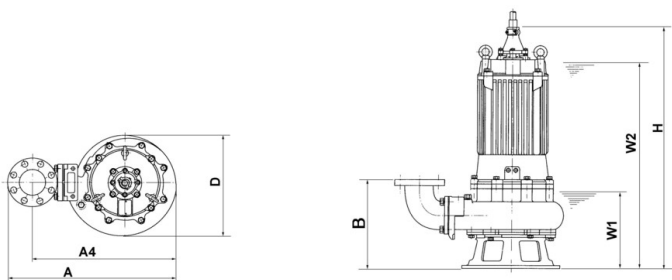
TECHNICAL INFORMATION | Motor, Others on the next page →

MOTOR	Motor output kW	3,7	MATERIAL	
	Starting method	direct online	Frame	Grey iron casting EN-GJL-200
	Suitable for VFD	Yes	Shaft	Stainless steel EN-X30Cr13
	Suitable for Soft Starter	Yes	Cable	NSSHÖU 4C*1. 5mm <sup>2</sup>
	Type, Poles	Induction motor, 4 poles, IP68	Cable Length	10m
	Insulation	Insulation class F		
	Phase / Voltage	3-phase / 400V / 50Hz		
	r.p.m.	1411		
	Motor Protector (built-in)	Circle thermal cut-out		
	Rated Current	8,3		

OTHERS	Dry Weight Kg	92
	Pressure Resistance	max. 30m

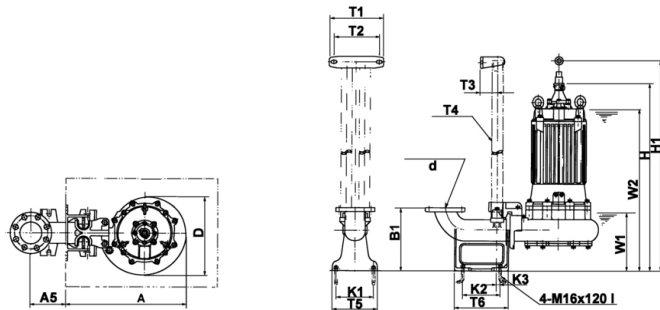
## DIMENSIONS



### DIMENSIONS - IN MM

<b>A</b>	629	<b>D</b>	341	<b>W1</b>	245
<b>A4</b>	524	<b>H</b>	708	<b>W2</b>	670
<b>B</b>	342				

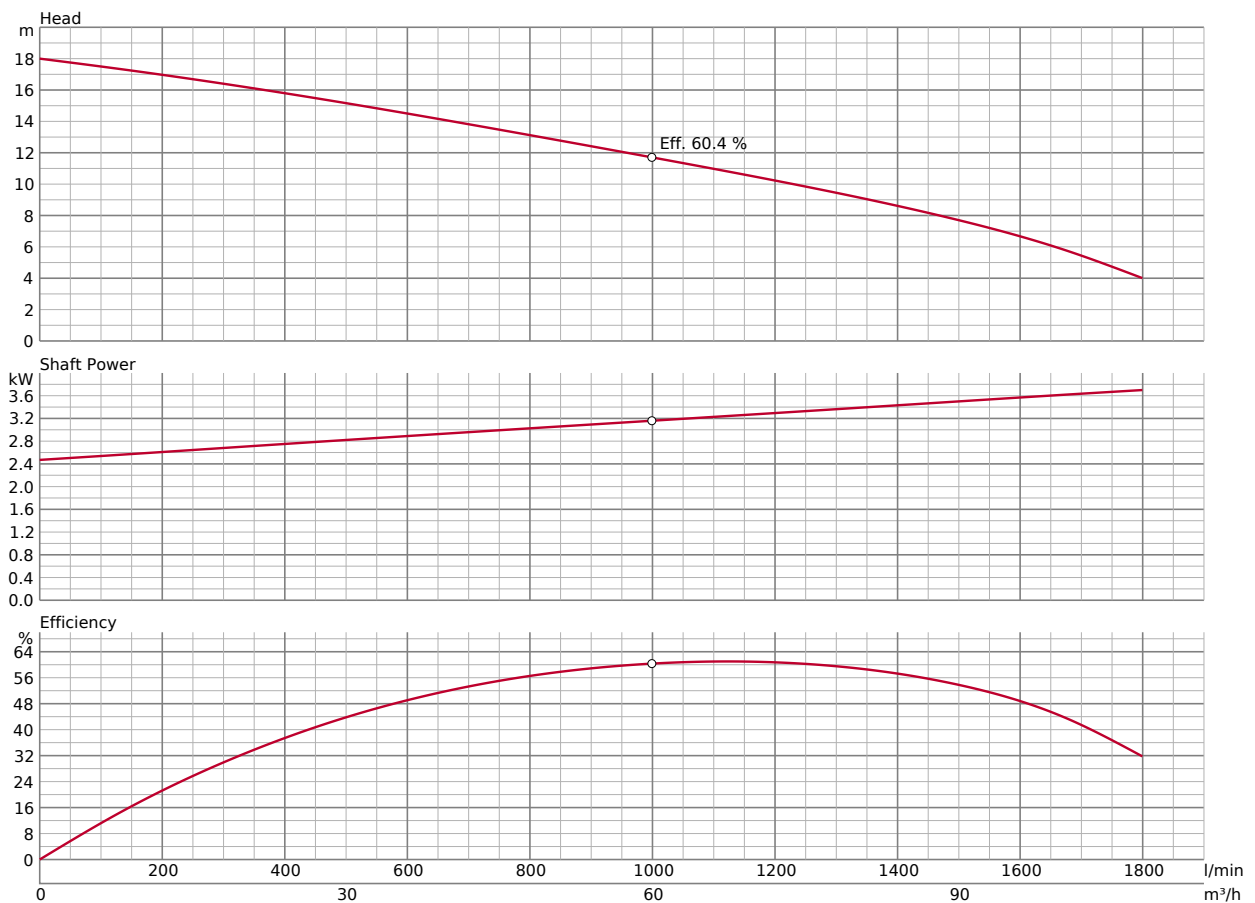
**DIMENSIONS | GUIDE RAIL FITTING TYPE**



**DIMENSIONS | GUIDE RAIL FITTING TYPE - IN MM**

<b>A</b>	517	<b>H</b>	709	<b>W1</b>	245
<b>A5</b>	165	<b>H1</b>	832	<b>W2</b>	670
<b>D</b>	334				

**PERFORMANCE CURVE**



Please mind: discharge bend, duck foot bend and stand set are accessories and must be ordered separately

## ACCESSORIES

### FREE STAND INSTALLATION KIT (U)XIBEND4T BEND 80-100

Discharge/elbow for vertical pumping



### FREE STAND INSTALLATION KIT XISTN4A1 STAND SET 4 A (\*5)

Device for free standing installation

### GUIDE RAIL FITTING SYSTEM (U)XITOS381TA TOS3-80-100

TOS is the basic guide-rail fitting system for Tsurumi pumps up 150mm discharge bore.

