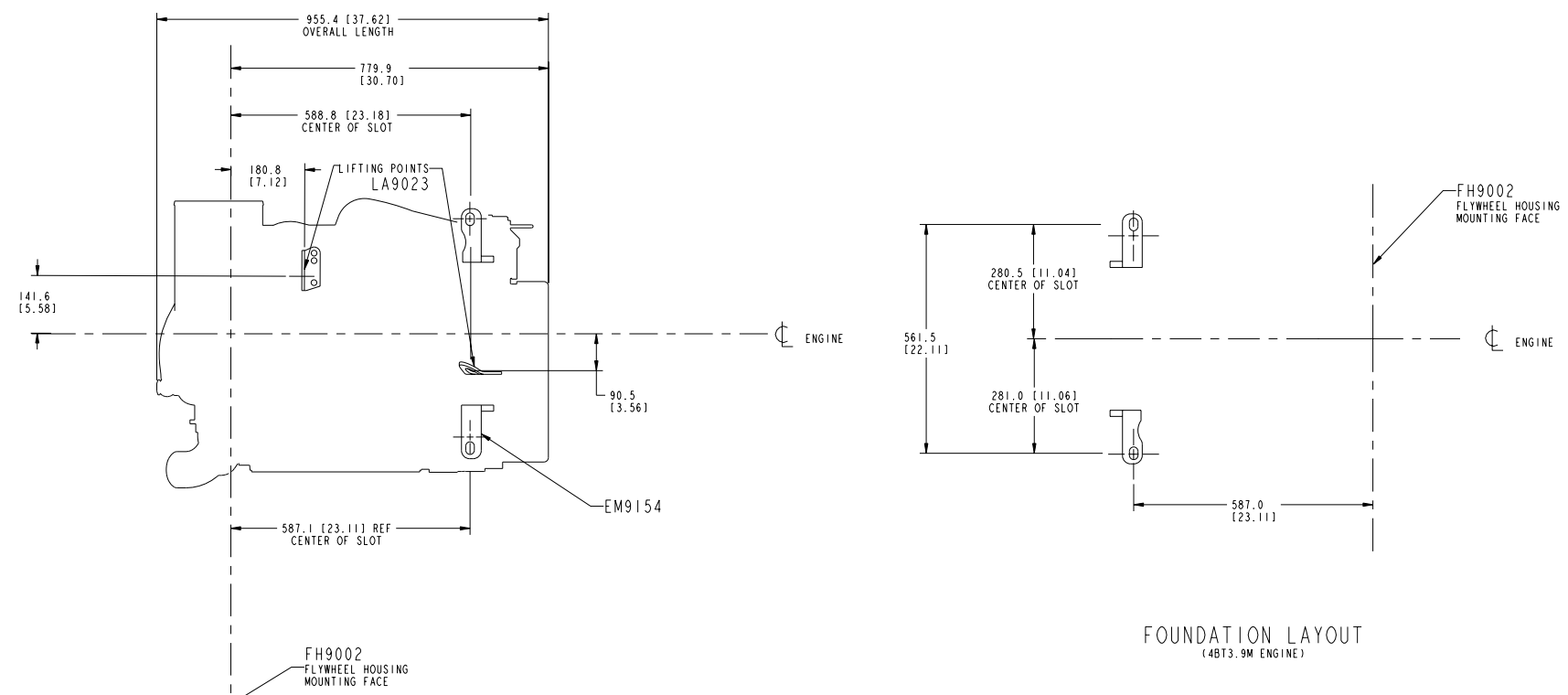


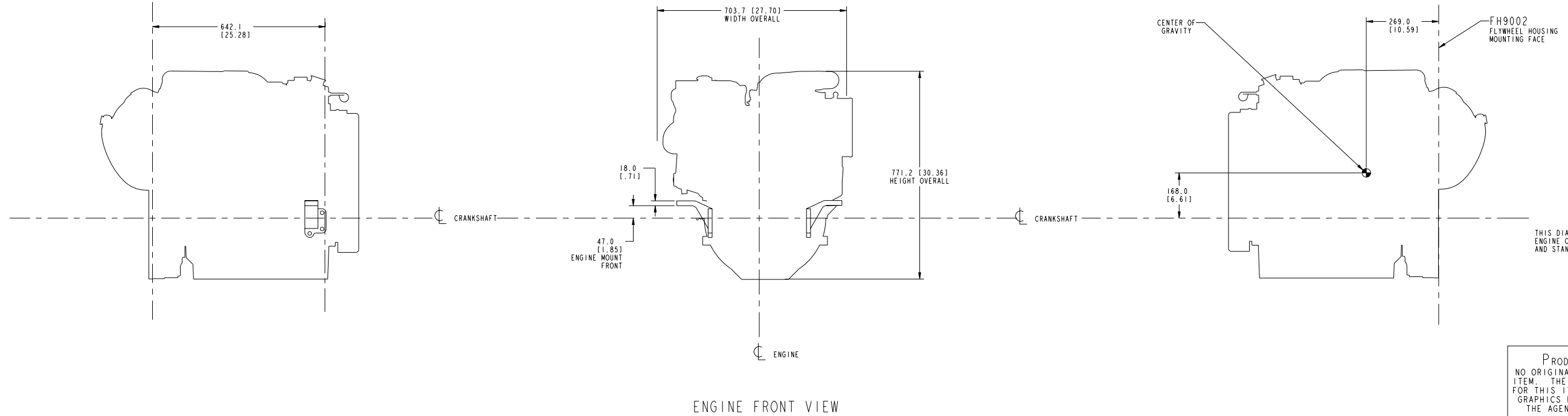
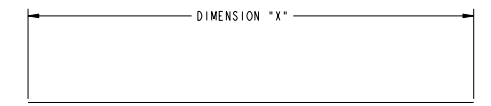
ITEM NUMBER  
3884676

REVISIONS			
ZONE	REV	DESCRIPTION	APP'D



TO DETERMINE THE SCALE AT WHICH THE DRAWING WAS PLOTTED, MEASURE THE LENGTH OF THE LINE "X", AND COMPARE TO THE CHART BELOW. IF DESIRED, YOU MAY THEN ENLARGE OR REDUCE, BY USE OF PHOTOCOPIER, TO THE OTHER SCALES TO SUIT YOUR NEEDS.

LINE "X" LENGTH	CURRENT SCALE
1000mm	FULL
250mm	1:4
200mm	1:5
125mm	1:8
100mm	1:10
85mm	1:12
62mm	1:16
50mm	1:20
42mm	1:24



THIS DIAGRAM IS BASED ON ENGINE CONFIGURATION D382013MX02 AND STANDARD PRICE SPEC NO. 989

PRODUCT GRAPHICS FILE  
NO ORIGINAL DRAWING EXISTS FOR THIS ITEM. THE ENGINEERING GRAPHICS DATA FOR THIS ITEM RESIDES IN THE PRODUCT GRAPHICS FILE AND IS CONTROLLED BY THE AGENCY DESIGNATED AS HAVING ITEM CONTROL.

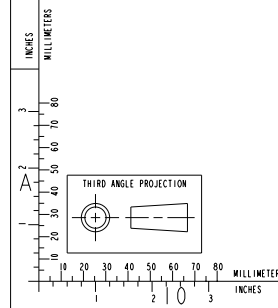
**METRIC**

DO NOT SCALE THIS DRAWING

**PRELIMINARY UNCHECKED**

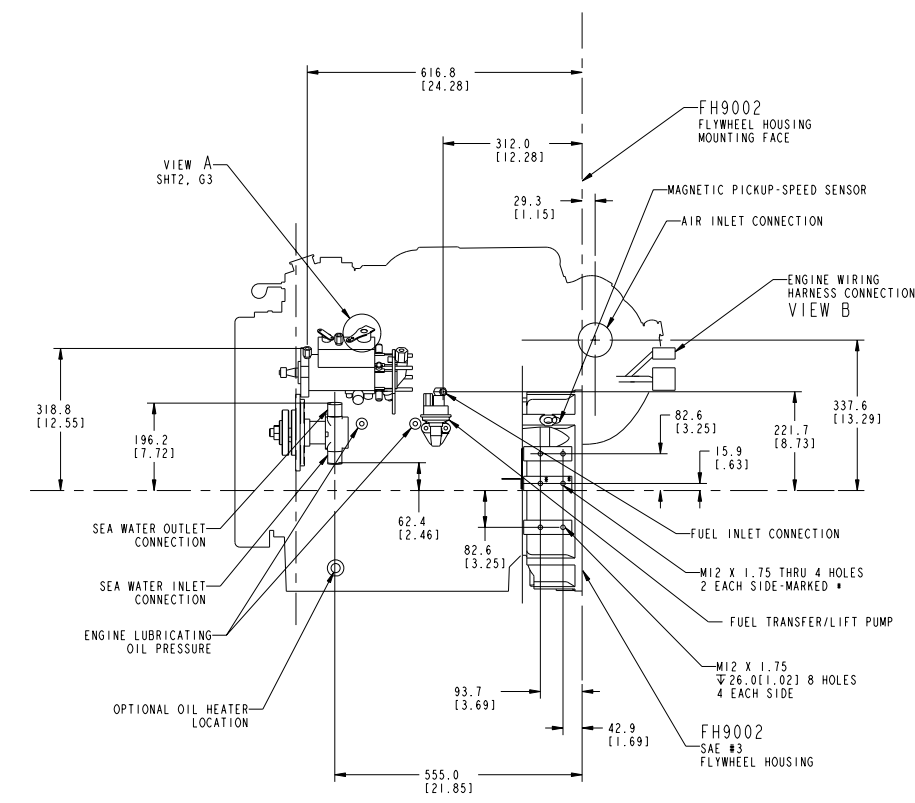
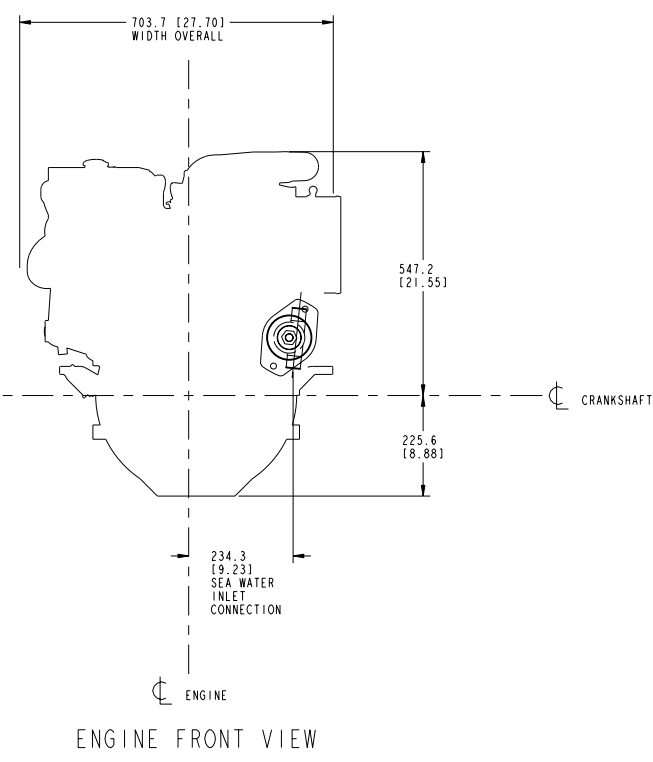
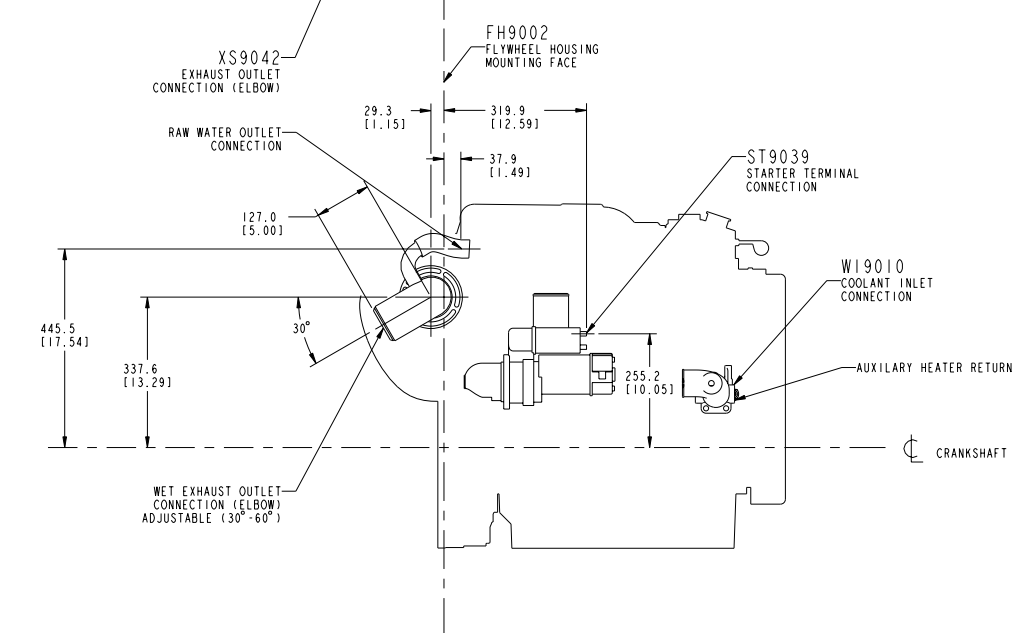
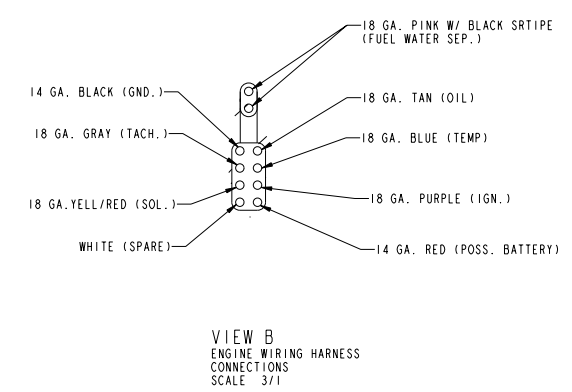
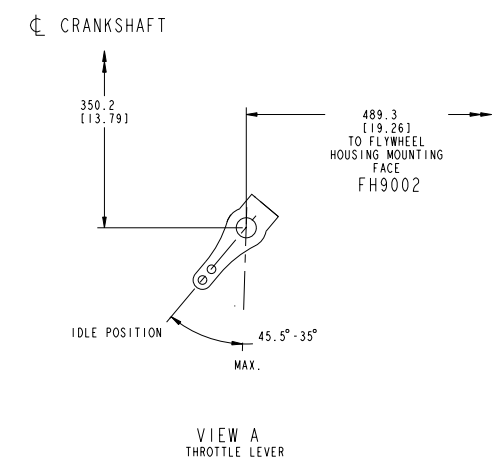
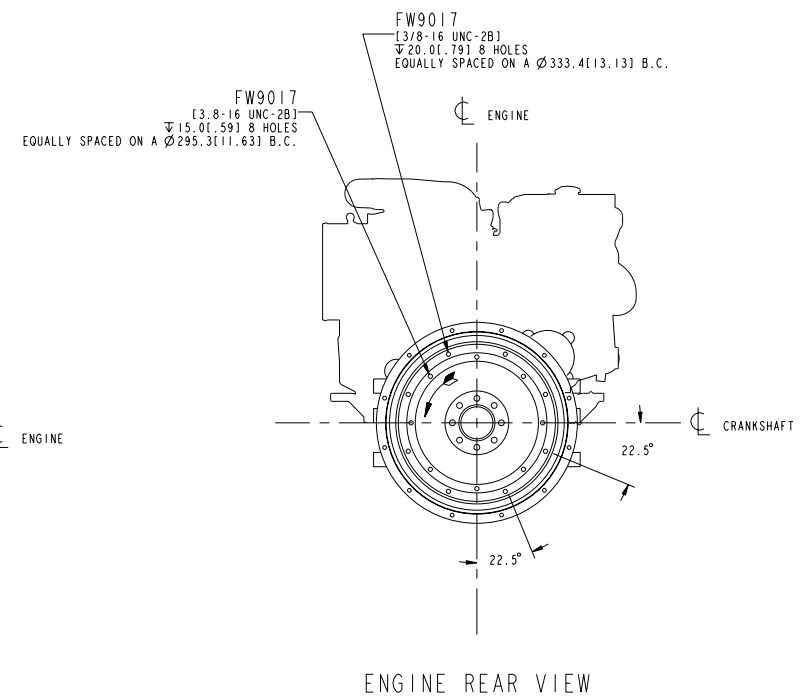
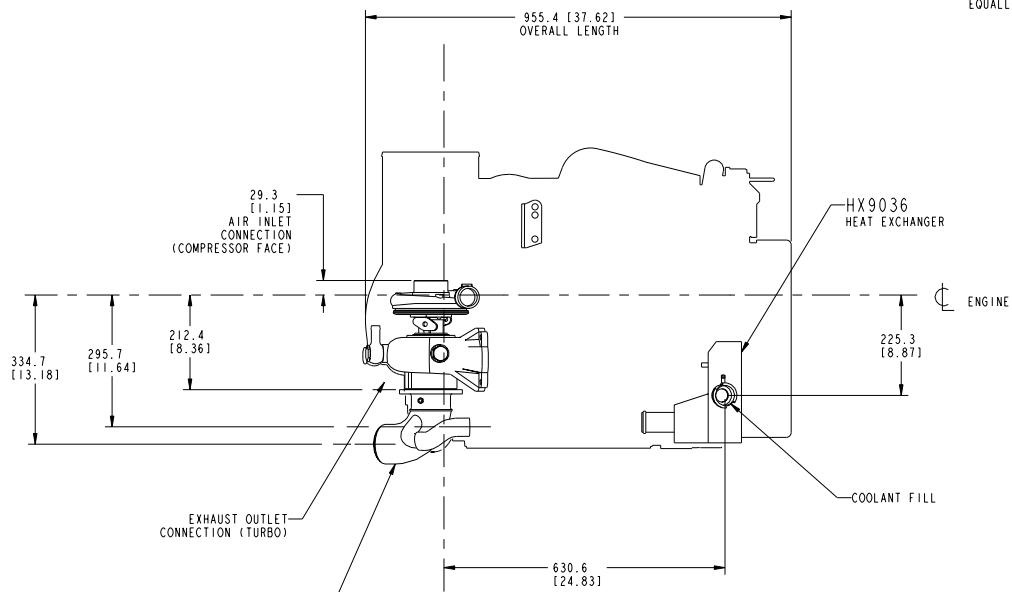
THIS DRAWING/DATA FILE (AND THE INFORMATION SHOWN THEREON) IS CONFIDENTIAL AND PROPRIETARY AND SHALL NOT BE USED, DISCLOSED TO OTHERS, OR REPRODUCED BY ANY MEANS FOR ANY PURPOSE IN HARD COPY FORM OR IN MACHINE READABLE FILES, WITHOUT WRITTEN CONSENT OF CUMMINS ENGINE COMPANY, INC., MARKETING CAD SERVICES DEPARTMENT.

LAST SECTION LETTER USED:	REF. DRAWING STANDARDS: ANSI Y14.5M ISO 81101	CUMMINS ENGINE COMPANY, INC.
UNLESS OTHERWISE SPECIFIED DIMENSIONS ARE IN: MILLIMETERS ( ) ARE IN: INCHES	ITEM NAME: 4BT3.9M (150, 150, 130HP)	IDENTIFIER: INSTALLATION DIAGRAM
DWN: CHD	CDY/B. FAULKNER	SIZE: J
APPD: APPD	COOLED	ITEM NUMBER: 3884676
APPD: APPD	SCALE: 1:5	ITEM CONTROL: SHEET 1 OF 3

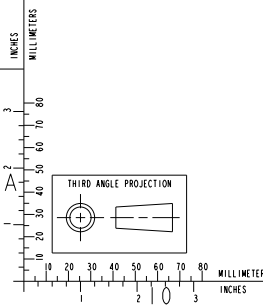


ITEM NUMBER  
3884676

REVISIONS		DATE	APP'D



ENGINE INSTALLATION CONNECTIONS	
AIR CLEANER CONNECTION: Ø76.2 [3.00]	MAGNETIC PICKUP SPEED SENSOR: [3/4-16 UNF-2B]
AUXILIARY WEATHER SUPPLY	MARINE GEAR COOLER INLET: INLET AND OUTLET: [1/2-14 NPTF]
AUXILIARY HEATER RETURN: [1/2-14 NPTF]	OIL PRESSURE: 2X [1/8-27 NPTF]
EXHAUST OUTLET CONNECTION (TURBO): Ø63.0 [2.48] ID	SEAWATER INLET: Ø50.8 [2.00] OD ROTATABLE
EXHAUST OUTLET CONNECTION (ELBOW): Ø88.9 [3.50] OD	
FRONT ENGINE SUPPORT: 2X 21.0 [0.83] X 31.0 [1.22]	
FUEL DRAIN TO TANK CONNECTION: [3/8-18 NPTF]	
FUEL INLET CONNECTION: [1/2-14 NPTF]	
COOLANT TEMPERATURE: [1/2-14 NPTF]	



**PRELIMINARY UNCHECKED**

**METRIC**

DO NOT SCALE THIS DRAWING

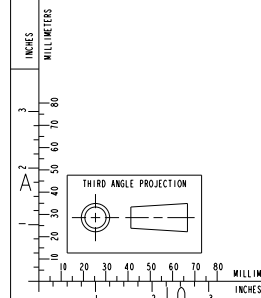
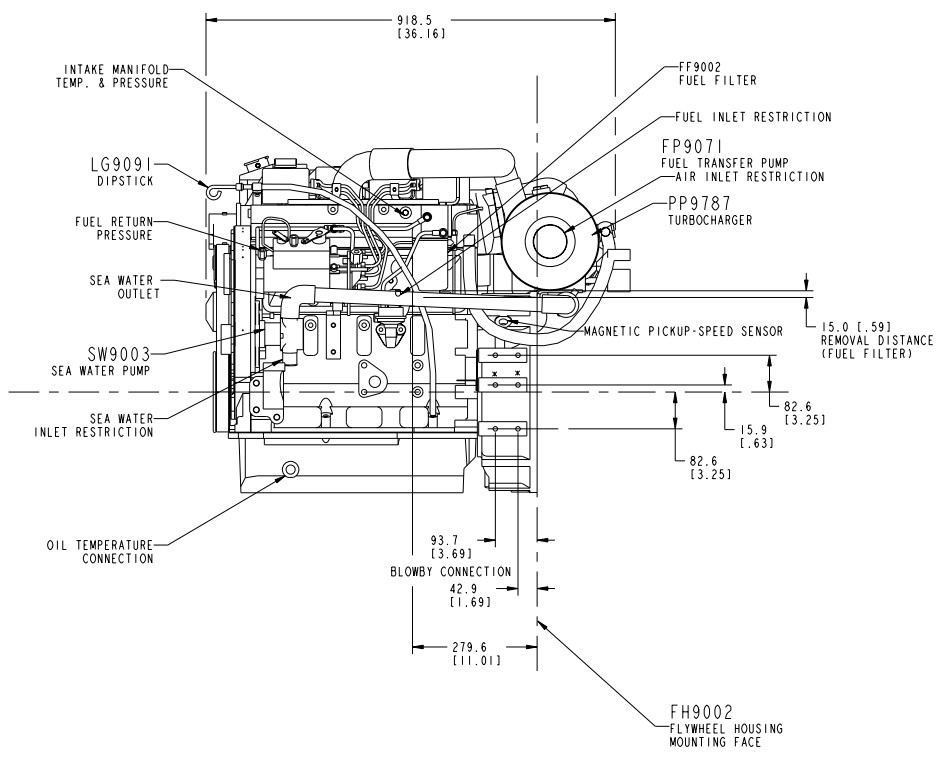
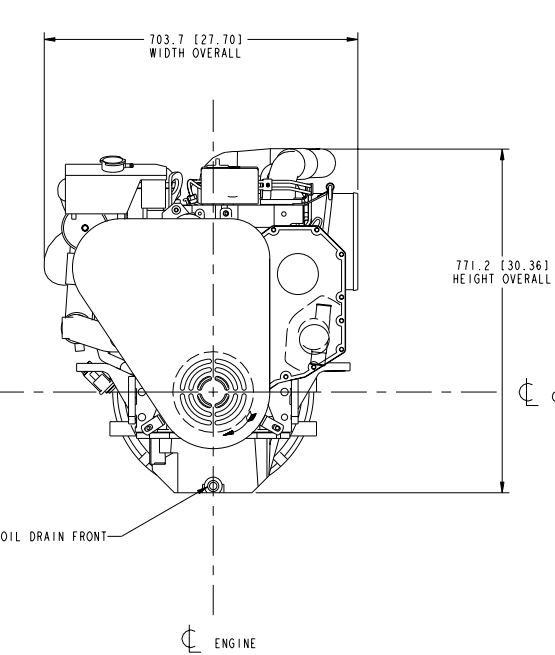
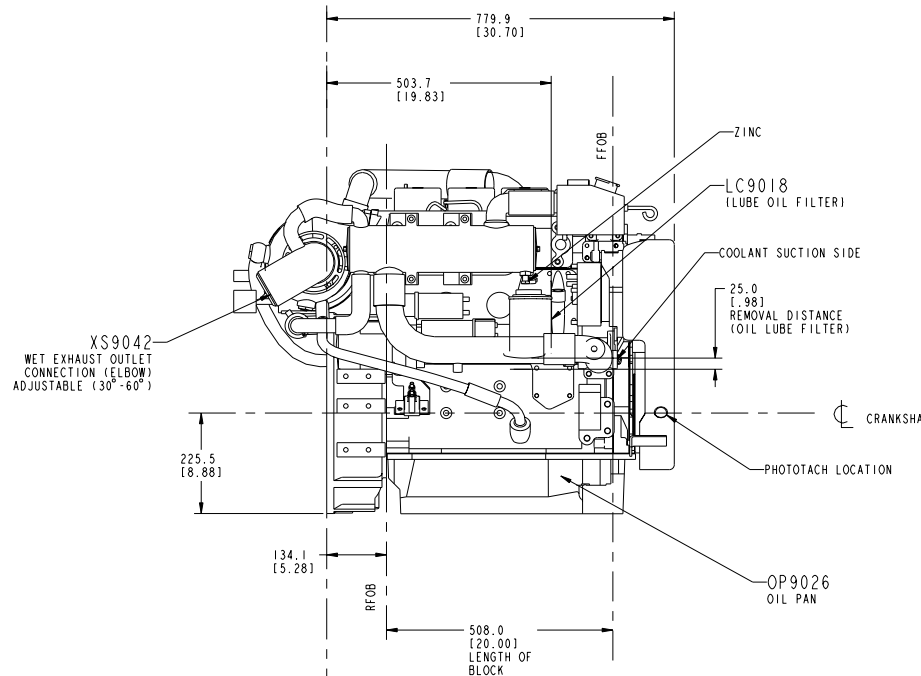
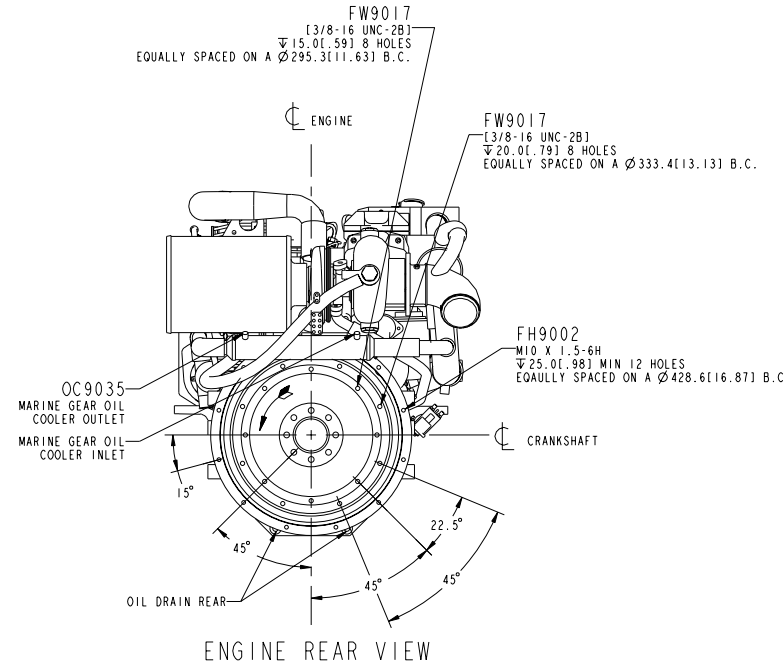
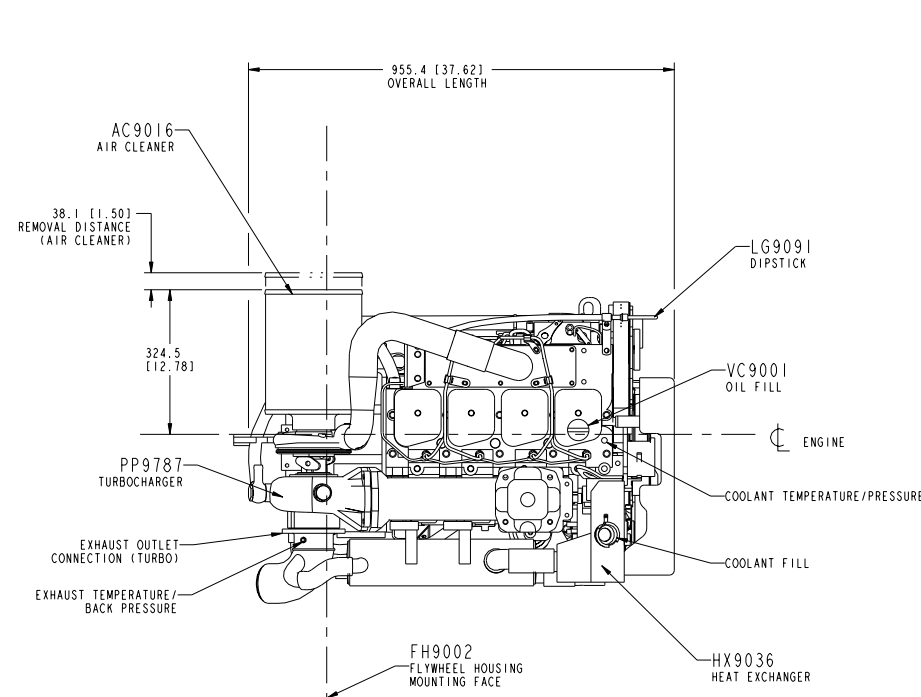
THIS DRAWING/DATA FILE (AND THE INFORMATION SHOWN THEREON) IS CONFIDENTIAL AND PROPRIETARY AND SHALL NOT BE USED, DISCLOSED TO OTHERS, OR REPRODUCED BY ANY MEANS FOR ANY PURPOSE IN HARD COPY FORM OR IN MACHINE READABLE FILES, WITHOUT WRITTEN CONSENT OF CUMMINS ENGINE COMPANY, INC., MARKETING CAD SERVICES DEPARTMENT.

PRODUCT GRAPHICS FILE  
NO ORIGINAL DRAWING EXISTS FOR THIS ITEM. THE ENGINEERING GRAPHICS DATA FOR THIS ITEM RESIDES IN THE PRODUCT GRAPHICS FILE AND IS CONTROLLED BY THE AGENCY DESIGNATED AS HAVING ITEM CONTROL.

LAST SECTION LETTER USED:	REF. DRAWING STANDARDS: ANSI Y14.5M ISO 81101	CUMMINS ENGINE COMPANY, INC.
UNLESS OTHERWISE SPECIFIED DIMENSIONS ARE IN: MILLIMETERS ( ) ARE IN: INCHES	ITEM NAME: 4BT3.9M (155, 150, 130HP)	IDENTIFIER:
DWN: CHD BY: B. FAULKNER 12/2/11	SIZE: COOLING SYSTEM ITEM NUMBER: J HEAT EXCHANGER COOLED	ITEM NUMBER: 3884676
APPD:	SCALE: 1:5	ITEM CONTROL: SHEET 2 OF 3

ITEM NUMBER  
3884676

REVISIONS			
ZONE	REV	DESCRIPTION	APP'D



ENGINE SERVICE DIAGNOSTIC/MONITORING TEST PORTS		
AIR INLET RESTRICTION: $\varnothing$ 76.2 [3.00] ID	FUEL RETURN PRESSURE: [1/2-20 UNF-2A]	SEAWATER OUTLET PRESSURE: [1/4-18 NPTF]
BLOWBY CONNECTION: $\varnothing$ 15.8[0.62] ID HOSE	INTAKE MANIFOLD TEMPERATURE: [1/2-14 NPTF]	
BOOST PRESSURE: 2X [1/8 NPTF]	INTAKE MANIFOLD PRESSURE: [1/2-14 NPTF]	
BOOST TEMPERATURE: [1/8 NPTF]	MAGNETIC PICKUP-SPEED SENSOR: [3/4-16 UNF-2B]	
COOLANT SUCTION SIDE: [3/4-14 NPTF]	OIL PRESSURE: 2X [1/8-27 NPTF S2]	
COOLANT PRESSURE SIDE: [1/2-14 NPTF]	OIL DRAIN FRONT: M18 X 1.50-6H	
COOLANT TEMPERATURE: [1/2-14 NPTF]	OIL DRAIN REAR: 2 X [9/16-18 UNF-2B]	
EXHAUST TEMPERATURE/BACK PRESSURE: [1/8-27 NPTF S2]	PHOTOTACH LOCATION	
FUEL INLET RESTRICTION: [1/4-18 NPTF]	SEAWATER INLET RESTRICTOR: [1/4-18 NPTF]	

**PRELIMINARY UNCHECKED**

**METRIC**

DO NOT SCALE THIS DRAWING  
THIS DRAWING/DATA FILE (AND THE INFORMATION SHOWN THEREON) IS CONFIDENTIAL AND PROPRIETARY AND SHALL NOT BE USED, DISCLOSED TO OTHERS, OR REPRODUCED BY ANY MEANS FOR ANY PURPOSE IN HARD COPY FORM OR IN MACHINE READABLE FILES, WITHOUT WRITTEN CONSENT OF CUMMINS ENGINE COMPANY, INC., MARKETING CAD SERVICES DEPARTMENT.

PRODUCT GRAPHICS FILE  
NO ORIGINAL DRAWING EXISTS FOR THIS ITEM. THE ENGINEERING GRAPHICS DATA FOR THIS ITEM RESIDES IN THE PRODUCT GRAPHICS FILE AND IS CONTROLLED BY THE AGENCY DESIGNATED AS HAVING ITEM CONTROL.

LAST SECTION LETTER USED:	REF. DRAWING STANDARDS: ANSI Y14.5M ISO 81101	CUMMINS ENGINE COMPANY, INC.
UNLESS OTHERWISE SPECIFIED DIMENSIONS ARE IN: MILLIMETERS ( ) ARE IN: INCHES	ITEM NAME: 4BT3.9M (155, 150, 130HP)	IDENTIFIER: J
DWN: CHD	SIZE: COOLING SYSTEM	ITEM NUMBER: 3884676
APPD: APPD	SCALE: 1:5	ITEM CONTROL: SHEET 3 OF 3