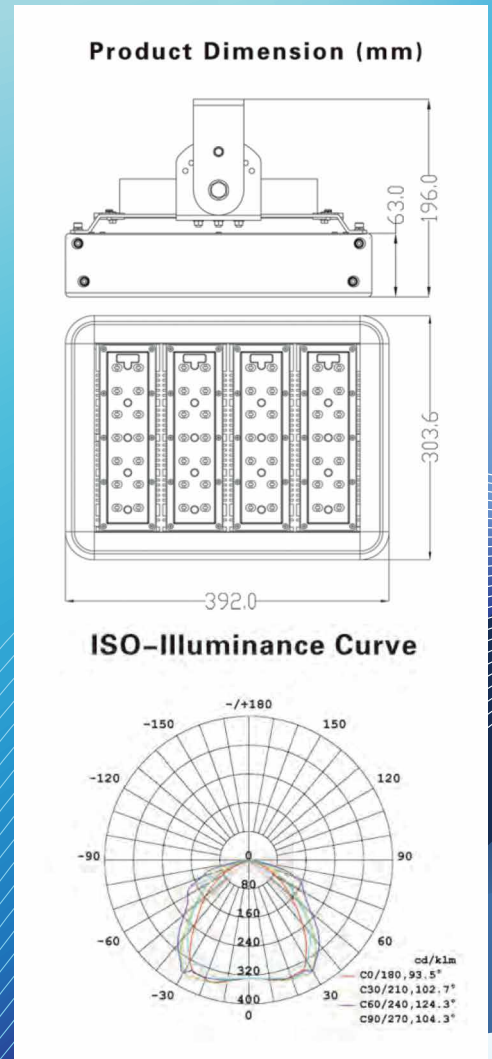


# 200W High Output LED Flood Light

A high output LED flood light ideal for area lighting.

- Integrated ballast / driver
- 5000K cool white colour temperature
- Average life of 50,000 hours
- Tough non-corrosive aluminium die-cast housing
- Rated IP66 - ideal for outdoor use
- 5 year warranty
- Adjustable tilt and turn bracket



PRODUCT CODE	VOLTAGE	WATTAGE	LUMENS	BEAM ANGLE	WEIGHT
LED/FLOOD/200W/5K	120-277V 50/60Hz	200W	22,000	100 x 120°	7.15Kg

TOTAL EQUIPMENT SOLUTIONS

ELECTRICAL SPECIFICATIONS	
LED Power:	200W
Operating Voltage:	90-305V AC
Operating Temperature:	-40°C ~ 50°C
Operating Humidity:	10% ~ 90%
Power Factor (PF):	>0.95
Power Supply Efficiency:	>90%
PHOTOMETRIC SPECIFICATIONS	
Initial Luminous Flux:	22,000lm
Colour Rendering Index (CRI):	Ra > 70 (>80 optional)
Colour Temperature:	5,000 - 6,500K
MECHANICAL SPECIFICATIONS	
IP & IK Rating	IP67 & IK10
Lifetime	50,000 hours - L70, @25°C
Heat Radiator	Anodised Aluminium
Lens	PC (Polycarbonate)
Fixture Dimension	304 x 392mm



The Philips LUXEON® T emitters are illumination grade LEDs designed to deliver high efficacy with high flux density to enable right beam control in directional and high lumen applications.

**4 way and 6 way IP65 connection lead sets to distribute light at mast head**

**4-Way Spider**

**6-Way Spider**

TOTAL EQUIPMENT SOLUTIONS